

## Spring Plungers · with internal hexagon

22060.0712



### Product Description

Spring plungers can be used for locating or for applying pressure, as a detent or for ejection.

#### Material

- Pin**
- Thermoplastic POM, white
- Body**
- Stainless steel 1.4305
- Spring**
- Stainless steel

#### Assembly

Spring plungers can be mounted and removed by means of the slot or internal hexagon. Please use a special assembly tool for mounting with a slot (pin side).

#### Characteristic

Standard spring load: no marking



Standard spring load



Heavy spring load

#### More information

#### Notes

Customized design on request.  
Spring plungers are specially tested for spring range and forces.

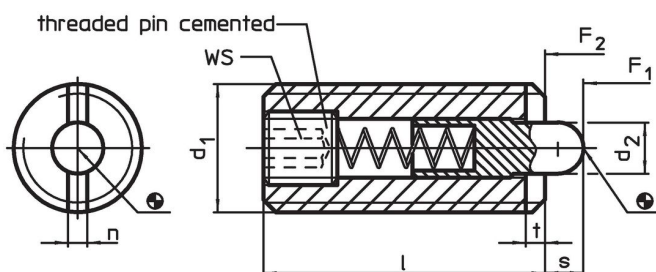
#### References

Thread lock on request, please refer to appendix - Technical Data -

#### Further products

- Spring Plungers, with internal hexagon and seal
- Holders, for spring plungers

### Drawing

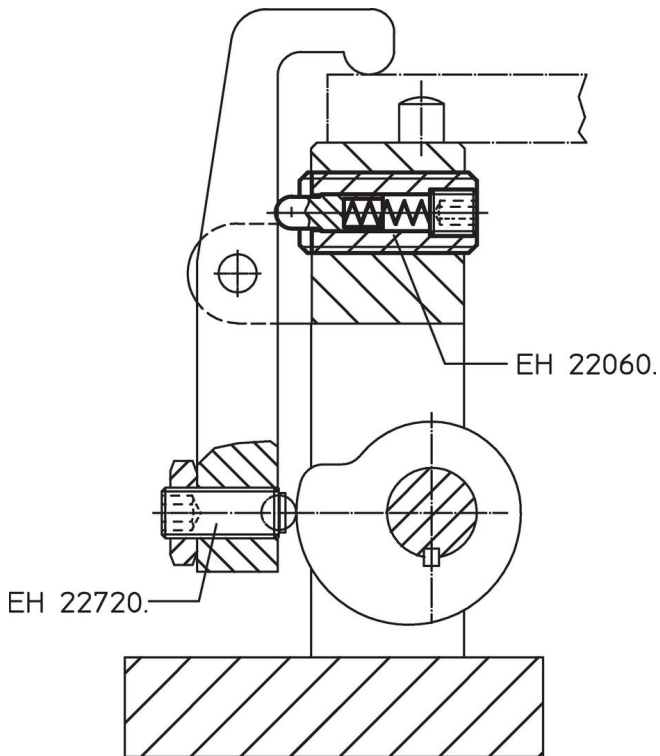


### Order information

Dimensions					WS	Stroke s	Spring load <sup>1)</sup>		Temperature		Weight [g]	Art. No.
$d_1$	$d_2$	l	n	t			$F_1$ ~	$F_2$ ~	min.	max.		
[mm]					[mm]	[mm]	[N]		[°C]			
stainless steel, pin from thermoplastic, heavy spring load												
M12	6	28	2.7	2	4	4	51	122	-30	50	20	22060.0712

<sup>1)</sup> statistical average value

## Application example



## Compliance

### RoHS compliant

Compliant according to Directive 2011/65/EU and Directive 2015/863.

### Does not contain SVHC substances

No SVHC substances with more than 0.1% w/w contained - SVHC list [REACH] as of 27.06.2024.

### Does not contain Proposition 65 substances

No Proposition 65 substances included.

<https://www.P65Warnings.ca.gov/>

### Free from Conflict Minerals

This product does not contain any substances designated as "conflict minerals" such as tantalum, tin, gold or tungsten from the Democratic Republic of Congo or adjacent countries.