

## Star Grips · plastic

### 24750.0037



#### Product Description

##### Material

###### Cap

- Thermoplastic PA, orange similar to RAL 2004

###### Handle

- Thermoplastic PA 6, black similar to RAL 9005

###### Threaded bushing

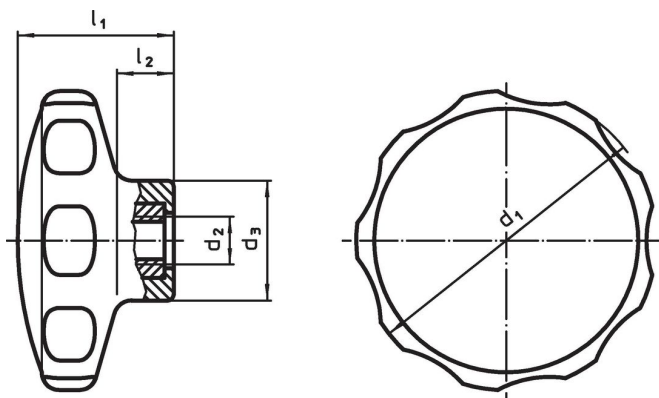
- Stainless steel

#### More information

##### Notes

Customized designs, e.g. differing threads, on request.

#### Drawing



#### Order information

Dimensions					min.	max.	[g]	Art. No.
d <sub>1</sub>	d <sub>2</sub>	d <sub>3</sub> [mm]	l <sub>1</sub>	l <sub>2</sub>				
orange								
30	M5	14	19	7	-30	80	5.7	24750.0037

#### Compliance

##### RoHS compliant

Compliant according to Directive 2011/65/EU and Directive 2015/863.

##### Does not contain SVHC substances

No SVHC substances with more than 0.1% w/w contained - SVHC list [REACH] as of 27.06.2024.

##### Does not contain Proposition 65 substances

No Proposition 65 substances included.

<https://www.P65Warnings.ca.gov/>

##### Free from Conflict Minerals

This product does not contain any substances designated as "conflict minerals" such as tantalum, tin, gold or tungsten from the Democratic Republic of Congo or adjacent countries.