

## Handwheels • similar to DIN 950, stainless steel

24591.0105



### Product Description

Hub machined; rim turned and mirror-finished on all sides, non-machined surfaces cleanly blasted.

### Material

**Handwheel**  
• Stainless steel A4

### Assembly

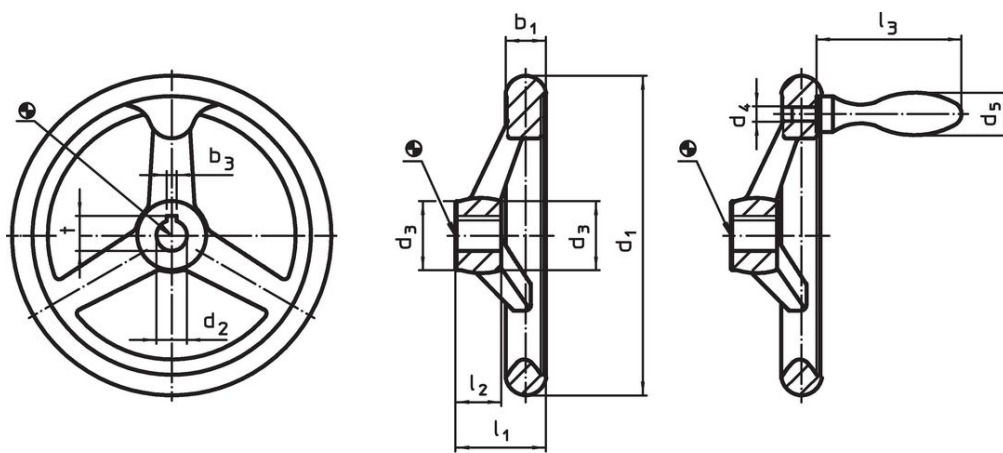
Shaft-end washers EH 22270. for axial fastening.

### More information

### Further products

• Shaft-End Washers

## Drawing




picture 1

picture 2

The orientation of the hub keyway may be different than shown in the drawing.

## Order information

Dimensions					Hub keyway, DIN 6885 sheet 1		Number of spokes		Art. No.
d <sub>1</sub>	d <sub>2</sub> H9	d <sub>3</sub>	l <sub>1</sub>	l <sub>2</sub>	b <sub>3</sub>	t		[g]	
[mm]					[mm]				
<b>with hub keyway, without handle, form N-F/A (formerly: A 3) – picture 1</b>									
100	10	25.5	33	17	3	11.4	3	434	24591.0105

## Compliance

### RoHS compliant

Compliant according to Directive 2011/65/EU and Directive 2015/863.

### Does not contain SVHC substances

No SVHC substances with more than 0.1% w/w contained - SVHC list [REACH] as of 27.06.2024.

### Does not contain Proposition 65 substances

No Proposition 65 substances included.

<https://www.P65Warnings.ca.gov/>

### Free from Conflict Minerals

This product does not contain any substances designated as "conflict minerals" such as tantalum, tin, gold or tungsten from the Democratic Republic of Congo or adjacent countries.