

## Thumb Knobs

24520.0106

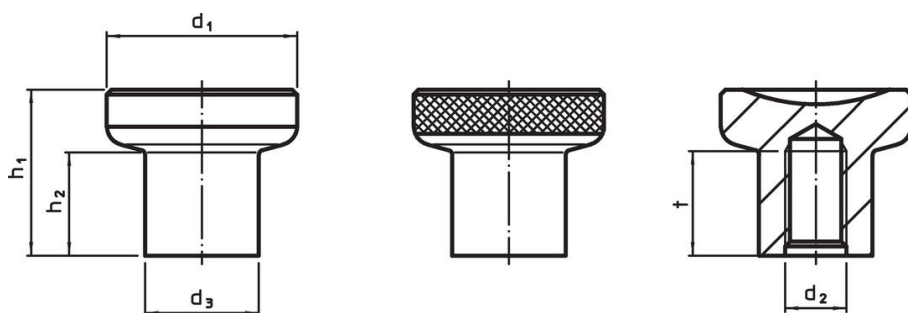


### Product Description

#### Material

- Stainless steel 1.4305, dull blasted

### Drawing



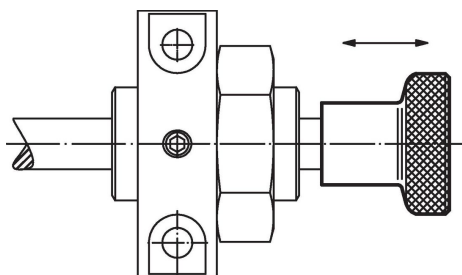
picture 1

picture 2

### Order information

Dimensions							Art. No.
d <sub>1</sub>	d <sub>2</sub>	d <sub>3</sub>	h <sub>1</sub>	h <sub>2</sub>	t min.	[g]	
without knurling – picture 1, Stainless steel							
25	M8	14.5	22.5	14	12	38	24520.0106

### Application example



## Compliance

### RoHS compliant

Compliant according to Directive 2011/65/EU and Directive 2015/863.

### Does not contain SVHC substances

No SVHC substances with more than 0.1% w/w contained - SVHC list [REACH] as of 27.06.2024.

### Does not contain Proposition 65 substances

No Proposition 65 substances included.

<https://www.P65Warnings.ca.gov/>

### Free from Conflict Minerals

This product does not contain any substances designated as "conflict minerals" such as tantalum, tin, gold or tungsten from the Democratic Republic of Congo or adjacent countries.