

Thumb Knobs

24520.0003

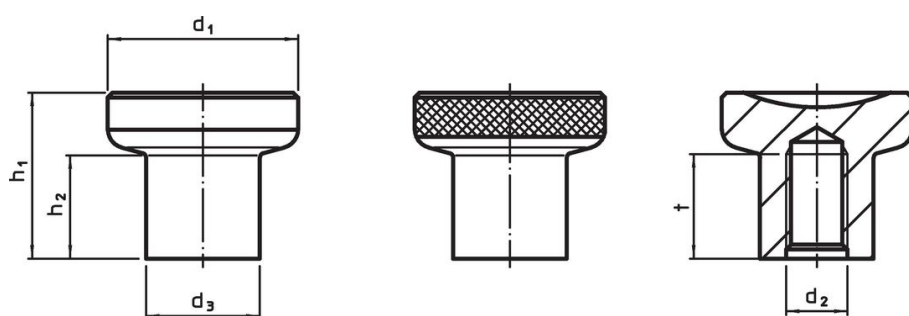


Product Description

Material

- Steel, blackened

Drawing



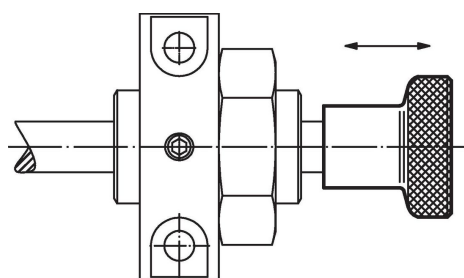
picture 1

picture 2

Order information

Dimensions							[g]	Art. No.
d ₁	d ₂	d ₃	h ₁	h ₂	t	min.		
[mm]								
without knurling – picture 1, Steel								
21	M5	12.5	18	10.5	10		25	24520.0003

Application example



Compliance

RoHS compliant

Contains lead - compliant according to exceptions 6a / 6b / 6c.

Contains SVHC substances >0,1% w/w

Contains lead - SVHC list [REACH] as of 27.06.2024.

Contains Proposition 65 substances



Lead can cause cancer and reproductive harm from exposure
<https://www.P65Warnings.ca.gov/>

Free from Conflict Minerals

This product does not contain any substances designated as "conflict minerals" such as tantalum, tin, gold or tungsten from the Democratic Republic of Congo or adjacent countries.