

## Tommy Nuts · DIN 6307 with moveable pin

24510.0712



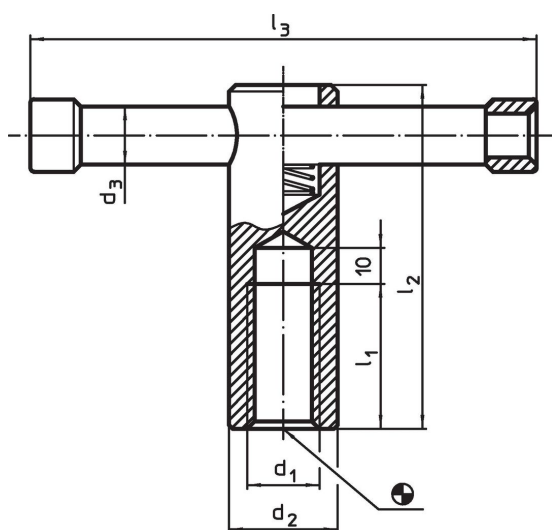
### Product Description

With this version, the pin is moveable and held by the spring.


### Material

- Free cutting steel, blackened

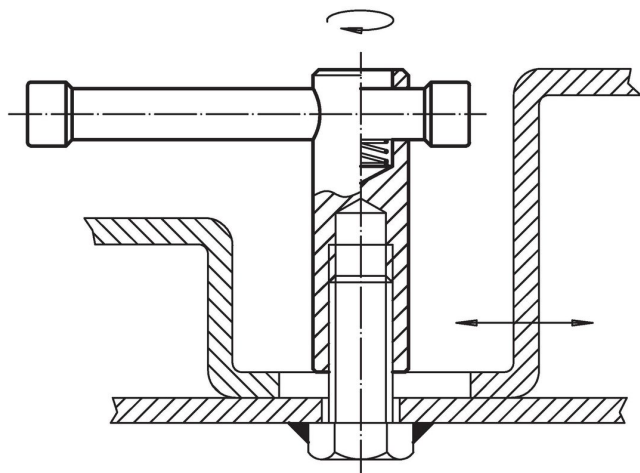
### Drawing



### Order information

		Dimensions					Art. No.
d <sub>1</sub>	d <sub>2</sub>	d <sub>3</sub>	l <sub>1</sub>	l <sub>2</sub>	l <sub>3</sub>	 [g]	
			[mm]				
M12	20	10	25	70	100	180	24510.0712

### Application example



## Compliance

### RoHS compliant

Contains lead - compliant according to exceptions 6a / 6b / 6c.

### Contains SVHC substances >0,1% w/w

Contains lead - SVHC list [REACH] as of 23.01.2024.

### Contains Proposition 65 substances



Lead can cause cancer and reproductive harm from exposure  
<https://www.P65Warnings.ca.gov/>

### Free from Conflict Minerals

This product does not contain any substances designated as "conflict minerals" such as tantalum, tin, gold or tungsten from the Democratic Republic of Congo or adjacent countries.