

## Clamps · with nose, closed

23170.0023



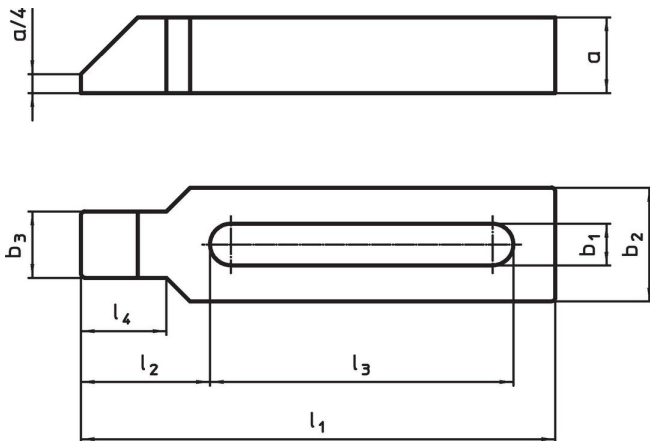
### Product Description

This clamp (clamping claw) according to DIN 6317 with nose is mainly used in mechanical clamping technology for clamping workpieces. Due to the closed design of the clamp, it is suitable for use with rotating workpieces.  
Thanks to the closed slot, the clamp is suitable for an application with rotating workpieces.

### Material

- Heat-treated steel, varnished

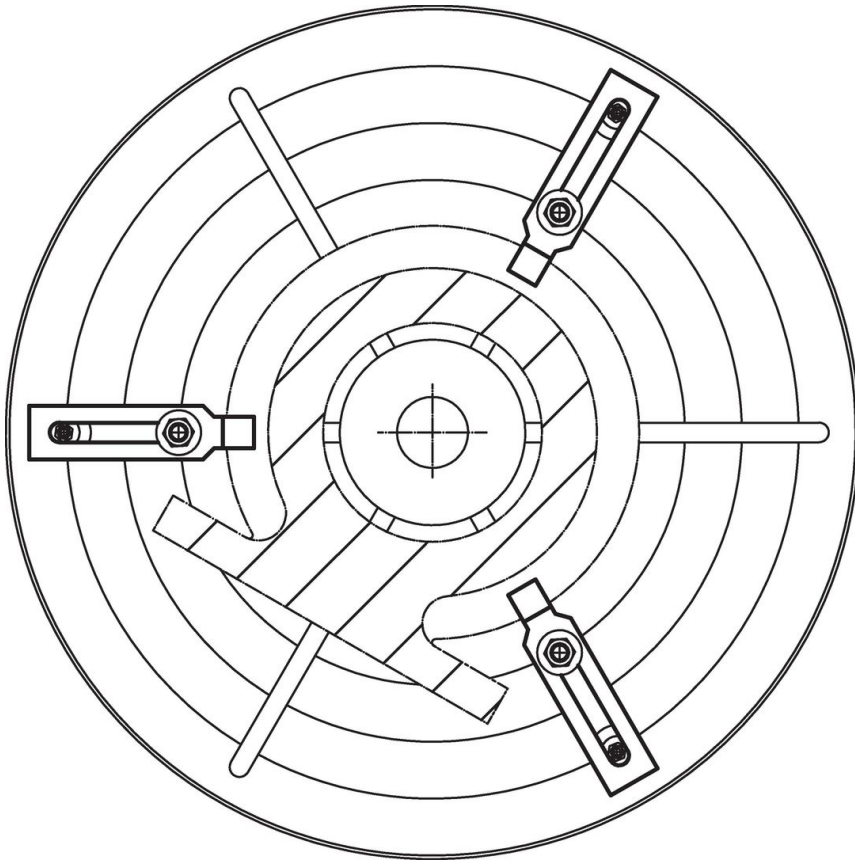
### Drawing



### Order information

Nominal dimension $b_1$ [mm]	Dimensions							For screws		[g]	Art. No.
	$l_1$	$a$	$b_2$	$b_3$	$l_2$	$l_3$	$l_4$	[mm]	[in]		
22	315	40	60	35	68	220	45	M20, M22	3/4	3810	23170.0023

## Application example



## Compliance

### RoHS compliant

Compliant according to Directive 2011/65/EU and Directive 2015/863.

### Does not contain SVHC substances

No SVHC substances with more than 0.1% w/w contained - SVHC list [REACH] as of 27.06.2024.

### Does not contain Proposition 65 substances

No Proposition 65 substances included.  
<https://www.P65Warnings.ca.gov/>

### Free from Conflict Minerals

This product does not contain any substances designated as "conflict minerals" such as tantalum, tin, gold or tungsten from the Democratic Republic of Congo or adjacent countries.