

Clamps · DIN 6316 with goose-neck

23160.0034



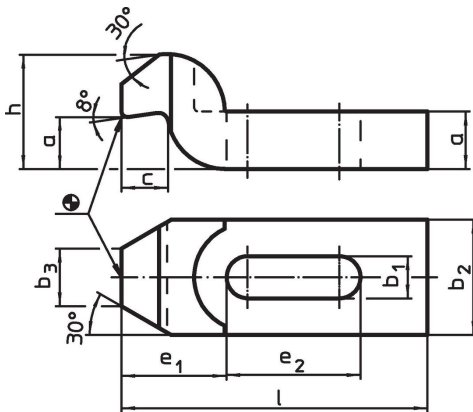
Product Description

This clamp (clamping claw) according to DIN 6316 with goose-neck is mainly used in mechanical clamping technology for clamping workpieces.

Material

- Heat-treated steel, varnished

Drawing

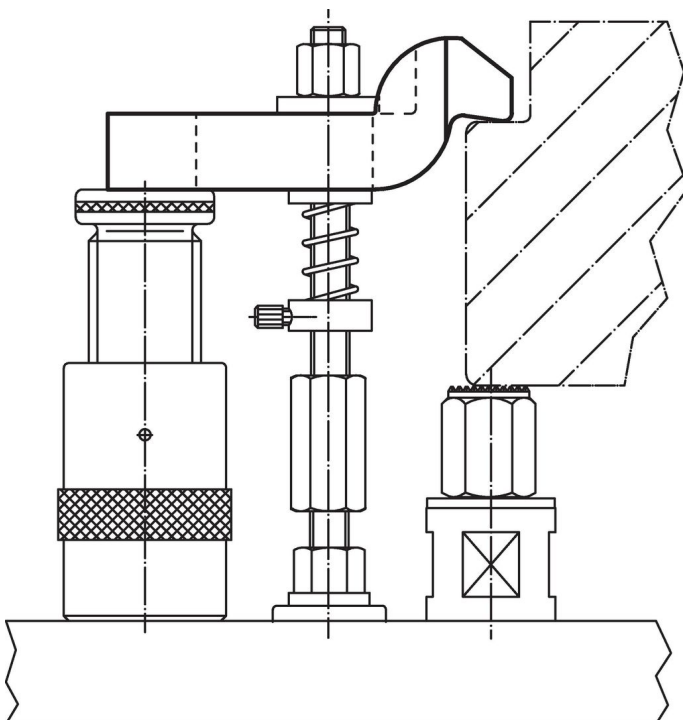


Order information

Nominal dimension b ₁ [mm]	Dimensions								For screws		Art. No. ¹⁾	
	l	a	b ₂	b ₃	c	e ₁	e ₂	h	[mm]	[in]		
33	250	40	80	40	40	91	80	80	M30	1 1/4	4500	23160.0034

¹⁾ DIN standards do not include these dimensions.

Application example



Compliance

RoHS compliant

Compliant according to Directive 2011/65/EU and Directive 2015/863.

Does not contain SVHC substances

No SVHC substances with more than 0.1% w/w contained - SVHC list [REACH] as of 27.06.2024.

Does not contain Proposition 65 substances

No Proposition 65 substances included.

<https://www.P65Warnings.ca.gov/>

Free from Conflict Minerals

This product does not contain any substances designated as "conflict minerals" such as tantalum, tin, gold or tungsten from the Democratic Republic of Congo or adjacent countries.