

Oil-Sight Glasses

22860.0032



Product Description

Oil-sight glasses can be used for level control in tanks without excess pressure.

Material

Seal ring

- Resistant to oil and gasoline

Reflector

- Plastic, white

Ring nut

- Aluminium Al

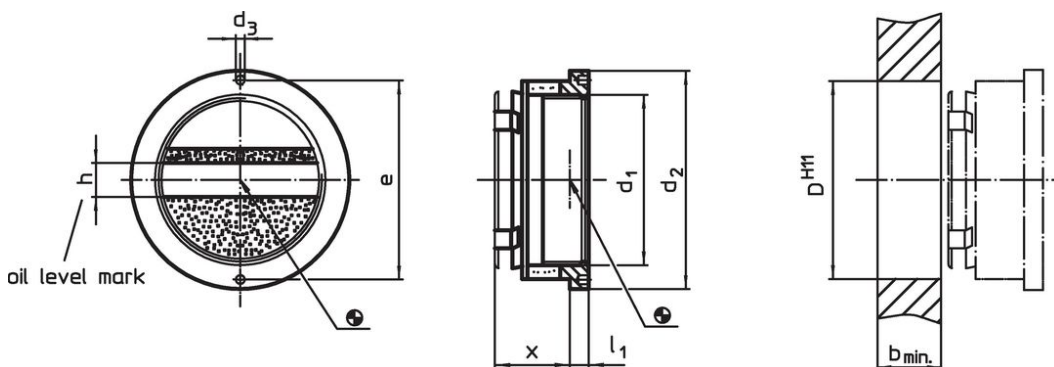
Oil-sight glass

- Plexiglass (PMMA) clear

Assembly

Can be fitted without thread in H11 borehole. Sealing by simply tightening the ring nut.


Drawing



Order information

Dimensions							Location hole	Temperature		Weight	Art. No.
Size (sight opening) d ₁	d ₂	d ₃	x ~	l ₁	b min.	e	D H11	min.	max.	[g]	
[mm]							[mm]	[°C]			
without oil level mark											
32	45	3	18	5.5	12	40	38	-20	70	34	22860.0032

Accessories

	Size (sight opening) d ₁	Dimensions d h9 [mm]	e	Weight [g]	Art. No.
assembly tool					
	32	2.8	40.0	36	22860.0832

Application example



Compliance

RoHS compliant

Compliant according to Directive 2011/65/EU and Directive 2015/863.

Does not contain SVHC substances

No SVHC substances with more than 0.1% w/w contained - SVHC list [REACH] as of 27.06.2024.

Does not contain Proposition 65 substances

No Proposition 65 substances included.
<https://www.P65Warnings.ca.gov/>

Free from Conflict Minerals

This product does not contain any substances designated as "conflict minerals" such as tantalum, tin, gold or tungsten from the Democratic Republic of Congo or adjacent countries.