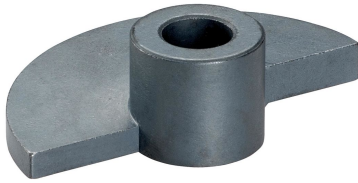


Door Catches

22260.0112



Product Description

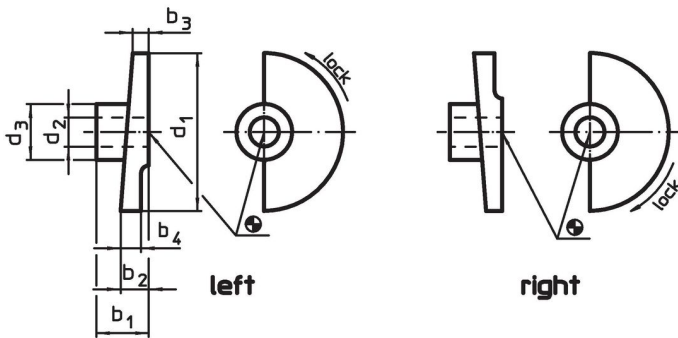
Material

- Sintered steel

Assembly

Not suitable for fastening by welded connection. Secure by using pins.

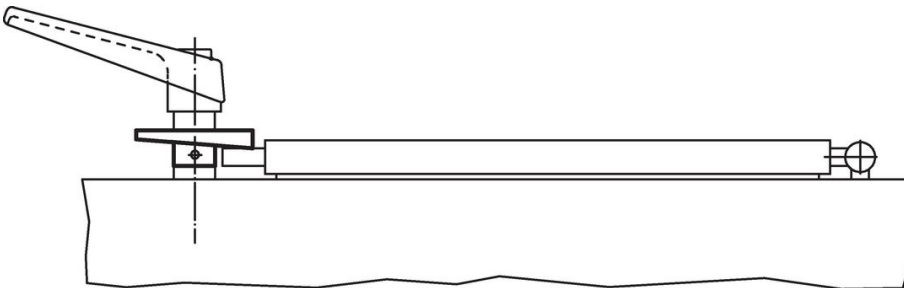
Drawing



Order information

Dimensions							[g]	Art. No.
d ₁	d ₂ H8	d ₃	b ₁ [mm]	b ₂	b ₃	b ₄		
locking by turning to the left								
65	12	23	20	10	5	7.2	103	22260.0112

Application example



Compliance

RoHS compliant

Compliant according to Directive 2011/65/EU and Directive 2015/863.

Does not contain SVHC substances

No SVHC substances with more than 0.1% w/w contained - SVHC list [REACH] as of 27.06.2024.

Does not contain Proposition 65 substances

No Proposition 65 substances included.

<https://www.P65Warnings.ca.gov/>

Free from Conflict Minerals

This product does not contain any substances designated as "conflict minerals" such as tantalum, tin, gold or tungsten from the Democratic Republic of Congo or adjacent countries.