

## Index Plungers · simple finish

22120.0776



### Product Description

Application is limited to cases not requiring a precise positioning.  
Simple finish with very small dimensions.

### Material

#### Body

- Stainless steel 1.4305

#### Locking pin

- Stainless steel 1.4305

#### Pull-ring

- Stainless steel 1.4310

### Operation

When using locking index plungers, the knob is pulled-out, turned 90° and secured by a notched catch (when locking pin should not overhang).

### More information

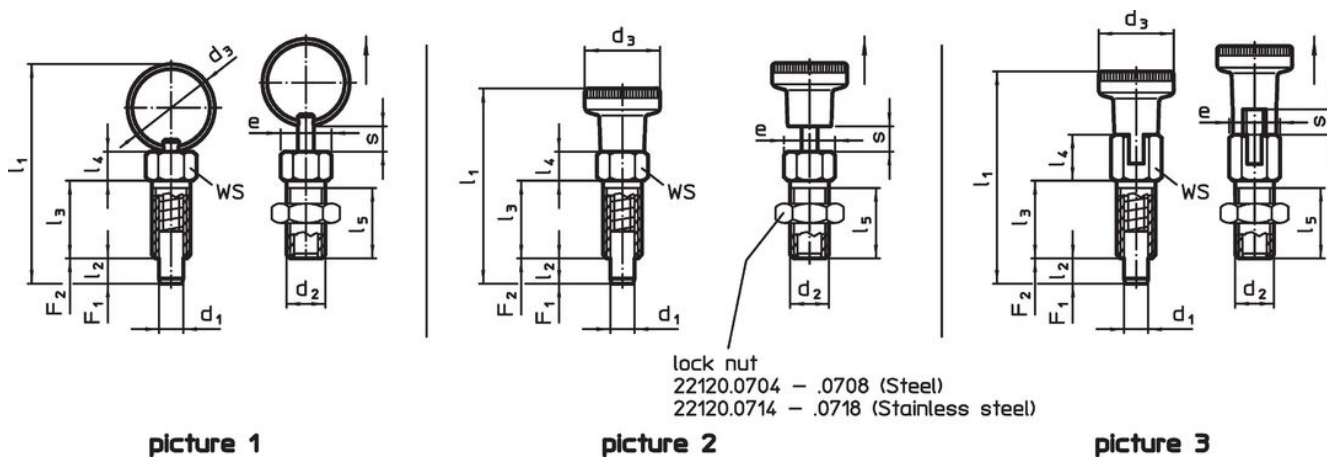
### Notes

Lock nuts have to be purchased separately.

### Further products

- Locating Bushings, for index bolts and index plungers

### Drawing





### Order information

Dimensions										WS	Tightening torque max.	Spring load <sup>1)</sup>		max. [°C]	[g]	Art. No.
d <sub>1</sub>	d <sub>2</sub>	d <sub>3</sub>	e	l <sub>1</sub>	l <sub>2</sub> min.	l <sub>3</sub>	l <sub>4</sub>	l <sub>5</sub>	s min.			F <sub>1</sub>	F <sub>2</sub>			
[mm]										[mm]	[Nm]	[N]	[N]	[°C]	[g]	
with pull-ring, without locking – picture 1, Stainless steel																
6	M10	24	11.5	57.5	6	20	7.5	17	6	10	15	5	21	250	17	22120.0776

<sup>1)</sup> statistical average value

## Accessories

	Dimensions $d_2$ [mm]	Wrench size [mm]	 [g]	Art. No.
<b>Stainless steel</b>				
	<b>M10</b>	16	5.3	<b>22120.0716</b>

## Application example



## Compliance

### RoHS compliant

Compliant according to Directive 2011/65/EU and Directive 2015/863.

### Does not contain SVHC substances

No SVHC substances with more than 0.1% w/w contained - SVHC list [REACH] as of 27.06.2024.

### Does not contain Proposition 65 substances

No Proposition 65 substances included.

<https://www.P65Warnings.ca.gov/>

### Free from Conflict Minerals

This product does not contain any substances designated as "conflict minerals" such as tantalum, tin, gold or tungsten from the Democratic Republic of Congo or adjacent countries.