

Spring Plungers · with moveable ball and slot

22051.0210



Product Description

Spring plungers can be used for locating or for applying pressure, as a detent or for ejection. The running of the ball minimises wear on the counterpart, this also results in a positive locking behaviour depending on the counterpart. Another advantage of the plastic ball is the electric insulation.

Material

Body

- Free cutting steel, blackened

Bearing

- plastic

Ball

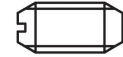
- Ball-bearing steel, hardened

Spring

- Stainless steel

Characteristic

Heavy spring load: marked with two lines



Standard spring load



Heavy spring load

More information

Notes

Special types on request.
Spring plungers are specially tested for spring range and forces.

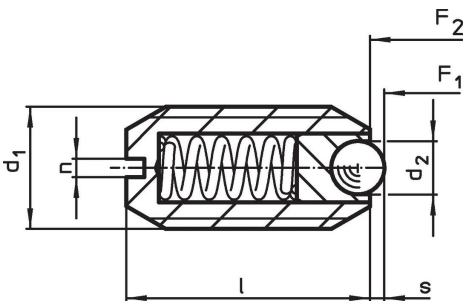
References

Thread lock on request, please refer to appendix - Technical Data -
Calculation of indexing resistance, please refer to appendix - Technical Data -

Further products

- Locators, with bore hole, for spring plungers
- Locators, smooth, for spring plungers
- Holders, for spring plungers

Drawing

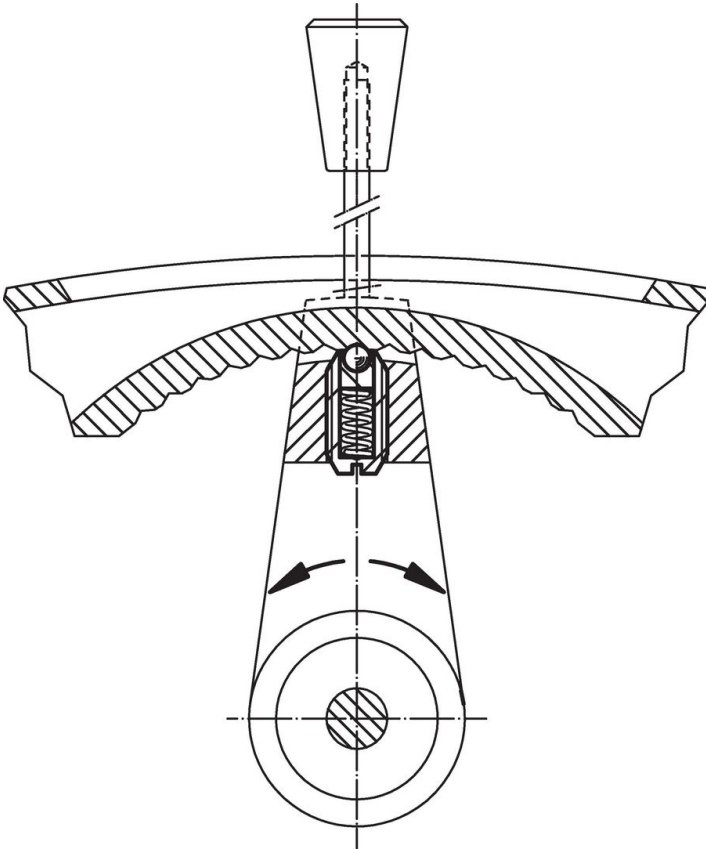


Order information

| Dimensions | | | | Stroke s [mm] | Spring load ¹⁾ | | Temperature | | Weight [g] | Art. No. |
|---|----------------|----|-----|---------------------|---------------------------|---------------------|-------------|------|---------------|------------|
| d ₁ | d ₂ | l | n | | F ₁ ~ | F ₂ ~ | min. | max. | | |
| [mm] | | | | | [N] | | [°C] | | | |
| free cutting steel, reinforced spring load | | | | | | | | | | |
| M10 | 4.5 | 19 | 1.5 | 1.4 | 28 | 54.3 | -30 | 90 | 6 | 22051.0210 |

¹⁾ statistical average value

Application example



Compliance

RoHS compliant

Contains lead - compliant according to exceptions 6a / 6b / 6c.

Contains SVHC substances >0,1% w/w

Contains lead - SVHC list [REACH] as of 23.01.2024.

Contains Proposition 65 substances



Lead can cause cancer and reproductive harm from exposure
<https://www.P65Warnings.ca.gov/>

Free from Conflict Minerals

This product does not contain any substances designated as "conflict minerals" such as tantalum, tin, gold or tungsten from the Democratic Republic of Congo or adjacent countries.