

Stops · with mounting thread

1586.081



Product Description

Material

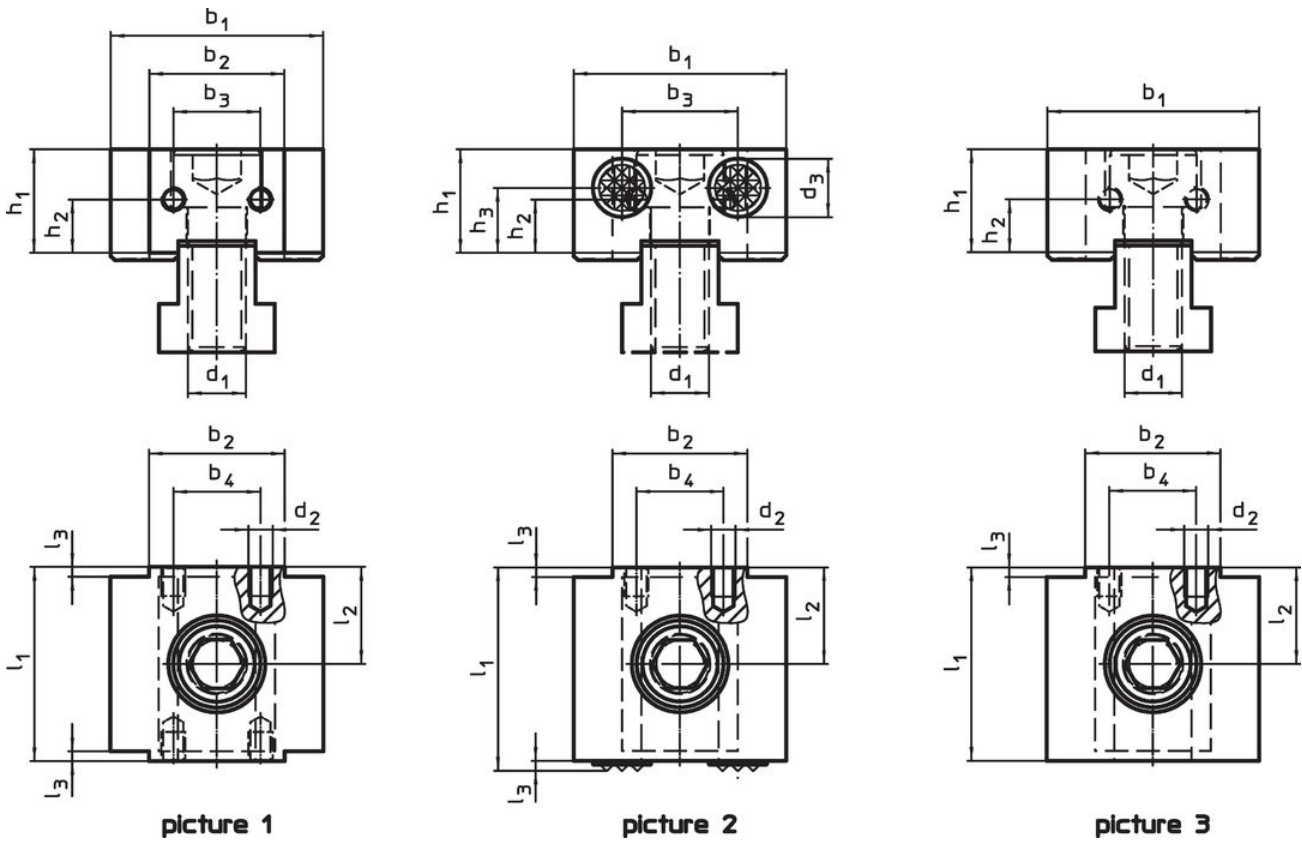
Inserts

- Hard metal

Body

- Tool steel, hardened

Drawing



Order information

Dimensions													[g]	Art. No.	
d ₁	d ₂	d ₃	l ₁	l ₂ ±0.01	l ₃	b ₁ -0.05	b ₂ -0.05	b ₃	b ₄	h ₁	h ₂	h ₃			
ribbed and mounting thread – picture 2															
M12	M5	12	42	20	2	44	28	24	18	21.4	11	13.4	397	1586.081	

Compliance

RoHS compliant

Compliant according to Directive 2011/65/EU and Directive 2015/863.

Does not contain SVHC substances

No SVHC substances with more than 0.1% w/w contained - SVHC list [REACH] as of 23.01.2024.

Does not contain Proposition 65 substances

No Proposition 65 substances included.

<https://www.P65Warnings.ca.gov/>

Free from Conflict Minerals

This product does not contain any substances designated as "conflict minerals" such as tantalum, tin, gold or tungsten from the Democratic Republic of Congo or adjacent countries.