

Panty EH 25165.



Popis produktu

The different versions cover many applications that require a low load.

These metal hinges are characterised by their simple design and the different versions:

- without bores
- with bores
- with bores for countersunk screws

The version without bores can be assembled by welding or by inserting a specific drilling pattern.

Materiál

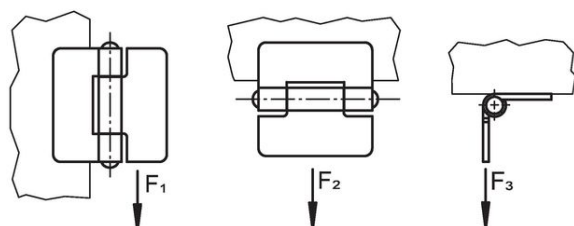
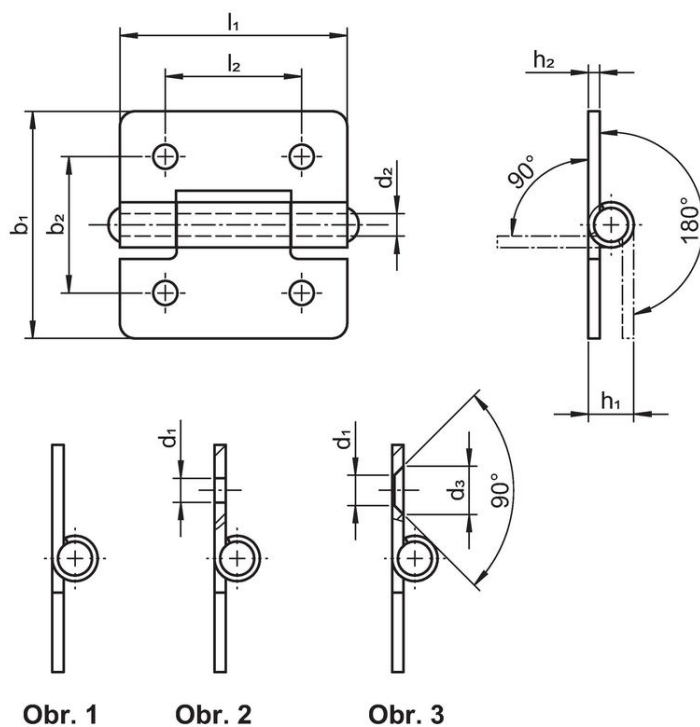
Základní těleso

- Nerez 1.4301
- Ocel, zinkovaná, pasivovaná

Osa

- Nerez 1.4301

Výkres s rozměry



Informace pro objednání

| b ₁ | l ₁ | b ₂ | d ₁ | Rozměry | | | | | Přidrzná síla | | | [g] | Obj. č. |
|---|----------------|----------------|----------------|----------------|----------------|---------------------|----------------|----------------|---------------------|----------------------------|---------------------|-----|------------|
| | | | | d ₂ | d ₃ | h ₁ ~ | h ₂ | l ₂ | F ₁ ~ | F ₂ ~ [N] | F ₃ ~ | | |
| [mm] | | | | | | | | | | | | | |
| without bores – obrázek 1, Nerez | | | | | | | | | | | | | |
| 30 | 30 | – | – | 3 | – | 6 | 1,5 | – | 700 | 500 | 500 | 15 | 25165.0015 |
| 40 | 40 | – | – | 4 | – | 8 | 2,0 | – | 2000 | 1000 | 1000 | 34 | 25165.0025 |
| 50 | 50 | – | – | 6 | – | 10 | 2,0 | – | 2500 | 2000 | 1000 | 62 | 25165.0040 |
| 60 | 60 | – | – | 6 | – | 10 | 2,0 | – | 2800 | 2500 | 1000 | 83 | 25165.0060 |
| with bores – obrázek 2, Nerez | | | | | | | | | | | | | |
| 30 | 30 | 18 | 3,2 | 3 | – | 6 | 1,5 | 18 | 700 | 500 | 500 | 15 | 25165.0115 |
| 40 | 40 | 25 | 4,2 | 4 | – | 8 | 2,0 | 25 | 2000 | 1000 | 1000 | 33 | 25165.0125 |
| 50 | 50 | 30 | 3,2 | 6 | – | 10 | 2,0 | 30 | 2500 | 2000 | 1000 | 61 | 25165.0140 |
| 60 | 60 | 36 | 5,2 | 6 | – | 10 | 2,0 | 36 | 2800 | 2500 | 1000 | 80 | 25165.0160 |
| with bores – obrázek 2, Ocel | | | | | | | | | | | | | |
| 30 | 30 | 18 | 3,2 | 3 | – | 6 | 1,5 | 18 | 700 | 500 | 500 | 15 | 25165.1015 |
| 40 | 40 | 25 | 4,2 | 4 | – | 8 | 2,0 | 25 | 2000 | 1000 | 1000 | 33 | 25165.1025 |
| 50 | 50 | 30 | 5,2 | 6 | – | 10 | 2,0 | 30 | 2500 | 2000 | 1000 | 61 | 25165.1040 |
| 60 | 60 | 36 | 5,2 | 6 | – | 10 | 2,0 | 36 | 2800 | 2500 | 1000 | 80 | 25165.1060 |
| with bores for countersunk screws – obrázek 3, Nerez | | | | | | | | | | | | | |
| 30 | 30 | 18 | 4,0 | 3 | 6,4 | 6 | 1,5 | 18 | 700 | 500 | 500 | 15 | 25165.0215 |
| 40 | 40 | 25 | 4,0 | 5 | 8,3 | 8 | 2,0 | 25 | 2000 | 1000 | 1000 | 33 | 25165.0225 |
| 50 | 50 | 30 | 4,0 | 6 | 8,3 | 10 | 2,0 | 30 | 2500 | 2000 | 1000 | 61 | 25165.0240 |
| 60 | 60 | 36 | 5,0 | 6 | 8,3 | 10 | 2,0 | 36 | 2800 | 2500 | 1000 | 80 | 25165.0260 |
| with bores for countersunk screws – obrázek 3, Ocel | | | | | | | | | | | | | |
| 30 | 30 | 18 | 4,0 | 3 | 6,4 | 6 | 1,5 | 18 | 700 | 500 | 500 | 15 | 25165.2015 |
| 40 | 40 | 25 | 5,0 | 4 | 8,3 | 8 | 2,0 | 25 | 2000 | 1000 | 1000 | 33 | 25165.2025 |
| 50 | 50 | 30 | 5,0 | 6 | 8,3 | 10 | 2,0 | 30 | 2500 | 2000 | 1000 | 61 | 25165.2040 |
| 60 | 60 | 36 | 5,0 | 6 | 8,3 | 10 | 2,0 | 36 | 2800 | 2500 | 1000 | 80 | 25165.2060 |

Shoda

Vyhovuje RoHS

V souladu se směrnicí 2011/65/EU a směrnicí 2015/863.

Neobsahuje látky SVHC

Žádné látky SVHC s obsahem vyšším než 0,1% hm. - seznam SVHC k 27.06.2024.

Neobsahuje látky Proposition 65

Neobsahuje látky Proposition 65.

<https://www.P65Warnings.ca.gov/>

Bez konfliktních minerálů

Tento produkt neobsahuje žádné látky označené jako "konfliktní minerály" jako je tantal, cín, zlato nebo wolfram z Demokratické republiky Kongo nebo sousedních zemí.