

Šrouby rýhované vysoké • DIN 464  
EH 24790.

## Popis produktu

Knurled thumb screws are very versatile. Three material versions for the different requirements

- steel, blackened
- steel, zinc-plated by galvanization
- stainless steel

are available.

Knurled thumb screws can be easily tightened and released by hand. The ribbed outer surface of the nut prevents slipping when tightening / releasing with the fingers.

Šrouby rýhované vysoké jsou vyrobeny z jednoho kusu. Oproti normě jsou vyrobeny se závitem až k hlavě bez výběhu závitu.

## Materiál

- Ocel, brynýrovaná, pevnost 5.8
- Ocel, zinkovaná, pevnost 5.8
- Nerez 1.4305, matná

## Další informace

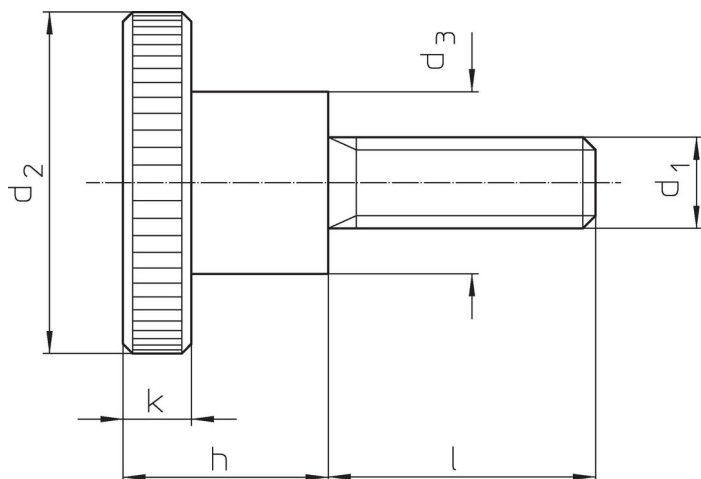
## Poznámky

Rýhování a jeho hloubka se mohou lišit od normy DIN.

## Další produkty


- Šrouby rýhované ploché, DIN 653

## Výkres s rozměry



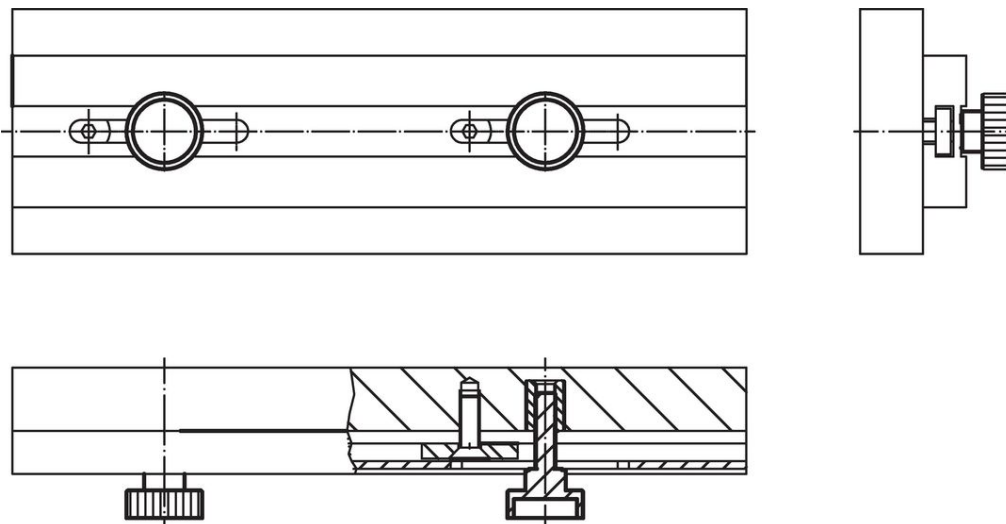
## Informace pro objednání

d <sub>1</sub>	l	d <sub>2</sub>	Rozměry			[g]	Obj. č.
			d <sub>3</sub>	h	k		
[mm]							
<b>Ocel, brynýrovaná, pevnost 5.8</b>							
M 3	6	12	6	7,5	2,5	3,7	24790.0074
M 3	10	12	6	7,5	2,5	3,8	24790.0076
M 3	12	12	6	7,5	2,5	4,0	24790.0077
M 3	16	12	6	7,5	2,5	4,0	24790.0079
M 3	20	12	6	7,5	2,5	4,5	24790.0081
M 4	5	16	8	9,5	3,5	7,7	24790.0092
M 4	8	16	8	9,5	3,5	8,0	24790.0094
M 4	10	16	8	9,5	3,5	8,1	24790.0095
M 4	12	16	8	9,5	3,5	8,6	24790.0096
M 4	16	16	8	9,5	3,5	8,4	24790.0098
M 4	20	16	8	9,5	3,5	9,1	24790.0100
M 4	25	16	8	9,5	3,5	9,0	24790.0102
M 5	6	20	10	11,5	4,0	14,0	24790.0112
M 5	8	20	10	11,5	4,0	15,0	24790.0113
M 5	10	20	10	11,5	4,0	15,0	24790.0114
M 5	12	20	10	11,5	4,0	15,0	24790.0115
M 5	16	20	10	11,5	4,0	16,0	24790.0117

d <sub>1</sub>	l	Rozměry			h	k		Obj. č.
		d <sub>2</sub>	d <sub>3</sub>	[mm]				
M 5	20	20	10	11,5	4,0	16,0	24790.0119	
M 5	25	20	10	11,5	4,0	17,0	24790.0121	
M 5	30	20	10	11,5	4,0	17,0	24790.0123	
M 6	8	24	12	15,0	5,0	28,0	24790.0132	
M 6	10	24	12	15,0	5,0	27,0	24790.0133	
M 6	12	24	12	15,0	5,0	28,0	24790.0134	
M 6	16	24	12	15,0	5,0	28,0	24790.0136	
M 6	20	24	12	15,0	5,0	29,0	24790.0138	
M 6	25	24	12	15,0	5,0	30,0	24790.0140	
M 6	30	24	12	15,0	5,0	31,0	24790.0142	
M 6	35	24	12	15,0	5,0	31,0	24790.0144	
M 8	12	30	16	18,0	6,0	53,0	24790.0152	
M 8	16	30	16	18,0	6,0	55,0	24790.0154	
M 8	20	30	16	18,0	6,0	56,0	24790.0156	
M 8	25	30	16	18,0	6,0	58,0	24790.0158	
M 8	30	30	16	18,0	6,0	60,0	24790.0160	
M 8	35	30	16	18,0	6,0	62,0	24790.0162	
M 8	40	30	16	18,0	6,0	61,0	24790.0164	
M10	15	36	20	23,0	8,0	104,0	24790.0171	
M10	20	36	20	23,0	8,0	106,0	24790.0173	
M10	25	36	20	23,0	8,0	109,0	24790.0175	
M10	30	36	20	23,0	8,0	112,0	24790.0177	
M10	35	36	20	23,0	8,0	116,0	24790.0179	
M10	40	36	20	23,0	8,0	116,0	24790.0181	
<b>Ocel, zinkovaná</b>								
M 3	6	12	6	7,5	2,5	4,0	24790.0474	
M 3	8	12	6	7,5	2,5	4,0	24790.0475	
M 3	10	12	6	7,5	2,5	4,0	24790.0476	
M 3	12	12	6	7,5	2,5	4,0	24790.0477	
M 3	16	12	6	7,5	2,5	5,0	24790.0479	
M 3	20	12	6	7,5	2,5	5,0	24790.0481	
M 4	5	16	8	9,5	3,5	9,0	24790.0492	
M 4	8	16	8	9,5	3,5	8,0	24790.0494	
M 4	10	16	8	9,5	3,5	8,0	24790.0495	
M 4	12	16	8	9,5	3,5	8,0	24790.0496	
M 4	16	16	8	9,5	3,5	8,0	24790.0498	
M 4	20	16	8	9,5	3,5	9,0	24790.0500	
M 4	25	16	8	9,5	3,5	9,0	24790.0502	
M 5	6	20	10	11,5	4,0	15,0	24790.0512	
M 5	8	20	10	11,5	4,0	15,0	24790.0513	
M 5	10	20	10	11,5	4,0	15,0	24790.0514	
M 5	12	20	10	11,5	4,0	14,0	24790.0515	
M 5	16	20	10	11,5	4,0	15,0	24790.0517	
M 5	20	20	10	11,5	4,0	16,0	24790.0519	
M 5	25	20	10	11,5	4,0	16,0	24790.0521	
M 5	30	20	10	11,5	4,0	17,0	24790.0523	
M 6	8	24	12	15,0	5,0	27,0	24790.0532	
M 6	10	24	12	15,0	5,0	27,0	24790.0533	
M 6	12	24	12	15,0	5,0	27,0	24790.0534	
M 6	16	24	12	15,0	5,0	28,0	24790.0536	
M 6	20	24	12	15,0	5,0	29,0	24790.0538	
M 6	25	24	12	15,0	5,0	28,0	24790.0540	
M 6	30	24	12	15,0	5,0	30,0	24790.0542	
M 6	35	24	12	15,0	5,0	31,0	24790.0544	
M 8	12	30	16	18,0	6,0	55,0	24790.0552	
M 8	16	30	16	18,0	6,0	55,0	24790.0554	
M 8	20	30	16	18,0	6,0	56,0	24790.0556	
M 8	25	30	16	18,0	6,0	58,0	24790.0558	
M 8	30	30	16	18,0	6,0	50,0	24790.0560	
M 8	35	30	16	18,0	6,0	63,0	24790.0562	
M 8	40	30	16	18,0	6,0	62,0	24790.0564	
M10	12	36	20	23,0	8,0	105,0	24790.0570	

d <sub>1</sub>	l	Rozměry				h	k	[g]	Obj. č.
		d <sub>2</sub>	d <sub>3</sub>	[mm]					
M10	15	36	20		23,0	8,0	106,0	24790.0571	
M10	20	36	20		23,0	8,0	107,0	24790.0573	
M10	25	36	20		23,0	8,0	110,0	24790.0575	
M10	30	36	20		23,0	8,0	112,0	24790.0577	
M10	35	36	20		23,0	8,0	115,0	24790.0579	
M10	40	36	20		23,0	8,0	116,0	24790.0581	
<b>Nerez 1.4305</b>									
M 3	6	12	6		7,5	2,5	3,7	24790.0274	
M 3	10	12	6		7,5	2,5	3,8	24790.0276	
M 3	12	12	6		7,5	2,5	4,0	24790.0277	
M 3	16	12	6		7,5	2,5	4,0	24790.0279	
M 4	8	16	8		9,5	3,5	8,0	24790.0294	
M 4	10	16	8		9,5	3,5	8,1	24790.0295	
M 4	12	16	8		9,5	3,5	8,6	24790.0296	
M 4	16	16	8		9,5	3,5	8,4	24790.0298	
M 4	20	16	8		9,5	3,5	9,1	24790.0300	
M 4	25	16	8		9,5	3,5	9,0	24790.0302	
M 5	10	20	10		11,5	4,0	15,0	24790.0314	
M 5	12	20	10		11,5	4,0	15,0	24790.0315	
M 5	16	20	10		11,5	4,0	16,0	24790.0317	
M 5	20	20	10		11,5	4,0	16,0	24790.0319	
M 5	25	20	10		11,5	4,0	17,0	24790.0321	
M 5	30	20	10		11,5	4,0	17,0	24790.0323	
M 6	12	24	12		15,0	5,0	28,0	24790.0334	
M 6	16	24	12		15,0	5,0	28,0	24790.0336	
M 6	20	24	12		15,0	5,0	29,0	24790.0338	
M 6	25	24	12		15,0	5,0	30,0	24790.0340	
M 6	30	24	12		15,0	5,0	31,0	24790.0342	
M 6	35	24	12		15,0	5,0	31,0	24790.0344	
M 8	16	30	16		18,0	6,0	55,0	24790.0354	
M 8	20	30	16		18,0	6,0	56,0	24790.0356	
M 8	25	30	16		18,0	6,0	58,0	24790.0358	
M 8	30	30	16		18,0	6,0	60,0	24790.0360	
M 8	35	30	16		18,0	6,0	62,0	24790.0362	

#### Příklad použití



#### Shoda

Pro podrobné informace o shodě vyberte, prosím, požadované číslo výrobku.