

Šrouby rýhované ploché • DIN 653

EH 24770.



Popis produktu

Šrouby rýhované ploché jsou vyrobeny z jednoho kusu se závitem až k hlavě (DIN-znázornění A).

Materiál

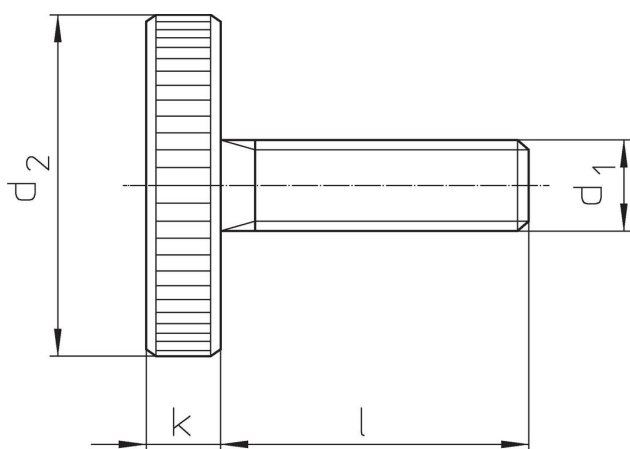
- Ocel, bryňovaná, pevnost 5.8
- Ocel, zinkovaná, pevnost 5.8
- Nerez 1.4305, matná

Další informace

Poznámky

Rýhování a jeho hloubka se mohou lišit od normy DIN.


Výkres s rozměry



Informace pro objednání

d ₁	l	Rozměry		d ₂	k	[g]	Obj. č.
		[mm]					
Ocel, bryňovaná, pevnost 5.8							
M 3	6			12	2,5	2,3	24770.0072
M 3	8			12	2,5	2,4	24770.0073
M 3	10			12	2,5	2,5	24770.0074
M 3	16			12	2,5	2,7	24770.0077
M 3	20			12	2,5	2,9	24770.0079
M 4	8			16	3,5	5,6	24770.0092
M 4	10			16	3,5	5,7	24770.0093
M 4	12			16	3,5	6,1	24770.0094
M 4	16			16	3,5	6,2	24770.0096
M 4	20			16	3,5	6,6	24770.0098
M 4	25			16	3,5	7,1	24770.0100
M 5	10			20	4,0	10,0	24770.0112
M 5	12			20	4,0	11,0	24770.0113
M 5	16			20	4,0	12,0	24770.0115
M 5	20			20	4,0	12,0	24770.0117
M 5	25			20	4,0	12,0	24770.0119
M 5	30			20	4,0	13,0	24770.0121
M 6	12			24	5,0	18,0	24770.0132
M 6	16			24	5,0	20,0	24770.0134
M 6	20			24	5,0	21,0	24770.0136
M 6	25			24	5,0	21,0	24770.0138
M 6	30			24	5,0	22,0	24770.0140

d ₁	Rozměry			k	[g]	Obj. č.
	l	d ₂	[mm]			
M 6	40	24		5,0	23,0	24770.0142
M 8	16	30		6,0	36,0	24770.0152
M 8	20	30		6,0	37,0	24770.0154
M 8	25	30		6,0	39,0	24770.0156
M 8	30	30		6,0	40,0	24770.0158
M 8	35	30		6,0	42,0	24770.0160
M 8	40	30		6,0	44,0	24770.0161
M10	20	36		8,0	71,0	24770.0172
M10	25	36		8,0	72,0	24770.0174
M10	30	36		8,0	76,0	24770.0176
M10	35	36		8,0	78,0	24770.0178
M10	40	36		8,0	80,0	24770.0180
Ocel, zinkovaná						
M 3	6	12		2,5	2,0	24770.0472
M 3	8	12		2,5	2,0	24770.0473
M 3	10	12		2,5	3,0	24770.0474
M 3	16	12		2,5	3,0	24770.0477
M 3	20	12		2,5	3,0	24770.0479
M 4	8	16		3,5	6,0	24770.0492
M 4	10	16		3,5	6,0	24770.0493
M 4	12	16		3,5	6,0	24770.0494
M 4	16	16		3,5	7,0	24770.0496
M 4	20	16		3,5	7,0	24770.0498
M 4	25	16		3,5	7,0	24770.0500
M 5	10	20		4,0	10,0	24770.0512
M 5	12	20		4,0	11,0	24770.0513
M 5	16	20		4,0	12,0	24770.0515
M 5	20	20		4,0	12,0	24770.0517
M 5	25	20		4,0	14,0	24770.0519
M 5	30	20		4,0	13,0	24770.0521
M 6	12	24		5,0	19,0	24770.0532
M 6	16	24		5,0	19,0	24770.0534
M 6	20	24		5,0	20,0	24770.0536
M 6	25	24		5,0	20,0	24770.0538
M 6	30	24		5,0	20,0	24770.0540
M 6	40	24		5,0	23,0	24770.0542
M 8	16	30		6,0	35,0	24770.0552
M 8	20	30		6,0	38,0	24770.0554
M 8	25	30		6,0	35,0	24770.0556
M 8	30	30		6,0	35,0	24770.0558
M 8	35	30		6,0	43,0	24770.0560
M 8	40	30		6,0	40,0	24770.0561
M10	20	36		8,0	72,0	24770.0572
M10	25	36		8,0	74,0	24770.0574
M10	30	36		8,0	76,0	24770.0576
M10	35	36		8,0	76,0	24770.0578
M10	40	36		8,0	80,0	24770.0580
Nerez 1.4305						
M 4	8	16		3,5	5,6	24770.0292
M 4	10	16		3,5	5,7	24770.0293
M 4	12	16		3,5	6,1	24770.0294
M 4	16	16		3,5	6,2	24770.0296
M 5	10	20		4,0	10,0	24770.0312
M 5	12	20		4,0	11,0	24770.0313
M 5	16	20		4,0	12,0	24770.0315
M 5	20	20		4,0	12,0	24770.0317
M 6	12	24		5,0	18,0	24770.0332
M 6	16	24		5,0	20,0	24770.0334
M 6	20	24		5,0	21,0	24770.0336
M 6	25	24		5,0	21,0	24770.0338
M 8	16	30		6,0	36,0	24770.0352
M 8	20	30		6,0	37,0	24770.0354

d ₁	Rozměry			k	 [g]	Obj. č.
	l	d ₂	[mm]			
M 8	25	30		6,0	39,0	24770.0356
M 8	30	30		6,0	40,0	24770.0358
M10	20	36		8,0	71,0	24770.0372
M10	25	36		8,0	72,0	24770.0374
M10	30	36		8,0	76,0	24770.0376
M10	40	36		8,0	80,0	24770.0380

Shoda

Pro podrobné informace o shodě vyberte, prosím, požadované číslo výrobku.