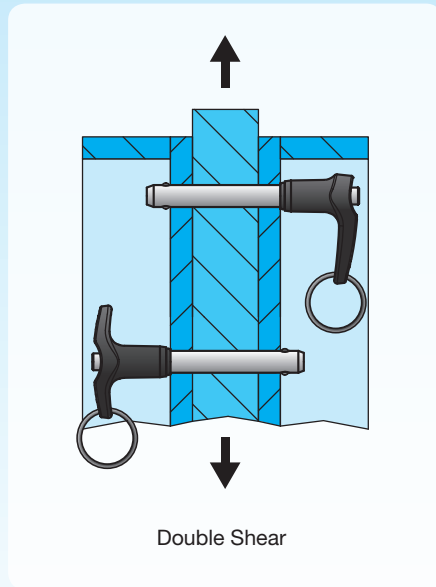


For quick and easy

connecting, defining, changing, fixing, positioning,
replacing, locking, securing, clamping, adjusting ...



We ensure optimum fastening

Many dimensions available from stock.

Current stock and price list on request.

Special designs and versions made of titanium on request.

 **HALDER**

Erwin Halder KG
Erwin-Halder-Straße 5-9
88480 Achstetten-Bronnen
Germany

Telefon +49 7392 7009-159
Telefax +49 7392 7009-160
E-Mail info@halder.com
www.halder.com

 **MADE IN GERMANY.**

 **HALDER**

BALL LOCK PIN

according to aviation
industry standards



Production organization
approval in accordance
with

EASA Part 21G



www.halder.aero



104.025

EN/350/03.18



www.halder.aero



Button Handle

Standard

Product Line

Pin Diameter:
3/16" - 5/16"

MS17984

4210



T-Handle

Standard

Product Line

Pin Diameter:
3/16" - 9/16"

MS17985

4211



L-Handle

Standard

Product Line

Pin Diameter:
3/16" - 9/16"

MS17986

4212



Ring-Handle

Standard

Product Line

Pin Diameter:
3/16" - 9/16"

MS17987

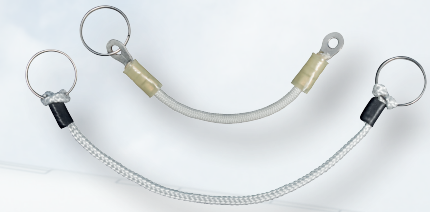
4213

Lanyard

Standard

Length and design
according to
customer
specification

DAN80 /
NSA5732



Warning Streamers

Standard

Length and design
according to
customer
specification

NAS1756

