

原厂使用说明翻译 / Operating Manual

!危险!

带手柄的提升销设计用于提升和保持点荷载 (不是人!)

带手柄的提升销不适合负载的永久旋转。

土壤 (例如砂粒和研磨物, 油和乳液沉积物, 灰尘) 可以影响具有手柄的提升销的功能。

使用损坏的带手柄的提升销可能会造成危险。在任何使用之前, 仔细检查带手柄的提升销 (例如: 变形, 断裂, 撕裂, 损坏, 缺少球, 腐蚀, 解锁功能)。

带手柄的提升销受损必须立即停止使用。

操作与荷重

压下按钮(A), 钢珠松开. 放开按钮(A), 钢珠锁紧

注意: 按钮(A)锁紧是利用弹簧的回复力, 不要长时间接着不放

!Danger!

Lifting pins with handle are designed to lift and hold point loads (**not people!**)

Lifting pins with handle are **not suited for permanent rotation of the load.**

Soilings (e.g. grits and grinds, oil and emulsion deposits, dust..) can affect the functionality of the lifting pins with handle.

Using damaged lifting pins with handles can be perilous. **Before any use** carefully inspect the lifting pins with handle (i.e. deformities, breaks, rips, damages, missing balls, corrosion, unlocking function).

Damaged lifting pins with handle must be withdrawn from service immediately.

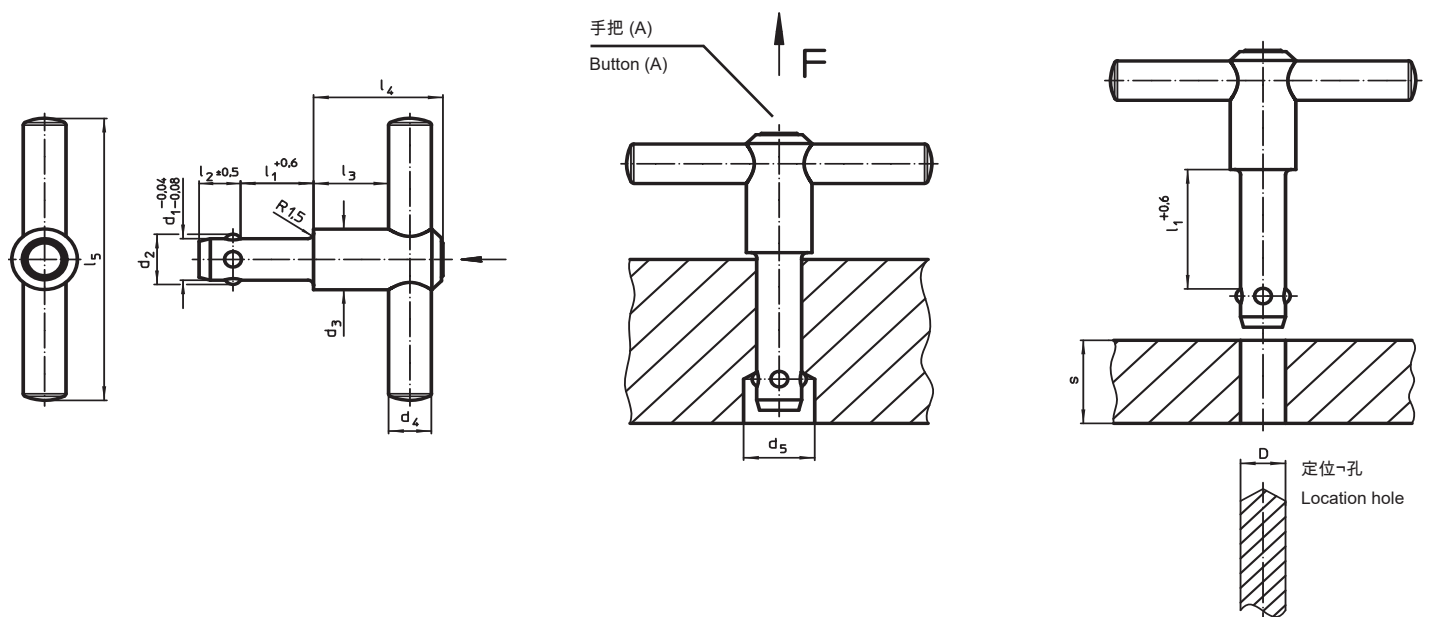
Handling and Load

Release the balls by pressing button (A). Lock the balls by releasing button (A).

Attention: The button (A) is locked after springing back to initial position by means of the spring force. **Do not operate the button under load!**

尺寸 / Dimensions

| d_1 | l_1 | d_2 | d_3 | d_4 | d_5 | l_2 | l_3 | l_4 | l_5 | 运送力量/ Carrying force | 定位-孔/ Location hole | 🌡️ | 📦 | 参考 No. / Art. No. |
|----------------|-------|-------|-------|-------|-------|-------|-------|-------|-------|----------------------------|---------------------------|------|-----|----------------------|
| -0,04 -0,08 | +0,6 | | | | min. | ±0,5 | | | | F_1 | D H11 | max. | | |
| [mm] | | | | | | | | | | [N] | [mm] | [°C] | [g] | |
| 8,0 | 35 | 9,35 | 21,5 | 14 | 9,85 | 8,75 | 18,7 | 36,0 | 100 | 500 | 8,0 | 250 | 136 | 22351.0005 |
| 8,3 | 35 | 9,65 | 21,5 | 14 | 10,05 | 8,75 | 18,7 | 36,0 | 100 | 500 | 8,3 | 250 | 142 | 22351.0010 |
| 10,0 | 50 | 11,70 | 21,5 | 14 | 12,20 | 10,20 | 18,7 | 36,5 | 100 | 500 | 10,0 | 250 | 154 | 22351.0015 |
| 12,0 | 50 | 14,20 | 21,5 | 14 | 14,70 | 11,00 | 18,7 | 36,5 | 100 | 500 | 12,0 | 250 | 177 | 22351.0020 |



维护:

定位扣件每年至少 1 次要由合格人员作定期检查

肉眼检查:

磨损, 破裂, 撕裂, 钢珠受损, 钩环螺丝受损

特性检查:

检查钢珠是否能弹回, 以及钩环能否摆动

Maintenance:

Lifting pins with handle must be taken out of service for proper inspection by a qualified person(s) at least once a year.

Visual inspection:

Grits and grinds, breaks, rips, missing and damaged balls, corrosion or damages of the handle.

Performance check:

Locking mechanism of the balls has to lock automatically by means of the spring force.

如果有疑问或发生误解，德语版本的文件是至关重要的。

In case of doubt or in the event of misunderstandings, the German version of the document is crucial.

FR: La traduction du manuel d' utilisation original dans votre langue avec déclaration de conformité est disponible sous www.halder.com.
IT: Le traduzioni delle istruzioni di produzione e le dichiarazioni di conformità nella tua lingua le puoi trovare al seguente indirizzo: www.halder.com.
ES: Encontrará la traducción de las instrucciones originales del fabricante junto a la Declaración de Conformidad en su idioma en la página www.halder.com.
CZ: Překlad originálního návodu k obsluze s prohlášením o shodě ve svém jazyce naleznete na internetových stránkách www.halder.com.
RO: Traducerea instrucțiunilor producătorului și declarația de conformitate în limba maternă pe site-ul www.halder.com.
PL: Tłumaczenie oryginalnej instrukcji obsługi oraz deklaracji zgodności w języku polskim znajdują Państwo na stronie internetowej www.halder.com.
FI: Käännös alkuperäisistä valmistajan ohjeista vaatimustenmukaisuusvakuutuksineen löytyvät omalla kielellänne internetistä osoitteessa www.halder.com.
SE: Du finner en översättning av tillverkarens instruktioner tillsammans med "letter of conformity" i ditt eget språk på www.halder.com.
NL: U vindt de vertaling van de originele fabrikant instructies met de verklaring van overeenstemming in uw eigen taal op het internet onder www.halder.com.
KR: 홈페이지 www.halder.com 에서 해당국가의 언어로 제조사의 설명서를 보실 수 있습니다.
CN: 您可以在以下网址找到中文版翻译的原厂操作指南与声明 www.halder.com.
TW: 您可以在以下網址找到中文版翻譯的原廠操作指南與聲明 www.halder.com.
JP: 使用説明書と製造者による EC 規則準拠証明は www.halder.com からダウンロードできます。

制造商 / Manufacturer: *

地址 / Address: *

* 對翻譯負責 /
responsible for documentation

Erwin Halder KG
Erwin-Halder-Strasse 5 - 9
88480 Achstetten-Bronnen
Germany

品名 / Product:

品号 / Type:

顶上梢 / Lifting Pin with a handle
EH 22351

Achstetten-Bronnen, 2024 年 3 月


Stefan Halder, 总经理 / General Manager