

绞链 · elongated on both sides

EH 25165.



产品描述

The different versions cover many applications that require a low load.

These metal hinges are characterised by their simple design and the different versions:

- without bores
- with bores
- with bores for countersunk screws

The version without bores can be assembled by welding or by inserting a specific drilling pattern.

材质

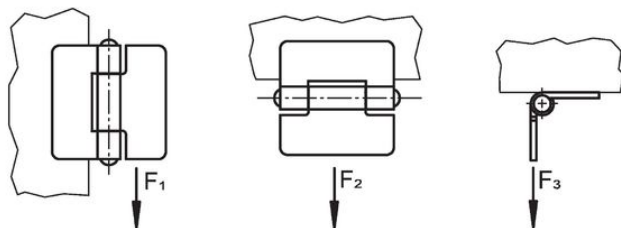
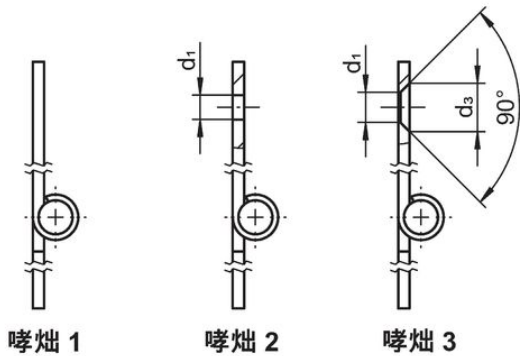
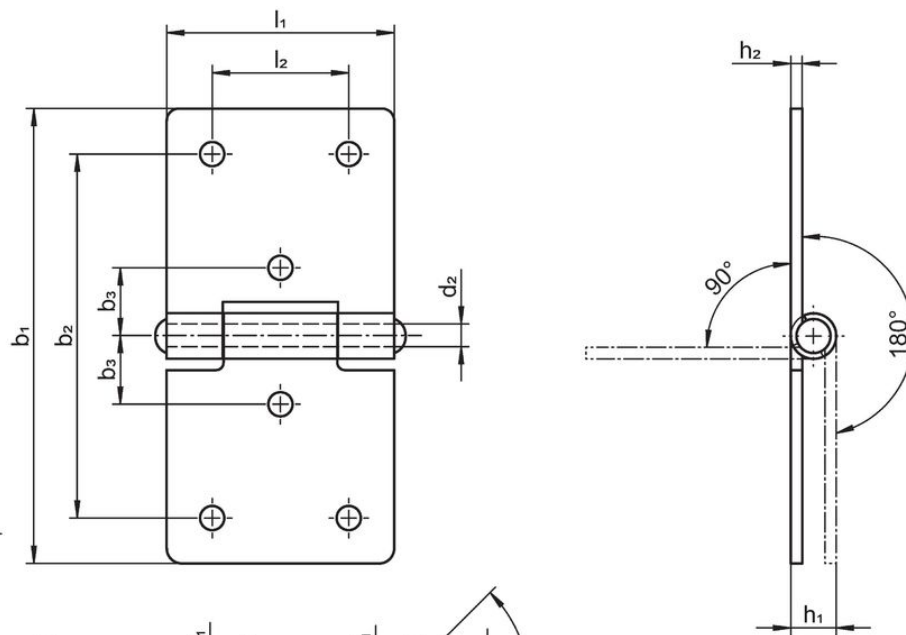
本体

- 不锈钢 1.4301
- 钢, 镀锌, 钝化

轴

- 不锈钢 1.4301

图面



订单信息

b <sub>1</sub>	l <sub>1</sub>	b <sub>2</sub>	b <sub>3</sub>	尺寸						夹持力			[g]	品号	
				d <sub>1</sub>	d <sub>2</sub>	d <sub>3</sub>	h <sub>1</sub> ~	h <sub>2</sub>	l <sub>2</sub>	F <sub>1</sub> ~	F <sub>2</sub> ~ [N]	F <sub>3</sub> ~			
[mm]															
<b>without bores – 相片 1, 不锈钢</b>															
60	30	-	-	-	3	-	6	1,5	-	700	500	450	25	25165.0050	
80	40	-	-	-	4	-	8	2,0	-	1200	1000	1000	59	25165.0075	
100	50	-	-	-	6	-	10	2,0	-	1200	1600	700	99	25165.0005	
120	60	-	-	-	6	-	10	2,0	-	1100	2500	1000	139	25165.0010	
<b>with bores – 相片 2, 不锈钢</b>															
60	30	48	9,0	3,2	3	-	6	1,5	18	700	500	450	24	25165.0150	
80	40	65	12,5	4,2	4	-	8	2,0	25	1200	1000	1000	58	25165.0175	
100	50	80	15,0	5,2	6	-	10	2,0	30	1200	1600	700	98	25165.0105	
120	60	96	18,0	5,2	6	-	10	2,0	36	1100	2500	1000	136	25165.0110	
<b>with bores – 相片 2, 钢</b>															
60	30	48	9,0	3,2	3	-	6	1,5	18	700	500	450	24	25165.1050	
80	40	65	12,5	4,2	4	-	8	2,0	25	1200	1000	1000	58	25165.1075	
100	50	80	15,0	5,2	6	-	10	2,0	30	1200	1600	700	98	25165.1005	
120	60	96	18,0	5,2	6	-	10	2,0	36	1100	2500	1000	136	25165.1010	
<b>with bores for countersunk screws – 相片 3, 不锈钢</b>															
60	30	48	9,0	4,0	3	6,4	6	1,5	18	700	500	450	24	25165.0250	
80	40	65	12,5	5,0	4	8,3	8	2,0	25	1200	1000	1000	58	25165.0275	
100	50	80	15,0	5,0	6	8,3	10	2,0	30	1200	1600	700	98	25165.0205	
120	60	96	18,0	5,0	6	8,3	10	2,0	36	1100	2500	1000	136	25165.0210	
<b>with bores for countersunk screws – 相片 3, 钢</b>															
60	30	48	9,0	4,0	3	6,4	6	1,5	18	700	500	450	24	25165.2050	
80	40	65	12,5	5,0	4	8,3	8	2,0	25	1200	1000	1000	58	25165.2075	
100	50	80	15,0	5,0	6	8,3	10	2,0	30	1200	1600	700	98	25165.2005	
120	60	96	18,0	5,0	6	8,3	10	2,0	36	1100	2500	1000	136	25165.2010	

遵守

符合 RoHS

符合指令 2011/65/EU 和指令 2015/863

不含 SVHC 物质

不含超过 0.1% w/w 的 SVHC 物质 - 截至 2024 年 6 月 27 日的 SVHC 清单。

不含 65 号提案物质

不包括 65 号提案物质

<https://www.P65Warnings.ca.gov/>

不含冲突矿物

„本产品不含来自刚果民主共和国或邻近国家的任何被指定为“冲突矿物”的物质，例如钽、锡、金或钨。