

绞链 · elongated on one side

EH 25165.



产品描述

The different versions cover many applications that require a low load.

These metal hinges are characterised by their simple design and the different versions:

- without bores
- with bores
- with bores for countersunk screws

The version without bores can be assembled by welding or by inserting a specific drilling pattern.

材质

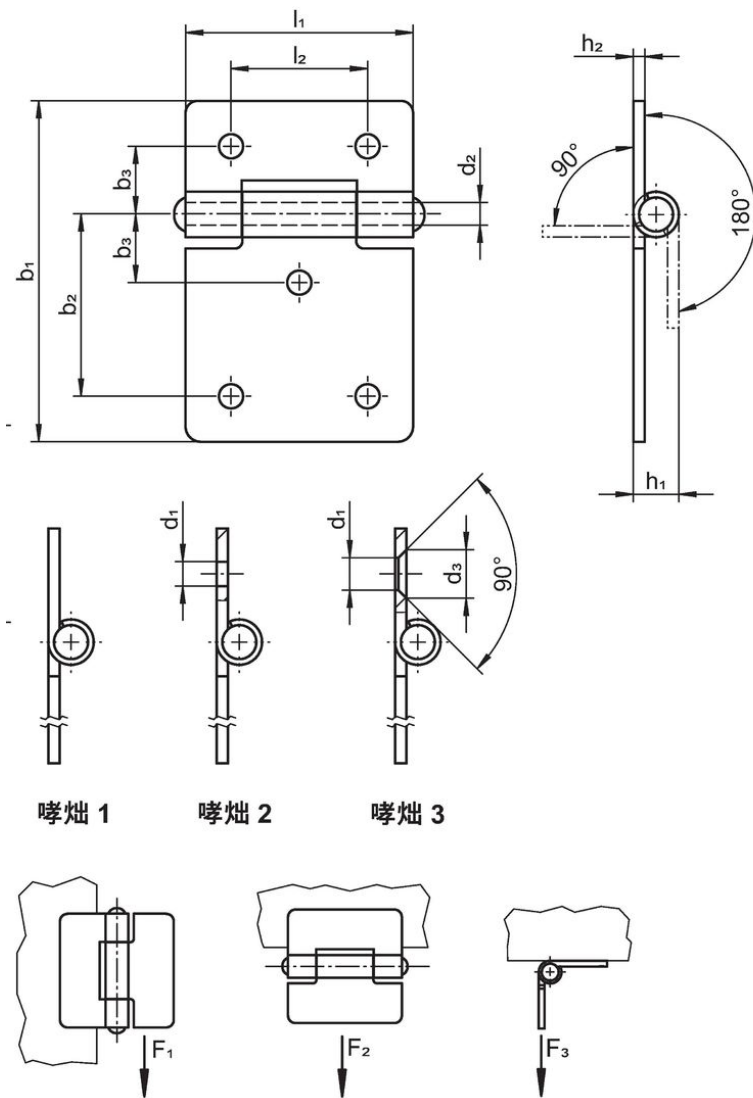
本体

- 不锈钢 1.4301
- 钢, 镀锌, 钝化

轴

- 不锈钢 1.4301

图面



订单信息

b <sub>1</sub>	l <sub>1</sub>	b <sub>2</sub>	b <sub>3</sub>	尺寸						夹持力			[g]	品号
				d <sub>1</sub>	d <sub>2</sub>	d <sub>3</sub>	h <sub>1</sub> ~	h <sub>2</sub>	l <sub>2</sub>	F <sub>1</sub> ~	F <sub>2</sub> ~ [N]	F <sub>3</sub> ~		
[mm]														
<b>without bores – 相片 1, 不锈钢</b>														
45	30	-	-	-	3	-	6	1,5	-	700	500	450	20	25165.0035
60	40	-	-	-	4	-	8	2,0	-	1200	1000	1000	47	25165.0055
75	50	-	-	-	6	-	10	2,0	-	1600	2000	1000	81	25165.0070
90	60	-	-	-	6	-	10	2,0	-	1100	2500	1000	111	25165.0080
<b>with bores – 相片 2, 不锈钢</b>														
45	30	24,0	9,0	3,2	3	-	6	1,5	18	700	500	450	19	25165.0135
60	40	32,5	12,5	4,2	4	-	8	2,0	18	1200	1000	1000	45	25165.0155
75	50	40,0	15,0	5,2	6	-	10	2,0	30	1600	2000	1000	79	25165.0170
90	60	48,0	18,0	5,2	6	-	10	2,0	36	1100	2500	1000	108	25165.0180
<b>with bores – 相片 2, 钢</b>														
45	30	24,0	9,0	3,2	3	-	6	1,5	18	700	500	450	19	25165.1035
60	40	32,5	12,5	4,2	4	-	8	2,0	25	1200	1000	1000	45	25165.1055
75	50	40,0	15,0	5,2	6	-	10	2,0	30	1600	2000	1000	79	25165.1070
90	60	48,0	18,0	5,2	6	-	10	2,0	36	1100	2500	1000	108	25165.1080
<b>with bores for countersunk screws – 相片 3, 不锈钢</b>														
45	30	24,0	9,0	4,0	3	6,4	6	1,5	18	700	500	450	19	25165.0235
60	40	32,5	12,5	5,0	4	8,3	8	2,0	25	1200	1000	1000	45	25165.0255
75	50	40,0	15,0	5,0	6	8,3	10	2,0	30	1600	2000	1000	79	25165.0270
90	60	48,0	18,0	5,0	6	8,3	10	2,0	36	1100	2500	1000	108	25165.0280
<b>with bores for countersunk screws – 相片 3, 钢</b>														
45	30	24,0	9,0	4,0	3	6,4	6	1,5	18	700	500	450	19	25165.2035
60	40	32,5	12,5	5,0	4	8,3	8	2,0	25	1200	1000	1000	45	25165.2055
75	50	40,0	15,0	5,0	6	8,3	10	2,0	30	1600	2000	1000	79	25165.2070
90	60	48,0	18,0	5,0	6	8,3	10	2,0	36	1100	2500	1000	108	25165.2080

遵守

符合 RoHS

符合指令 2011/65/EU 和指令 2015/863

不含 SVHC 物质

不含超过 0.1% w/w 的 SVHC 物质 - 截至 2024 年 6 月 27 日的 SVHC 清单。

不含 65 号提案物质

不包括 65 号提案物质

<https://www.P65Warnings.ca.gov/>

不含冲突矿物

„本产品不含来自刚果民主共和国或邻近国家的任何被指定为“冲突矿物”的物质，例如钽、锡、金或钨。