

绞链

EH 25165.



产品描述

The different versions cover many applications that require a low load.

These metal hinges are characterised by their simple design and the different versions:

- without bores
- with bores
- with bores for countersunk screws

The version without bores can be assembled by welding or by inserting a specific drilling pattern.

材质

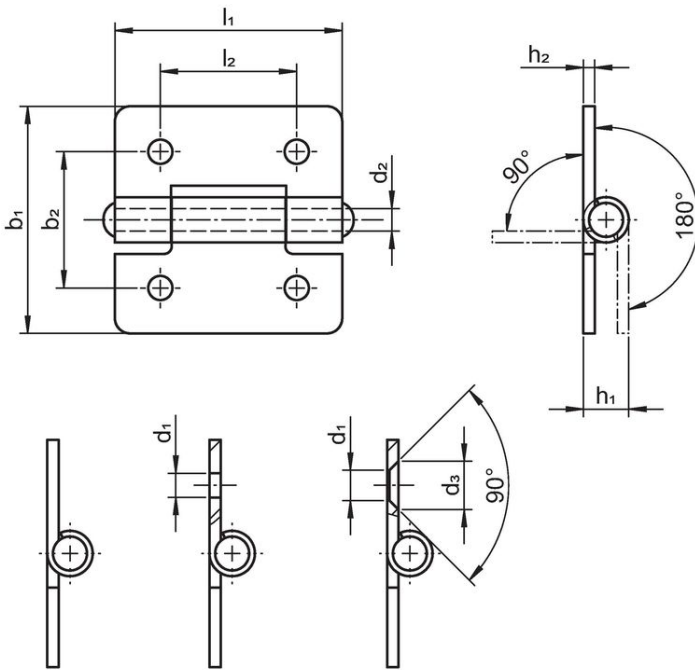
本体

- 不锈钢 1.4301
- 钢, 镀锌, 钝化

轴

- 不锈钢 1.4301

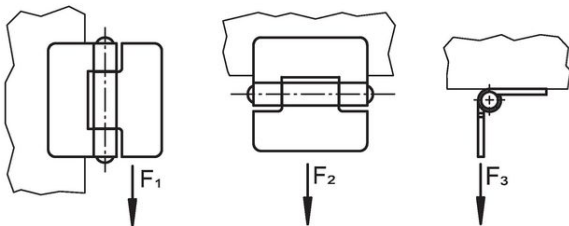
图面



picture 1

picture 2

picture 3



订单信息

b <sub>1</sub>	l <sub>1</sub>	b <sub>2</sub>	d <sub>1</sub>	尺寸					夹持力			[g]	品号
				d <sub>2</sub>	d <sub>3</sub>	h <sub>1</sub> ~	h <sub>2</sub>	l <sub>2</sub>	F <sub>1</sub> ~	F <sub>2</sub> ~ [N]	F <sub>3</sub> ~		
<b>without bores – 相片 1, 不锈钢</b>													
30	30	–	–	3	–	6	1,5	–	700	500	500	15	25165.0015
40	40	–	–	4	–	8	2,0	–	2000	1000	1000	34	25165.0025
50	50	–	–	6	–	10	2,0	–	2500	2000	1000	62	25165.0040
60	60	–	–	6	–	10	2,0	–	2800	2500	1000	83	25165.0060
<b>with bores – 相片 2, 不锈钢</b>													
30	30	18	3,2	3	–	6	1,5	18	700	500	500	15	25165.0115
40	40	25	4,2	4	–	8	2,0	25	2000	1000	1000	33	25165.0125
50	50	30	3,2	6	–	10	2,0	30	2500	2000	1000	61	25165.0140
60	60	36	5,2	6	–	10	2,0	36	2800	2500	1000	80	25165.0160
<b>with bores – 相片 2, 钢</b>													
30	30	18	3,2	3	–	6	1,5	18	700	500	500	15	25165.1015
40	40	25	4,2	4	–	8	2,0	25	2000	1000	1000	33	25165.1025
50	50	30	5,2	6	–	10	2,0	30	2500	2000	1000	61	25165.1040
60	60	36	5,2	6	–	10	2,0	36	2800	2500	1000	80	25165.1060
<b>with bores for countersunk screws – 相片 3, 不锈钢</b>													
30	30	18	4,0	3	6,4	6	1,5	18	700	500	500	15	25165.0215
40	40	25	4,0	5	8,3	8	2,0	25	2000	1000	1000	33	25165.0225
50	50	30	4,0	6	8,3	10	2,0	30	2500	2000	1000	61	25165.0240
60	60	36	5,0	6	8,3	10	2,0	36	2800	2500	1000	80	25165.0260
<b>with bores for countersunk screws – 相片 3, 钢</b>													
30	30	18	4,0	3	6,4	6	1,5	18	700	500	500	15	25165.2015
40	40	25	5,0	4	8,3	8	2,0	25	2000	1000	1000	33	25165.2025
50	50	30	5,0	6	8,3	10	2,0	30	2500	2000	1000	61	25165.2040
60	60	36	5,0	6	8,3	10	2,0	36	2800	2500	1000	80	25165.2060

遵守

符合 RoHS

符合指令 2011/65/EU 和指令 2015/863

不含 SVHC 物质

不含超过 0.1% w/w 的 SVHC 物质 - 截至 2024 年 1 月 23 日的 SVHC 清单。

不含 65 号提案物质

不包括 65 号提案物质

<https://www.P65Warnings.ca.gov/>

不含冲突矿物

„本产品不含来自刚果民主共和国或邻近国家的任何被指定为“冲突矿物”的物质，例如钽、锡、金或钨。