

绞链 · stainless steel, elongated on one side

EH 25162.



产品描述

These hinges from stainless steel are characterised by the compact design. The hinge pins are form-fit pressed and are therefore suitable for use in case of strong vibrations and shocks. Appropriate friction pairings of the hinge components and the lubrication reduce abrasion to a minimum. The version with centering steps avoids lateral slipping under high loads and thus protects the fixing screws from unacceptable lateral forces.

材质

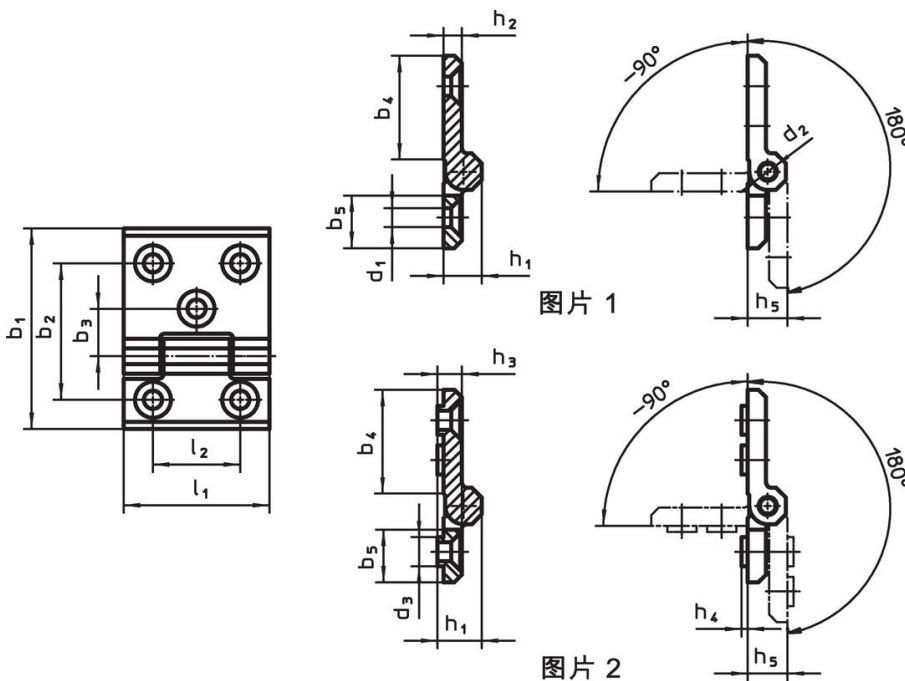
本体

- Stainless steel 1.4405, dull blasted
- Stainless steel 1.4405, plastic-coated, black similar to RAL 9005, structure matt

轴

- 不锈钢

图面



订单信息

b ₁	l ₁	b ₂	b ₃	b ₄	b ₅	尺寸			h ₁	h ₂	h ₃	h ₄	h ₅	l ₂	[g]	品号
						d ₁	d ₂	d ₃								
[mm]																
one-sided with additional mounting hole – 相片 1, 雾面																
63	50	43	15,0	34	21,0	6,3	6	9,5	12,5	6	6,5	2	13	30	135	25162.0055
90	60	63	22,5	56	25,5	8,3	8	12,5	16,0	8	8,5	3	17	36	309	25162.0085
120	80	85	30,0	75	36,0	10,3	10	14,5	20,0	10	10,5	4	21	50	677	25162.0015
one-sided with additional mounting hole – 相片 1, 黑色																
63	50	43	15,0	34	21,0	6,3	6	9,5	12,5	6	6,5	2	13	30	135	25162.0155
90	60	63	22,5	56	25,5	8,3	8	12,5	16,0	8	8,5	3	17	36	309	25162.0185
120	80	85	30,0	75	36,0	10,3	10	14,5	20,0	10	10,5	4	21	50	677	25162.0115
one-sided with additional mounting hole and centering inserts – 相片 2, 雾面																
63	50	43	15,0	34	21,0	6,3	6	9,5	12,5	6	6,5	2	13	30	142	25162.0060
90	60	63	22,5	56	25,5	8,3	8	12,5	16,0	8	8,5	3	17	36	317	25162.0090
120	80	85	30,0	75	36,0	10,3	10	14,5	20,0	10	10,5	4	21	50	690	25162.0020

尺寸															[g]	品号
b ₁	l ₁	b ₂	b ₃	b ₄	b ₅	d ₁	d ₂	d ₃	h ₁	h ₂	h ₃	h ₄	h ₅	l ₂		
[mm]																
one-sided with additional mounting hole and centring inserts – 相片 2, 黑色																
63	50	43	15,0	34	21,0	6,3	6	9,5	12,5	6	6,5	2	13	30	142	25162.0160
90	60	63	22,5	56	25,5	8,3	8	12,5	16,0	8	8,5	3	17	36	317	25162.0190
120	80	85	30,0	75	36,0	10,3	10	14,5	20,0	10	10,5	4	21	50	690	25162.0120

遵守

符合 RoHS

符合指令 2011/65/EU 和指令 2015/863

不含 SVHC 物质

不含超过 0.1% w/w 的 SVHC 物质 - 截至 2024 年 6 月 27 日的 SVHC 清单。

不含 65 号提案物质

不包括 65 号提案物质

<https://www.P65Warnings.ca.gov/>

不含冲突矿物

„本产品不含来自刚果民主共和国或邻近国家的任何被指定为“冲突矿物”的物质，例如钽、锡、金或钨。