

橡胶终端止动缓冲器 · 截顶圆锥样式

EH 25150.



产品描述

被用作一个弹性止端，轴承脚等。
硬度为55 - 5°A。硬度 (40 - 5°邵氏A和70 - 5°邵氏A) 的要求。

材质

轴承垫片

- 钢，镀锌，钝化
- 不锈钢 1.4301

螺纹衬套

- 钢，镀锌，钝化
- 不锈钢 1.4301

本体

- NBR

螺丝

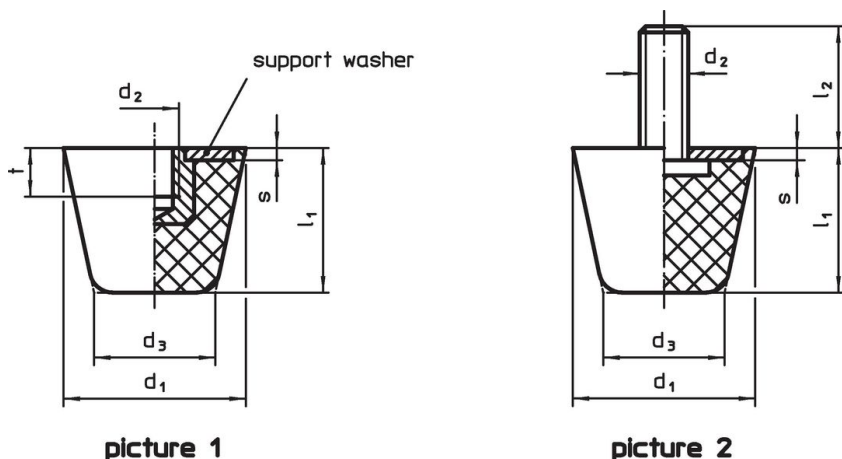
- 钢，镀锌，钝化
- 不锈钢 1.4301

更多信息

更多产品

- 支撑脚，冲击缓冲
- 矽氧树脂终点停止缓冲，截顶圆锥样式

图面





picture 1

picture 2

订单信息

尺寸		弹簧 比率 R ~ [N/mm]	荷重能力 max. [N]	弹簧范围 ~ [mm]	温度		重量 [g]	品号					
d ₁	d ₂				min	max.							
[mm]					[°C]								
有母牙 – 相片 1, 钢													
19	M 5	–	12,0	16,0	2	5	28	110	4,00	-30	80	7,0	25150.0719
25	M 6	–	16,5	20,5	2	6	82	430	5,25	-30	80	14,0	25150.0725
32	M 8	–	21,0	26,0	2	8	140	910	6,50	-30	80	27,0	25150.0732
38	M 8	–	24,5	32,0	2	8	125	1200	9,50	-30	80	43,0	25150.0738
50	M10	–	32,0	43,0	2	10	155	1620	10,50	-30	80	93,0	25150.0750
有母牙 – 相片 1, 不锈钢													
19	M 5	–	12,0	16,0	2	5	28	110	4,00	-30	80	7,0	25150.0919
25	M 6	–	16,5	20,5	2	6	82	430	5,25	-30	80	14,0	25150.0925
32	M 8	–	21,0	26,0	2	8	140	910	6,50	-30	80	27,0	25150.0932
38	M 8	–	24,5	32,0	2	8	125	1200	9,50	-30	80	43,0	25150.0938
50	M10	–	32,0	43,0	2	10	155	1620	10,50	-30	80	93,0	25150.0950
有螺丝 – 相片 2, 钢													
19	M 5	6	12,0	16,0	2	–	28	110	4,00	-30	80	8,0	25150.0819
19	M 5	10	12,0	16,0	2	–	28	110	4,00	-30	80	6,1	25150.0820
19	M 5	20	12,0	16,0	2	–	28	110	4,00	-30	80	8,7	25150.0821
25	M 6	8	16,5	20,5	2	–	82	430	5,25	-30	80	16,0	25150.0825
25	M 6	12	16,5	20,5	2	–	82	430	5,25	-30	80	17,0	25150.0826

d ₁	d ₂	l ₂	尺寸				t ~	弹簧 比率 R ~ [N/mm]	荷重能力 max. [N]	弹簧范围 ~ [mm]	 min max. [°C]		 [g]	品号
			d ₃ [mm]	l ₁	s									
25	M 6	25	16,5	20,5	2	-	82	430	5,25	-30	80	19,0	25150.0827	
32	M 8	10	21,0	26,0	2	-	140	910	6,50	-30	80	30,0	25150.0832	
32	M 8	16	21,0	26,0	2	-	140	910	6,50	-30	80	32,0	25150.0833	
32	M 8	30	21,0	26,0	2	-	140	910	6,50	-30	80	36,0	25150.0834	
38	M 8	10	24,5	32,0	2	-	125	1200	9,50	-30	80	47,0	25150.0838	
38	M 8	16	24,5	32,0	2	-	125	1200	9,50	-30	80	48,0	25150.0839	
38	M 8	30	24,5	32,0	2	-	125	1200	9,50	-30	80	52,0	25150.0840	
50	M10	12	32,0	43,0	2	-	155	1620	10,50	-30	80	101,0	25150.0850	
50	M10	20	32,0	43,0	2	-	155	1620	10,50	-30	80	104,0	25150.0851	
50	M10	40	32,0	43,0	2	-	155	1620	10,50	-30	80	112,0	25150.0852	
有螺丝 – 相片 2, 不锈钢														
19	M 5	6	12,0	16,0	2	-	28	110	4,00	-30	80	8,0	25150.1019	
19	M 5	10	12,0	16,0	2	-	28	110	4,00	-30	80	6,1	25150.1020	
19	M 5	20	12,0	16,0	2	-	28	110	4,00	-30	80	8,7	25150.1021	
25	M 6	8	16,5	20,5	2	-	82	430	5,25	-30	80	16,0	25150.1025	
25	M 6	12	16,5	20,5	2	-	82	430	5,25	-30	80	17,0	25150.1026	
25	M 6	25	16,5	20,5	2	-	82	430	5,25	-30	80	19,0	25150.1027	
32	M 8	10	21,0	26,0	2	-	140	910	6,50	-30	80	30,0	25150.1032	
32	M 8	16	21,0	26,0	2	-	140	910	6,50	-30	80	32,0	25150.1033	
32	M 8	30	21,0	26,0	2	-	140	910	6,50	-30	80	36,0	25150.1034	
38	M 8	10	24,5	32,0	2	-	125	1200	9,50	-30	80	47,0	25150.1038	
38	M 8	16	24,5	32,0	2	-	125	1200	9,50	-30	80	48,0	25150.1039	
38	M 8	30	24,5	32,0	2	-	125	1200	9,50	-30	80	52,0	25150.1040	
50	M10	12	32,0	43,0	2	-	155	1620	10,50	-30	80	101,0	25150.1050	
50	M10	20	32,0	43,0	2	-	155	1620	10,50	-30	80	104,0	25150.1051	
50	M10	40	32,0	43,0	2	-	155	1620	10,50	-30	80	112,0	25150.1052	

遵守

For detailed compliance information please select the desired article number.