

固定轴环 EH 25069.



产品描述

固定轴环具有通用功能，例如：固定止动。
以强夹力设定轴环。

材质

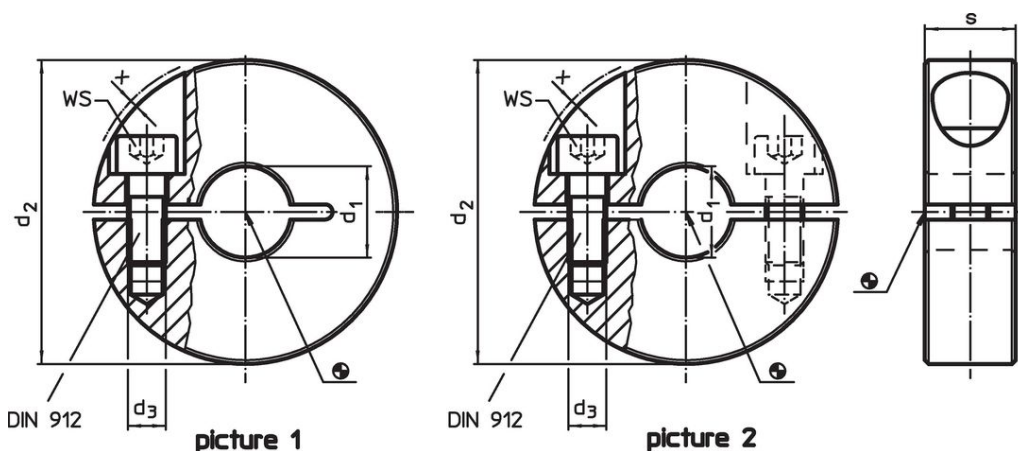
螺丝

- 钢
- 不锈钢


轴环


- 钢、黑色、蒸汽氧化
- 镀锌

图面

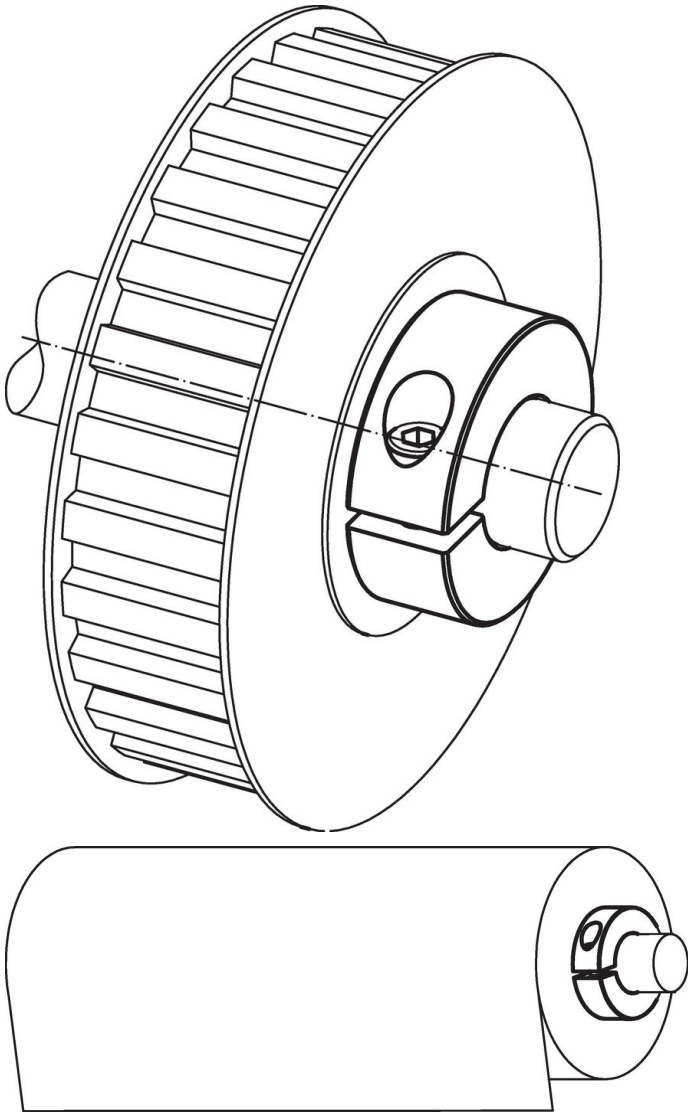


订单信息

| d_1 H10 | d_2 | 尺寸 d_3 [mm] | s | x | WS [mm] |  [g] | 品号 |
|------------------------|-------|---------------------|-----|-----|------------|--|------------|
| 有槽沟 – 相片 1, 钢 | | | | | | | |
| 6 | 20 | M3 | 9 | 1,2 | 2,5 | 20 | 25069.0006 |
| 8 | 22 | M3 | 9 | 1,0 | 2,5 | 18 | 25069.0008 |
| 10 | 26 | M4 | 11 | 1,6 | 3,0 | 32 | 25069.0010 |
| 12 | 30 | M4 | 11 | 0,7 | 3,0 | 42 | 25069.0012 |
| 14 | 32 | M4 | 11 | 0,7 | 3,0 | 40 | 25069.0014 |
| 15 | 36 | M5 | 13 | 1,4 | 4,0 | 70 | 25069.0015 |
| 16 | 36 | M5 | 13 | 1,4 | 4,0 | 68 | 25069.0016 |
| 18 | 42 | M5 | 15 | 0,6 | 4,0 | 109 | 25069.0018 |
| 20 | 42 | M5 | 15 | 0,6 | 4,0 | 103 | 25069.0020 |
| 22 | 48 | M5 | 15 | 0,0 | 4,0 | 138 | 25069.0022 |
| 25 | 48 | M5 | 15 | 0,0 | 4,0 | 126 | 25069.0025 |
| 28 | 55 | M6 | 15 | 0,5 | 5,0 | 171 | 25069.0028 |
| 30 | 55 | M6 | 15 | 0,5 | 5,0 | 162 | 25069.0030 |
| 32 | 60 | M6 | 15 | 0,4 | 5,0 | 196 | 25069.0032 |
| 35 | 60 | M6 | 15 | 0,4 | 5,0 | 178 | 25069.0035 |
| 40 | 65 | M6 | 15 | 0,5 | 5,0 | 200 | 25069.0040 |
| 有槽沟 – 相片 1, 不锈钢 | | | | | | | |
| 6 | 20 | M3 | 9 | 1,2 | 2,5 | 20 | 25069.0106 |
| 8 | 22 | M3 | 9 | 1,0 | 2,5 | 18 | 25069.0108 |
| 10 | 26 | M4 | 11 | 1,6 | 3,0 | 32 | 25069.0110 |
| 12 | 30 | M4 | 11 | 0,7 | 3,0 | 42 | 25069.0112 |

| d ₁ H10 | d ₂ | 尺寸 | | | WS |  | 品号 |
|------------------------|----------------|------------------------|----|-----|-----|---|------------|
| | | d ₃ [mm] | s | x | | | |
| 14 | 32 | M4 | 11 | 0,7 | 3,0 | 40 | 25069.0114 |
| 15 | 36 | M5 | 13 | 1,4 | 4,0 | 70 | 25069.0115 |
| 16 | 36 | M5 | 13 | 1,4 | 4,0 | 68 | 25069.0116 |
| 18 | 42 | M5 | 15 | 0,6 | 4,0 | 109 | 25069.0118 |
| 20 | 42 | M5 | 15 | 0,6 | 4,0 | 103 | 25069.0120 |
| 22 | 48 | M5 | 15 | 0,0 | 4,0 | 138 | 25069.0122 |
| 25 | 48 | M5 | 15 | 0,0 | 4,0 | 126 | 25069.0125 |
| 28 | 55 | M6 | 15 | 0,5 | 5,0 | 171 | 25069.0128 |
| 30 | 55 | M6 | 15 | 0,5 | 5,0 | 162 | 25069.0130 |
| 32 | 60 | M6 | 15 | 0,4 | 5,0 | 196 | 25069.0132 |
| 35 | 60 | M6 | 15 | 0,4 | 5,0 | 178 | 25069.0135 |
| 40 | 65 | M6 | 15 | 0,5 | 5,0 | 200 | 25069.0140 |
| 分割的 – 相片 2, 钢 | | | | | | | |
| 6 | 20 | M3 | 9 | 1,2 | 2,5 | 15 | 25069.0206 |
| 8 | 22 | M3 | 9 | 1,0 | 2,5 | 20 | 25069.0208 |
| 10 | 26 | M4 | 11 | 1,6 | 3,0 | 31 | 25069.0210 |
| 12 | 30 | M4 | 11 | 0,7 | 3,0 | 39 | 25069.0212 |
| 14 | 32 | M4 | 11 | 0,7 | 3,0 | 43 | 25069.0214 |
| 15 | 36 | M5 | 13 | 1,4 | 4,0 | 65 | 25069.0215 |
| 16 | 36 | M5 | 13 | 1,4 | 4,0 | 64 | 25069.0216 |
| 18 | 42 | M5 | 15 | 0,6 | 4,0 | 103 | 25069.0218 |
| 20 | 42 | M5 | 15 | 0,6 | 4,0 | 98 | 25069.0220 |
| 22 | 48 | M5 | 15 | 0,0 | 4,0 | 135 | 25069.0222 |
| 25 | 48 | M5 | 15 | 0,0 | 4,0 | 122 | 25069.0225 |
| 28 | 55 | M6 | 15 | 0,5 | 5,0 | 165 | 25069.0228 |
| 30 | 55 | M6 | 15 | 0,5 | 5,0 | 153 | 25069.0230 |
| 32 | 60 | M6 | 15 | 0,4 | 5,0 | 187 | 25069.0232 |
| 35 | 60 | M6 | 15 | 0,4 | 5,0 | 170 | 25069.0235 |
| 40 | 65 | M6 | 15 | 0,5 | 5,0 | 189 | 25069.0240 |
| 分割的 – 相片 2, 不锈钢 | | | | | | | |
| 6 | 20 | M3 | 9 | 1,2 | 2,5 | 15 | 25069.0306 |
| 8 | 22 | M3 | 9 | 1,0 | 2,5 | 20 | 25069.0308 |
| 10 | 26 | M4 | 11 | 1,6 | 3,0 | 31 | 25069.0310 |
| 12 | 30 | M4 | 11 | 0,7 | 3,0 | 39 | 25069.0312 |
| 14 | 32 | M4 | 11 | 0,7 | 3,0 | 43 | 25069.0314 |
| 15 | 36 | M5 | 13 | 1,4 | 4,0 | 65 | 25069.0315 |
| 16 | 36 | M5 | 13 | 1,4 | 4,0 | 64 | 25069.0316 |
| 18 | 42 | M5 | 15 | 0,6 | 4,0 | 103 | 25069.0318 |
| 20 | 42 | M5 | 15 | 0,6 | 4,0 | 98 | 25069.0320 |
| 22 | 48 | M5 | 15 | 0,0 | 4,0 | 135 | 25069.0322 |
| 25 | 48 | M5 | 15 | 0,0 | 4,0 | 122 | 25069.0325 |
| 28 | 55 | M6 | 15 | 0,5 | 5,0 | 165 | 25069.0328 |
| 30 | 55 | M6 | 15 | 0,5 | 5,0 | 153 | 25069.0330 |
| 32 | 60 | M6 | 15 | 0,4 | 5,0 | 187 | 25069.0332 |
| 35 | 60 | M6 | 15 | 0,4 | 5,0 | 170 | 25069.0335 |
| 40 | 65 | M6 | 15 | 0,5 | 5,0 | 189 | 25069.0340 |

应用范例



遵守

For detailed compliance information please select the desired article number.