

高压花的手转螺丝 · DIN 464

EH 24790.



产品描述

Knurled thumb screws are very versatile. Three material versions for the different requirements

- steel, blackened
- steel, zinc-plated by galvanization
- stainless steel

are available.

Knurled thumb screws can be easily tightened and released by hand. The ribbed outer surface of the nut prevents slipping when tightening / releasing with the fingers.

所有滚花螺丝皆是一体成型的製品。不同于「官方标准表」，其整体都有螺纹直至顶部，但于螺纹末端却无凹槽。

材质

- 钢、染黑、品质 5.8
- Steel, zinc-plated by galvanization, quality 5.8
- 不锈钢 1.4305, 钝化喷砂

更多信息

注意事项

根据 DIN 规范，压花的间距和深度也不同。

更多产品

- 平压花姆指螺帽，DIN 653

图面



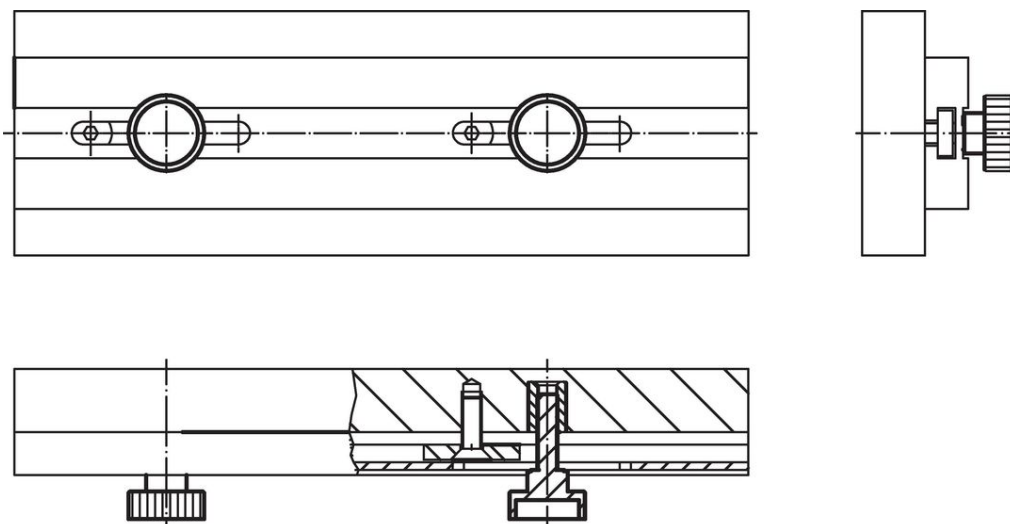
订单信息

d ₁	l	d ₂	尺寸			[g]	品号
			d ₃	h	k		
[mm]							
钢、染黑、品质 5.8							
M 3	6	12	6	7,5	2,5	3,7	24790.0074
M 3	10	12	6	7,5	2,5	3,8	24790.0076
M 3	12	12	6	7,5	2,5	4,0	24790.0077
M 3	16	12	6	7,5	2,5	4,0	24790.0079
M 3	20	12	6	7,5	2,5	4,5	24790.0081
M 4	5	16	8	9,5	3,5	7,7	24790.0092
M 4	8	16	8	9,5	3,5	8,0	24790.0094
M 4	10	16	8	9,5	3,5	8,1	24790.0095
M 4	12	16	8	9,5	3,5	8,6	24790.0096
M 4	16	16	8	9,5	3,5	8,4	24790.0098
M 4	20	16	8	9,5	3,5	9,1	24790.0100
M 4	25	16	8	9,5	3,5	9,0	24790.0102
M 5	6	20	10	11,5	4,0	14,0	24790.0112
M 5	8	20	10	11,5	4,0	15,0	24790.0113
M 5	10	20	10	11,5	4,0	15,0	24790.0114
M 5	12	20	10	11,5	4,0	15,0	24790.0115
M 5	16	20	10	11,5	4,0	16,0	24790.0117
M 5	20	20	10	11,5	4,0	16,0	24790.0119

d ₁	l	d ₂	尺寸			m	品号
			d ₃ [mm]	h	k		
M 5	25	20	10	11,5	4,0	17,0	24790.0121
M 5	30	20	10	11,5	4,0	17,0	24790.0123
M 6	8	24	12	15,0	5,0	28,0	24790.0132
M 6	10	24	12	15,0	5,0	27,0	24790.0133
M 6	12	24	12	15,0	5,0	28,0	24790.0134
M 6	16	24	12	15,0	5,0	28,0	24790.0136
M 6	20	24	12	15,0	5,0	29,0	24790.0138
M 6	25	24	12	15,0	5,0	30,0	24790.0140
M 6	30	24	12	15,0	5,0	31,0	24790.0142
M 6	35	24	12	15,0	5,0	31,0	24790.0144
M 8	12	30	16	18,0	6,0	53,0	24790.0152
M 8	16	30	16	18,0	6,0	55,0	24790.0154
M 8	20	30	16	18,0	6,0	56,0	24790.0156
M 8	25	30	16	18,0	6,0	58,0	24790.0158
M 8	30	30	16	18,0	6,0	60,0	24790.0160
M 8	35	30	16	18,0	6,0	62,0	24790.0162
M 8	40	30	16	18,0	6,0	61,0	24790.0164
M10	15	36	20	23,0	8,0	104,0	24790.0171
M10	20	36	20	23,0	8,0	106,0	24790.0173
M10	25	36	20	23,0	8,0	109,0	24790.0175
M10	30	36	20	23,0	8,0	112,0	24790.0177
M10	35	36	20	23,0	8,0	116,0	24790.0179
M10	40	36	20	23,0	8,0	116,0	24790.0181
钢, 镀锌							
M 3	6	12	6	7,5	2,5	4,0	24790.0474
M 3	8	12	6	7,5	2,5	4,0	24790.0475
M 3	10	12	6	7,5	2,5	4,0	24790.0476
M 3	12	12	6	7,5	2,5	4,0	24790.0477
M 3	16	12	6	7,5	2,5	5,0	24790.0479
M 3	20	12	6	7,5	2,5	5,0	24790.0481
M 4	5	16	8	9,5	3,5	9,0	24790.0492
M 4	8	16	8	9,5	3,5	8,0	24790.0494
M 4	10	16	8	9,5	3,5	8,0	24790.0495
M 4	12	16	8	9,5	3,5	8,0	24790.0496
M 4	16	16	8	9,5	3,5	8,0	24790.0498
M 4	20	16	8	9,5	3,5	9,0	24790.0500
M 4	25	16	8	9,5	3,5	9,0	24790.0502
M 5	6	20	10	11,5	4,0	15,0	24790.0512
M 5	8	20	10	11,5	4,0	15,0	24790.0513
M 5	10	20	10	11,5	4,0	15,0	24790.0514
M 5	12	20	10	11,5	4,0	14,0	24790.0515
M 5	16	20	10	11,5	4,0	15,0	24790.0517
M 5	20	20	10	11,5	4,0	16,0	24790.0519
M 5	25	20	10	11,5	4,0	16,0	24790.0521
M 5	30	20	10	11,5	4,0	17,0	24790.0523
M 6	8	24	12	15,0	5,0	27,0	24790.0532
M 6	10	24	12	15,0	5,0	27,0	24790.0533
M 6	12	24	12	15,0	5,0	27,0	24790.0534
M 6	16	24	12	15,0	5,0	28,0	24790.0536
M 6	20	24	12	15,0	5,0	29,0	24790.0538
M 6	25	24	12	15,0	5,0	28,0	24790.0540
M 6	30	24	12	15,0	5,0	30,0	24790.0542
M 6	35	24	12	15,0	5,0	31,0	24790.0544
M 8	12	30	16	18,0	6,0	55,0	24790.0552
M 8	16	30	16	18,0	6,0	55,0	24790.0554
M 8	20	30	16	18,0	6,0	56,0	24790.0556
M 8	25	30	16	18,0	6,0	58,0	24790.0558
M 8	30	30	16	18,0	6,0	50,0	24790.0560
M 8	35	30	16	18,0	6,0	63,0	24790.0562
M 8	40	30	16	18,0	6,0	62,0	24790.0564
M10	12	36	20	23,0	8,0	105,0	24790.0570
M10	15	36	20	23,0	8,0	106,0	24790.0571

d ₁	l	d ₂	尺寸			k	[g]	品号
			d ₃	h	[mm]			
M10	20	36	20	23,0	8,0	107,0	24790.0573	
M10	25	36	20	23,0	8,0	110,0	24790.0575	
M10	30	36	20	23,0	8,0	112,0	24790.0577	
M10	35	36	20	23,0	8,0	115,0	24790.0579	
M10	40	36	20	23,0	8,0	116,0	24790.0581	
不锈钢 1.4305								
M 3	6	12	6	7,5	2,5	3,7	24790.0274	
M 3	10	12	6	7,5	2,5	3,8	24790.0276	
M 3	12	12	6	7,5	2,5	4,0	24790.0277	
M 3	16	12	6	7,5	2,5	4,0	24790.0279	
M 4	8	16	8	9,5	3,5	8,0	24790.0294	
M 4	10	16	8	9,5	3,5	8,1	24790.0295	
M 4	12	16	8	9,5	3,5	8,6	24790.0296	
M 4	16	16	8	9,5	3,5	8,4	24790.0298	
M 4	20	16	8	9,5	3,5	9,1	24790.0300	
M 4	25	16	8	9,5	3,5	9,0	24790.0302	
M 5	10	20	10	11,5	4,0	15,0	24790.0314	
M 5	12	20	10	11,5	4,0	15,0	24790.0315	
M 5	16	20	10	11,5	4,0	16,0	24790.0317	
M 5	20	20	10	11,5	4,0	16,0	24790.0319	
M 5	25	20	10	11,5	4,0	17,0	24790.0321	
M 5	30	20	10	11,5	4,0	17,0	24790.0323	
M 6	12	24	12	15,0	5,0	28,0	24790.0334	
M 6	16	24	12	15,0	5,0	28,0	24790.0336	
M 6	20	24	12	15,0	5,0	29,0	24790.0338	
M 6	25	24	12	15,0	5,0	30,0	24790.0340	
M 6	30	24	12	15,0	5,0	31,0	24790.0342	
M 6	35	24	12	15,0	5,0	31,0	24790.0344	
M 8	16	30	16	18,0	6,0	55,0	24790.0354	
M 8	20	30	16	18,0	6,0	56,0	24790.0356	
M 8	25	30	16	18,0	6,0	58,0	24790.0358	
M 8	30	30	16	18,0	6,0	60,0	24790.0360	
M 8	35	30	16	18,0	6,0	62,0	24790.0362	

应用范例



遵守

For detailed compliance information please select the desired article number.