

## 星型把手螺丝 · 塑胶

EH 24750.



### 产品描述

#### 材质

##### 盖子

- 热可塑性塑料 (PA), 黑色 RAL 9005
- 热可塑性塑料 (PA), 白色 RAL 9019.
- 热可塑性塑料 (PA) 橘色 RAL 2004
- 热可塑性塑料 (PA), 黄色 RAL 1016.
- 热可塑性塑料 (PA), 蓝色 RAL 5015.

##### 把手

- 热可塑性塑料 (PA6), 黑色 RAL 9005

##### 螺丝

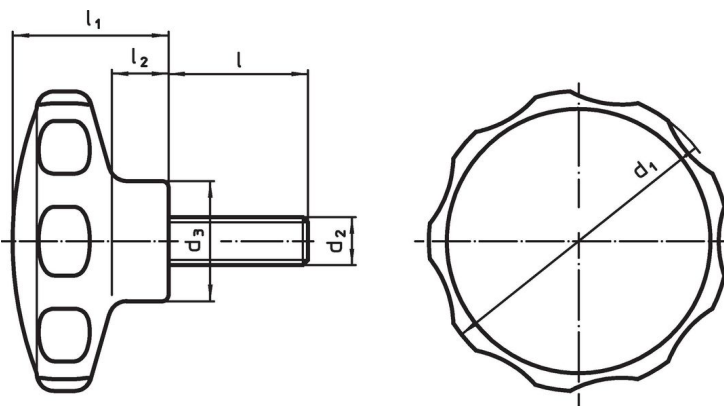
- 不锈钢

### 更多信息

#### 注意事项

特殊制作, 例如: 不同的螺纹或螺纹长度, 欢迎洽询。

### 图面



### 订单信息

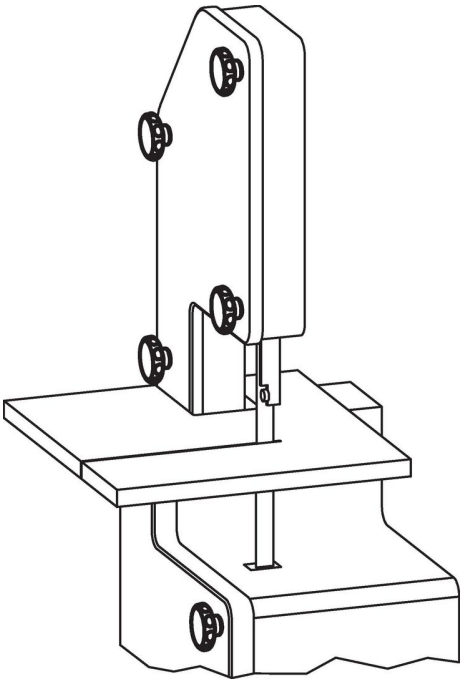
			尺寸				温度		重量	品号
d <sub>1</sub>	d <sub>2</sub>	l	d <sub>3</sub>	l <sub>1</sub>	l <sub>2</sub>	min	max.	[g]		
			[mm]	[°C]						
<b>黑色</b>										
30	M 4	10	14,0	19	7	-30	80	6,1	<a href="#">24750.0100</a>	
30	M 4	14	14,0	19	7	-30	80	6,6	<a href="#">24750.0110</a>	
30	M 4	18	14,0	19	7	-30	80	6,9	<a href="#">24750.0120</a>	
30	M 4	23	14,0	19	7	-30	80	7,3	<a href="#">24750.0130</a>	
30	M 4	28	14,0	19	7	-30	80	7,7	<a href="#">24750.0140</a>	
30	M 5	10	14,0	19	7	-30	80	7,5	<a href="#">24750.0150</a>	
30	M 5	14	14,0	19	7	-30	80	7,9	<a href="#">24750.0160</a>	
30	M 5	18	14,0	19	7	-30	80	8,4	<a href="#">24750.0170</a>	
30	M 5	23	14,0	19	7	-30	80	9,0	<a href="#">24750.0180</a>	
30	M 5	28	14,0	19	7	-30	80	9,0	<a href="#">24750.0190</a>	
40	M 5	10	16,5	22	9	-30	80	9,6	<a href="#">24750.0200</a>	
40	M 5	14	16,5	22	9	-30	80	10,0	<a href="#">24750.0210</a>	
40	M 5	18	16,5	22	9	-30	80	11,0	<a href="#">24750.0220</a>	
40	M 5	23	16,5	22	9	-30	80	12,0	<a href="#">24750.0230</a>	
40	M 5	28	16,5	22	9	-30	80	12,0	<a href="#">24750.0240</a>	
40	M 6	14	16,5	22	9	-30	80	12,0	<a href="#">24750.0250</a>	
40	M 6	18	16,5	22	9	-30	80	13,0	<a href="#">24750.0260</a>	
40	M 6	23	16,5	22	9	-30	80	14,0	<a href="#">24750.0270</a>	
40	M 6	28	16,5	22	9	-30	80	15,0	<a href="#">24750.0280</a>	
40	M 6	38	16,5	22	9	-30	80	16,0	<a href="#">24750.0290</a>	
50	M 6	14	22,0	26	10	-30	80	19,0	<a href="#">24750.0300</a>	
50	M 6	18	22,0	26	10	-30	80	19,0	<a href="#">24750.0310</a>	
50	M 6	23	22,0	26	10	-30	80	20,0	<a href="#">24750.0320</a>	

尺寸						温度		重量 [g]	品号
d <sub>1</sub>	d <sub>2</sub>	l	d <sub>3</sub> [mm]	l <sub>1</sub>	l <sub>2</sub>	min	max.		
						[°C]			
50	M 6	28	22,0	26	10	-30	80	21,0	24750.0330
50	M 6	38	22,0	26	10	-30	80	23,0	24750.0340
50	M 8	18	22,0	26	10	-30	80	26,0	24750.0350
50	M 8	23	22,0	26	10	-30	80	27,0	24750.0360
50	M 8	28	22,0	26	10	-30	80	29,0	24750.0370
50	M 8	38	22,0	26	10	-30	80	32,0	24750.0380
50	M 8	48	22,0	26	10	-30	80	35,0	24750.0390
62	M 8	18	22,0	35	13	-30	80	40,0	24750.0400
62	M 8	23	22,0	35	13	-30	80	41,0	24750.0410
62	M 8	28	22,0	35	13	-30	80	43,0	24750.0420
62	M 8	38	22,0	35	13	-30	80	46,0	24750.0430
62	M 8	48	22,0	35	13	-30	80	49,0	24750.0440
62	M10	23	22,0	35	13	-30	80	51,0	24750.0450
62	M10	28	22,0	35	13	-30	80	54,0	24750.0460
62	M10	38	22,0	35	13	-30	80	59,0	24750.0470
62	M10	48	22,0	35	13	-30	80	64,0	24750.0480
62	M10	58	22,0	35	13	-30	80	69,0	24750.0490
白色									
30	M 4	10	14,0	19	7	-30	80	6,1	24750.0101
30	M 4	14	14,0	19	7	-30	80	6,6	24750.0111
30	M 4	18	14,0	19	7	-30	80	6,9	24750.0121
30	M 4	23	14,0	19	7	-30	80	7,3	24750.0131
30	M 4	28	14,0	19	7	-30	80	7,7	24750.0141
30	M 5	10	14,0	19	7	-30	80	7,5	24750.0151
30	M 5	14	14,0	19	7	-30	80	7,9	24750.0161
30	M 5	18	14,0	19	7	-30	80	8,4	24750.0171
30	M 5	23	14,0	19	7	-30	80	9,0	24750.0181
30	M 5	28	14,0	19	7	-30	80	9,0	24750.0191
40	M 5	10	16,5	22	9	-30	80	9,6	24750.0201
40	M 5	14	16,5	22	9	-30	80	10,0	24750.0211
40	M 5	18	16,5	22	9	-30	80	11,0	24750.0221
40	M 5	23	16,5	22	9	-30	80	12,0	24750.0231
40	M 5	28	16,5	22	9	-30	80	12,0	24750.0241
40	M 6	14	16,5	22	9	-30	80	12,0	24750.0251
40	M 6	18	16,5	22	9	-30	80	13,0	24750.0261
40	M 6	23	16,5	22	9	-30	80	14,0	24750.0271
40	M 6	28	16,5	22	9	-30	80	15,0	24750.0281
40	M 6	38	16,5	22	9	-30	80	16,0	24750.0291
50	M 6	14	22,0	26	10	-30	80	19,0	24750.0301
50	M 6	18	22,0	26	10	-30	80	19,0	24750.0311
50	M 6	23	22,0	26	10	-30	80	20,0	24750.0321
50	M 6	28	22,0	26	10	-30	80	21,0	24750.0331
50	M 6	38	22,0	26	10	-30	80	23,0	24750.0341
50	M 8	18	22,0	26	10	-30	80	26,0	24750.0351
50	M 8	23	22,0	26	10	-30	80	27,0	24750.0361
50	M 8	28	22,0	26	10	-30	80	29,0	24750.0371
50	M 8	38	22,0	26	10	-30	80	32,0	24750.0381
50	M 8	48	22,0	26	10	-30	80	35,0	24750.0391
62	M 8	18	22,0	35	13	-30	80	40,0	24750.0401
62	M 8	23	22,0	35	13	-30	80	41,0	24750.0411
62	M 8	28	22,0	35	13	-30	80	43,0	24750.0421
62	M 8	38	22,0	35	13	-30	80	46,0	24750.0431
62	M 8	48	22,0	35	13	-30	80	49,0	24750.0441
62	M10	23	22,0	35	13	-30	80	51,0	24750.0451
62	M10	28	22,0	35	13	-30	80	54,0	24750.0461
62	M10	38	22,0	35	13	-30	80	59,0	24750.0471
62	M10	48	22,0	35	13	-30	80	64,0	24750.0481
62	M10	58	22,0	35	13	-30	80	69,0	24750.0491
橘色									
30	M 4	10	14,0	19	7	-30	80	6,1	24750.0102
30	M 4	14	14,0	19	7	-30	80	6,6	24750.0112
30	M 4	18	14,0	19	7	-30	80	6,9	24750.0122

d <sub>1</sub>	d <sub>2</sub>	尺寸				l <sub>1</sub>	l <sub>2</sub>	温度		重量 [g]	品号
		l	d <sub>3</sub> [mm]	min	max.						
30	M 4	23	14,0	19	7	-30	80	7,3	24750.0132		
30	M 4	28	14,0	19	7	-30	80	7,7	24750.0142		
30	M 5	10	14,0	19	7	-30	80	7,5	24750.0152		
30	M 5	14	14,0	19	7	-30	80	7,9	24750.0162		
30	M 5	18	14,0	19	7	-30	80	8,4	24750.0172		
30	M 5	23	14,0	19	7	-30	80	9,0	24750.0182		
30	M 5	28	14,0	19	7	-30	80	9,0	24750.0192		
40	M 5	10	16,5	22	9	-30	80	9,6	24750.0202		
40	M 5	14	16,5	22	9	-30	80	10,0	24750.0212		
40	M 5	18	16,5	22	9	-30	80	11,0	24750.0222		
40	M 5	23	16,5	22	9	-30	80	12,0	24750.0232		
40	M 5	28	16,5	22	9	-30	80	12,0	24750.0242		
40	M 6	14	16,5	22	9	-30	80	12,0	24750.0252		
40	M 6	18	16,5	22	9	-30	80	13,0	24750.0262		
40	M 6	23	16,5	22	9	-30	80	14,0	24750.0272		
40	M 6	28	16,5	22	9	-30	80	15,0	24750.0282		
40	M 6	38	16,5	22	9	-30	80	16,0	24750.0292		
50	M 6	14	22,0	26	10	-30	80	19,0	24750.0302		
50	M 6	18	22,0	26	10	-30	80	19,0	24750.0312		
50	M 6	23	22,0	26	10	-30	80	20,0	24750.0322		
50	M 6	28	22,0	26	10	-30	80	21,0	24750.0332		
50	M 6	38	22,0	26	10	-30	80	23,0	24750.0342		
50	M 8	18	22,0	26	10	-30	80	26,0	24750.0352		
50	M 8	23	22,0	26	10	-30	80	27,0	24750.0362		
50	M 8	28	22,0	26	10	-30	80	29,0	24750.0372		
50	M 8	38	22,0	26	10	-30	80	32,0	24750.0382		
50	M 8	48	22,0	26	10	-30	80	35,0	24750.0392		
62	M 8	18	22,0	35	13	-30	80	40,0	24750.0402		
62	M 8	23	22,0	35	13	-30	80	41,0	24750.0412		
62	M 8	28	22,0	35	13	-30	80	43,0	24750.0422		
62	M 8	38	22,0	35	13	-30	80	46,0	24750.0432		
62	M 8	48	22,0	35	13	-30	80	49,0	24750.0442		
62	M10	23	22,0	35	13	-30	80	51,0	24750.0452		
62	M10	28	22,0	35	13	-30	80	54,0	24750.0462		
62	M10	38	22,0	35	13	-30	80	59,0	24750.0472		
62	M10	48	22,0	35	13	-30	80	64,0	24750.0482		
62	M10	58	22,0	35	13	-30	80	69,0	24750.0492		
黄色											
30	M 4	10	14,0	19	7	-30	80	6,1	24750.0103		
30	M 4	14	14,0	19	7	-30	80	6,6	24750.0113		
30	M 4	18	14,0	19	7	-30	80	6,9	24750.0123		
30	M 4	23	14,0	19	7	-30	80	7,3	24750.0133		
30	M 4	28	14,0	19	7	-30	80	7,7	24750.0143		
30	M 5	10	14,0	19	7	-30	80	7,5	24750.0153		
30	M 5	14	14,0	19	7	-30	80	7,9	24750.0163		
30	M 5	18	14,0	19	7	-30	80	8,4	24750.0173		
30	M 5	23	14,0	19	7	-30	80	9,0	24750.0183		
30	M 5	28	14,0	19	7	-30	80	9,0	24750.0193		
40	M 5	10	16,5	22	9	-30	80	9,6	24750.0203		
40	M 5	14	16,5	22	9	-30	80	10,0	24750.0213		
40	M 5	18	16,5	22	9	-30	80	11,0	24750.0223		
40	M 5	23	16,5	22	9	-30	80	12,0	24750.0233		
40	M 5	28	16,5	22	9	-30	80	12,0	24750.0243		
40	M 6	14	16,5	22	9	-30	80	12,0	24750.0253		
40	M 6	18	16,5	22	9	-30	80	13,0	24750.0263		
40	M 6	23	16,5	22	9	-30	80	14,0	24750.0273		
40	M 6	28	16,5	22	9	-30	80	15,0	24750.0283		
40	M 6	38	16,5	22	9	-30	80	16,0	24750.0293		
50	M 6	14	22,0	26	10	-30	80	19,0	24750.0303		
50	M 6	18	22,0	26	10	-30	80	19,0	24750.0313		
50	M 6	23	22,0	26	10	-30	80	20,0	24750.0323		
50	M 6	28	22,0	26	10	-30	80	21,0	24750.0333		

尺寸						温度		重量 [g]	品号
d <sub>1</sub>	d <sub>2</sub>	l [mm]	d <sub>3</sub>	l <sub>1</sub>	l <sub>2</sub>	min	max.		
50	M 6	38	22,0	26	10	-30	80	23,0	24750.0343
50	M 8	18	22,0	26	10	-30	80	26,0	24750.0353
50	M 8	23	22,0	26	10	-30	80	27,0	24750.0363
50	M 8	28	22,0	26	10	-30	80	29,0	24750.0373
50	M 8	38	22,0	26	10	-30	80	32,0	24750.0383
50	M 8	48	22,0	26	10	-30	80	35,0	24750.0393
62	M 8	18	22,0	35	13	-30	80	40,0	24750.0403
62	M 8	23	22,0	35	13	-30	80	41,0	24750.0413
62	M 8	28	22,0	35	13	-30	80	43,0	24750.0423
62	M 8	38	22,0	35	13	-30	80	46,0	24750.0433
62	M 8	48	22,0	35	13	-30	80	49,0	24750.0443
62	M10	23	22,0	35	13	-30	80	51,0	24750.0453
62	M10	28	22,0	35	13	-30	80	54,0	24750.0463
62	M10	38	22,0	35	13	-30	80	59,0	24750.0473
62	M10	48	22,0	35	13	-30	80	64,0	24750.0483
62	M10	58	22,0	35	13	-30	80	69,0	24750.0493
蓝色									
30	M 4	10	14,0	19	7	-30	80	6,1	24750.0104
30	M 4	14	14,0	19	7	-30	80	6,6	24750.0114
30	M 4	18	14,0	19	7	-30	80	6,9	24750.0124
30	M 4	23	14,0	19	7	-30	80	7,3	24750.0134
30	M 4	28	14,0	19	7	-30	80	7,7	24750.0144
30	M 5	10	14,0	19	7	-30	80	7,5	24750.0154
30	M 5	14	14,0	19	7	-30	80	7,9	24750.0164
30	M 5	18	14,0	19	7	-30	80	8,4	24750.0174
30	M 5	23	14,0	19	7	-30	80	9,0	24750.0184
30	M 5	28	14,0	19	7	-30	80	9,0	24750.0194
40	M 5	10	16,5	22	9	-30	80	9,6	24750.0204
40	M 5	14	16,5	22	9	-30	80	10,0	24750.0214
40	M 5	18	16,5	22	9	-30	80	11,0	24750.0224
40	M 5	23	16,5	22	9	-30	80	12,0	24750.0234
40	M 5	28	16,5	22	9	-30	80	12,0	24750.0244
40	M 6	14	16,5	22	9	-30	80	12,0	24750.0254
40	M 6	18	16,5	22	9	-30	80	13,0	24750.0264
40	M 6	23	16,5	22	9	-30	80	14,0	24750.0274
40	M 6	28	16,5	22	9	-30	80	15,0	24750.0284
40	M 6	38	16,5	22	9	-30	80	16,0	24750.0294
50	M 6	14	22,0	26	10	-30	80	19,0	24750.0304
50	M 6	18	22,0	26	10	-30	80	19,0	24750.0314
50	M 6	23	22,0	26	10	-30	80	20,0	24750.0324
50	M 6	28	22,0	26	10	-30	80	21,0	24750.0334
50	M 6	38	22,0	26	10	-30	80	23,0	24750.0344
50	M 8	18	22,0	26	10	-30	80	26,0	24750.0354
50	M 8	23	22,0	26	10	-30	80	27,0	24750.0364
50	M 8	28	22,0	26	10	-30	80	29,0	24750.0374
50	M 8	38	22,0	26	10	-30	80	32,0	24750.0384
50	M 8	48	22,0	26	10	-30	80	35,0	24750.0394
62	M 8	18	22,0	35	13	-30	80	40,0	24750.0404
62	M 8	23	22,0	35	13	-30	80	41,0	24750.0414
62	M 8	28	22,0	35	13	-30	80	43,0	24750.0424
62	M 8	38	22,0	35	13	-30	80	46,0	24750.0434
62	M 8	48	22,0	35	13	-30	80	49,0	24750.0444
62	M10	23	22,0	35	13	-30	80	51,0	24750.0454
62	M10	28	22,0	35	13	-30	80	54,0	24750.0464
62	M10	38	22,0	35	13	-30	80	59,0	24750.0474
62	M10	48	22,0	35	13	-30	80	64,0	24750.0484
62	M10	58	22,0	35	13	-30	80	69,0	24750.0494

## 应用范例



## 遵守

### 符合 RoHS

符合指令 2011/65/EU 和指令 2015/863

### 不含 SVHC 物质

不含超过 0.1% w/w 的 SVHC 物质 - 截至 2024 年 6 月 27 日的 SVHC 清单。

### 不含 65 号提案物质

不包括 65 号提案物质

<https://www.P65Warnings.ca.gov/>

### 不含冲突矿物

„本产品不含来自刚果民主共和国或邻近国家的任何被指定为“冲突矿物”的物质，例如钽、锡、金或钨。