

## Three-Lobed Torque Handles

EH 24711.



### 产品描述

Torque handles are used wherever a limitation of the exerted hand force is required. The three-lobed torque handle with integrated torque mechanism allows a defined torque limit during tightening. Reaching the torque results in an "over-locking". For releasing the torque is transmitted indefinitely. These handles combine the functionality of a ratchet wrench with the modern and ergonomic design of a three-lobed handle.

### 材质

#### 盖子

- 塑胶, 亮灰色

#### 扭力机构

- 钢, 硬化

#### 把手

- Thermoplastic PA-HP, glass fibre reinforced, black, matt

#### 内部零件

- 钢, 染黑

#### 螺丝

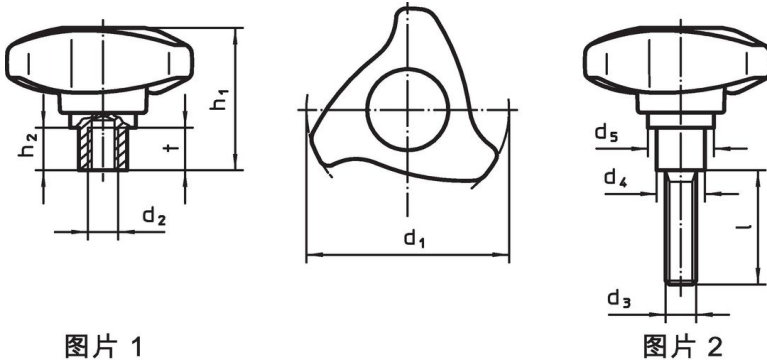
- 钢, 染黑

### 更多信息

#### 更多产品

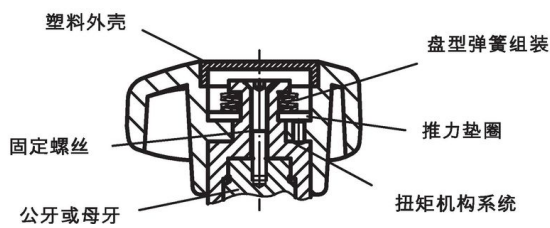
- 扭矩手柄

### 图面




图片 1


图片 2



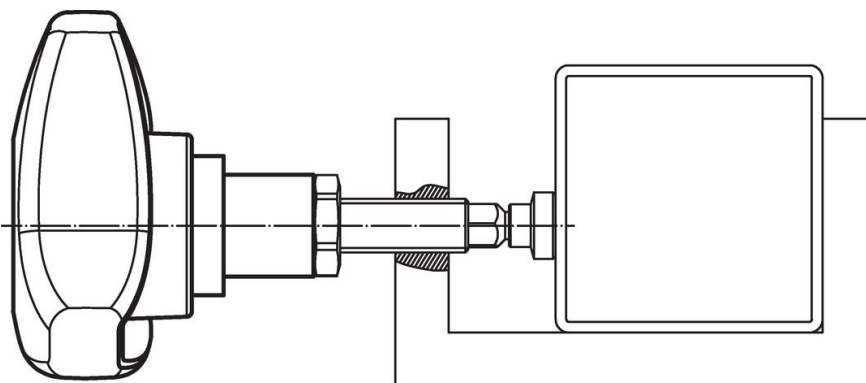
### 订单信息

| d <sub>1</sub> | d <sub>2</sub> | d <sub>3</sub> | l | 尺寸             |                |      | h <sub>1</sub> | h <sub>2</sub> | t   | 起动 扭矩<br>+/- 10%<br>max.<br>[Nm] | [g]        | 品号 |
|----------------|----------------|----------------|---|----------------|----------------|------|----------------|----------------|-----|----------------------------------|------------|----|
|                |                |                |   | d <sub>4</sub> | d <sub>5</sub> | [mm] |                |                |     |                                  |            |    |
| 有母牙 - 相片 1     |                |                |   |                |                |      |                |                |     |                                  |            |    |
| 50             | M 6            | -              | - | 13,5           | 23,6           | 41,6 | 10,7           | 11             | 2,0 | 65                               | 24711.0020 |    |
| 50             | M 6            | -              | - | 13,5           | 23,6           | 41,6 | 10,7           | 11             | 3,0 | 62                               | 24711.0021 |    |
| 50             | M 6            | -              | - | 13,5           | 23,6           | 41,6 | 10,7           | 11             | 4,0 | 63                               | 24711.0022 |    |
| 50             | M 8            | -              | - | 13,5           | 23,6           | 41,6 | 10,7           | 11             | 2,0 | 60                               | 24711.0023 |    |
| 50             | M 8            | -              | - | 13,5           | 23,6           | 41,6 | 10,7           | 11             | 3,0 | 60                               | 24711.0024 |    |
| 50             | M 8            | -              | - | 13,5           | 23,6           | 41,6 | 10,7           | 11             | 4,0 | 64                               | 24711.0025 |    |
| 63             | M 8            | -              | - | 16,0           | 28,1           | 46,6 | 12,9           | 14             | 3,2 | 104                              | 24711.0030 |    |
| 63             | M 8            | -              | - | 16,0           | 28,1           | 46,6 | 12,9           | 14             | 4,0 | 105                              | 24711.0031 |    |

| d <sub>1</sub>    | d <sub>2</sub> | d <sub>3</sub> | l  | 尺寸             |                |                |                |      | t   | 起动力<br>+/- 10%<br>max.<br>[Nm] |  [g] | 品号 |
|-------------------|----------------|----------------|----|----------------|----------------|----------------|----------------|------|-----|--------------------------------|---|----|
|                   |                |                |    | d <sub>4</sub> | d <sub>5</sub> | h <sub>1</sub> | h <sub>2</sub> | [mm] |     |                                |   |    |
| 63                | M 8            | -              | -  | 16,0           | 28,1           | 46,6           | 12,9           | 14   | 4,7 | 107                            | 24711.0032  |    |
| 63                | M10            | -              | -  | 16,0           | 28,1           | 46,6           | 12,9           | 14   | 3,2 | 103                            | 24711.0033  |    |
| 63                | M10            | -              | -  | 16,0           | 28,1           | 46,6           | 12,9           | 14   | 4,0 | 102                            | 24711.0034  |    |
| 63                | M10            | -              | -  | 16,0           | 28,1           | 46,6           | 12,9           | 14   | 4,7 | 105                            | 24711.0035  |    |
| 80                | M10            | -              | -  | 19,0           | 34,1           | 56,2           | 16,8           | 17   | 4,0 | 172                            | 24711.0040  |    |
| 80                | M10            | -              | -  | 19,0           | 34,1           | 56,2           | 16,8           | 17   | 5,5 | 173                            | 24711.0041  |    |
| 80                | M10            | -              | -  | 19,0           | 34,1           | 56,2           | 16,8           | 17   | 7,5 | 174                            | 24711.0042  |    |
| 80                | M12            | -              | -  | 19,0           | 34,1           | 56,2           | 16,8           | 17   | 4,0 | 180                            | 24711.0043  |    |
| 80                | M12            | -              | -  | 19,0           | 34,1           | 56,2           | 16,8           | 17   | 5,5 | 168                            | 24711.0044  |    |
| 80                | M12            | -              | -  | 19,0           | 34,1           | 56,2           | 16,8           | 17   | 7,5 | 171                            | 24711.0045  |    |
| <b>有螺丝 - 相片 2</b> |                |                |    |                |                |                |                |      |     |                                |   |    |
| 50                | -              | M 8            | 16 | 13,5           | 23,6           | 41,6           | 10,7           | -    | 2,0 | 72                             | 24711.0300  |    |
| 50                | -              | M 8            | 16 | 13,5           | 23,6           | 41,6           | 10,7           | -    | 3,0 | 75                             | 24711.0301  |    |
| 50                | -              | M 8            | 16 | 13,5           | 23,6           | 41,6           | 10,7           | -    | 4,0 | 76                             | 24711.0302  |    |
| 50                | -              | M 8            | 20 | 13,5           | 23,6           | 41,6           | 10,7           | -    | 2,0 | 70                             | 24711.0303  |    |
| 50                | -              | M 8            | 20 | 13,5           | 23,6           | 41,6           | 10,7           | -    | 3,0 | 73                             | 24711.0304  |    |
| 50                | -              | M 8            | 20 | 13,5           | 23,6           | 41,6           | 10,7           | -    | 4,0 | 71                             | 24711.0305  |    |
| 50                | -              | M 8            | 25 | 13,5           | 23,6           | 41,6           | 10,7           | -    | 2,0 | 72                             | 24711.0306  |    |
| 50                | -              | M 8            | 25 | 13,5           | 23,6           | 41,6           | 10,7           | -    | 3,0 | 72                             | 24711.0307  |    |
| 50                | -              | M 8            | 25 | 13,5           | 23,6           | 41,6           | 10,7           | -    | 4,0 | 73                             | 24711.0308  |    |
| 50                | -              | M 8            | 32 | 13,5           | 23,6           | 41,6           | 10,7           | -    | 2,0 | 77                             | 24711.0309  |    |
| 50                | -              | M 8            | 32 | 13,5           | 23,6           | 41,6           | 10,7           | -    | 3,0 | 74                             | 24711.0310  |    |
| 50                | -              | M 8            | 32 | 13,5           | 23,6           | 41,6           | 10,7           | -    | 4,0 | 75                             | 24711.0311  |    |
| 50                | -              | M 8            | 40 | 13,5           | 23,6           | 41,6           | 10,7           | -    | 2,0 | 76                             | 24711.0312  |    |
| 50                | -              | M 8            | 40 | 13,5           | 23,6           | 41,6           | 10,7           | -    | 3,0 | 76                             | 24711.0313  |    |
| 50                | -              | M 8            | 40 | 13,5           | 23,6           | 41,6           | 10,7           | -    | 4,0 | 77                             | 24711.0314  |    |
| 50                | -              | M10            | 20 | 13,5           | 23,6           | 41,6           | 10,7           | -    | 2,0 | 73                             | 24711.0315  |    |
| 50                | -              | M10            | 20 | 13,5           | 23,6           | 41,6           | 10,7           | -    | 3,0 | 73                             | 24711.0316  |    |
| 50                | -              | M10            | 20 | 13,5           | 23,6           | 41,6           | 10,7           | -    | 4,0 | 74                             | 24711.0317  |    |
| 50                | -              | M10            | 25 | 13,5           | 23,6           | 41,6           | 10,7           | -    | 2,0 | 76                             | 24711.0318  |    |
| 50                | -              | M10            | 25 | 13,5           | 23,6           | 41,6           | 10,7           | -    | 3,0 | 76                             | 24711.0319  |    |
| 50                | -              | M10            | 25 | 13,5           | 23,6           | 41,6           | 10,7           | -    | 4,0 | 77                             | 24711.0320  |    |
| 50                | -              | M10            | 32 | 13,5           | 23,6           | 41,6           | 10,7           | -    | 2,0 | 80                             | 24711.0321  |    |
| 50                | -              | M10            | 32 | 13,5           | 23,6           | 41,6           | 10,7           | -    | 3,0 | 80                             | 24711.0322  |    |
| 50                | -              | M10            | 32 | 13,5           | 23,6           | 41,6           | 10,7           | -    | 4,0 | 81                             | 24711.0323  |    |
| 50                | -              | M10            | 40 | 13,5           | 23,6           | 41,6           | 10,7           | -    | 2,0 | 87                             | 24711.0324  |    |
| 50                | -              | M10            | 40 | 13,5           | 23,6           | 41,6           | 10,7           | -    | 3,0 | 82                             | 24711.0325  |    |
| 50                | -              | M10            | 40 | 13,5           | 23,6           | 41,6           | 10,7           | -    | 4,0 | 83                             | 24711.0326  |    |
| 50                | -              | M10            | 50 | 13,5           | 23,6           | 41,6           | 10,7           | -    | 2,0 | 87                             | 24711.0327  |    |
| 50                | -              | M10            | 50 | 13,5           | 23,6           | 41,6           | 10,7           | -    | 3,0 | 87                             | 24711.0328  |    |
| 50                | -              | M10            | 50 | 13,5           | 23,6           | 41,6           | 10,7           | -    | 4,0 | 88                             | 24711.0329  |    |
| 63                | -              | M 8            | 25 | 16,0           | 28,1           | 46,6           | 12,9           | -    | 3,2 | 116                            | 24711.0400  |    |
| 63                | -              | M 8            | 25 | 16,0           | 28,1           | 46,6           | 12,9           | -    | 4,0 | 117                            | 24711.0401  |    |
| 63                | -              | M 8            | 25 | 16,0           | 28,1           | 46,6           | 12,9           | -    | 4,7 | 118                            | 24711.0402  |    |
| 63                | -              | M 8            | 32 | 16,0           | 28,1           | 46,6           | 12,9           | -    | 3,2 | 119                            | 24711.0403  |    |
| 63                | -              | M 8            | 32 | 16,0           | 28,1           | 46,6           | 12,9           | -    | 4,0 | 120                            | 24711.0404  |    |
| 63                | -              | M 8            | 32 | 16,0           | 28,1           | 46,6           | 12,9           | -    | 4,7 | 121                            | 24711.0405  |    |
| 63                | -              | M 8            | 40 | 16,0           | 28,1           | 46,6           | 12,9           | -    | 3,2 | 82                             | 24711.0406  |    |
| 63                | -              | M 8            | 40 | 16,0           | 28,1           | 46,6           | 12,9           | -    | 4,0 | 83                             | 24711.0407  |    |
| 63                | -              | M 8            | 40 | 16,0           | 28,1           | 46,6           | 12,9           | -    | 4,7 | 83                             | 24711.0408  |    |
| 63                | -              | M 8            | 50 | 16,0           | 28,1           | 46,6           | 12,9           | -    | 3,2 | 128                            | 24711.0409  |    |
| 63                | -              | M 8            | 50 | 16,0           | 28,1           | 46,6           | 12,9           | -    | 4,0 | 127                            | 24711.0410  |    |
| 63                | -              | M 8            | 50 | 16,0           | 28,1           | 46,6           | 12,9           | -    | 4,7 | 128                            | 24711.0411  |    |
| 63                | -              | M 8            | 63 | 16,0           | 28,1           | 46,6           | 12,9           | -    | 3,2 | 130                            | 24711.0412  |    |
| 63                | -              | M 8            | 63 | 16,0           | 28,1           | 46,6           | 12,9           | -    | 4,0 | 131                            | 24711.0413  |    |
| 63                | -              | M 8            | 63 | 16,0           | 28,1           | 46,6           | 12,9           | -    | 4,7 | 132                            | 24711.0414  |    |
| 63                | -              | M10            | 25 | 16,0           | 28,1           | 46,6           | 12,9           | -    | 3,2 | 122                            | 24711.0415  |    |
| 63                | -              | M10            | 25 | 16,0           | 28,1           | 46,6           | 12,9           | -    | 4,0 | 123                            | 24711.0416  |    |
| 63                | -              | M10            | 25 | 16,0           | 28,1           | 46,6           | 12,9           | -    | 4,7 | 124                            | 24711.0417  |    |
| 63                | -              | M10            | 32 | 16,0           | 28,1           | 46,6           | 12,9           | -    | 3,2 | 125                            | 24711.0418  |    |
| 63                | -              | M10            | 32 | 16,0           | 28,1           | 46,6           | 12,9           | -    | 4,0 | 126                            | 24711.0419  |    |

| d <sub>1</sub> | d <sub>2</sub> | d <sub>3</sub> | l  | 尺寸             |                |                |                | t | 起动 扭矩<br>+/- 10%<br>max.<br>[Nm] |  | 品号         |
|----------------|----------------|----------------|----|----------------|----------------|----------------|----------------|---|----------------------------------|---|------------|
|                |                |                |    | d <sub>4</sub> | d <sub>5</sub> | h <sub>1</sub> | h <sub>2</sub> |   |                                  |   |            |
| [mm]           |                |                |    |                |                |                |                |   |                                  |   |            |
| 63             | -              | M10            | 32 | 16,0           | 28,1           | 46,6           | 12,9           | - | 4,7                              | 127   | 24711.0420 |
| 63             | -              | M10            | 40 | 16,0           | 28,1           | 46,6           | 12,9           | - | 3,2                              | 129   | 24711.0421 |
| 63             | -              | M10            | 40 | 16,0           | 28,1           | 46,6           | 12,9           | - | 4,0                              | 130   | 24711.0422 |
| 63             | -              | M10            | 40 | 16,0           | 28,1           | 46,6           | 12,9           | - | 4,7                              | 131   | 24711.0423 |
| 63             | -              | M10            | 50 | 16,0           | 28,1           | 46,6           | 12,9           | - | 3,2                              | 134   | 24711.0424 |
| 63             | -              | M10            | 50 | 16,0           | 28,1           | 46,6           | 12,9           | - | 4,0                              | 135   | 24711.0425 |
| 63             | -              | M10            | 50 | 16,0           | 28,1           | 46,6           | 12,9           | - | 4,7                              | 136   | 24711.0426 |
| 63             | -              | M10            | 63 | 16,0           | 28,1           | 46,6           | 12,9           | - | 3,2                              | 140   | 24711.0427 |
| 63             | -              | M10            | 63 | 16,0           | 28,1           | 46,6           | 12,9           | - | 4,0                              | 141   | 24711.0428 |
| 63             | -              | M10            | 63 | 16,0           | 28,1           | 46,6           | 12,9           | - | 4,7                              | 142   | 24711.0429 |
| 80             | -              | M10            | 25 | 19,0           | 34,1           | 56,2           | 16,8           | - | 4,0                              | 194   | 24711.0500 |
| 80             | -              | M10            | 25 | 19,0           | 34,1           | 56,2           | 16,8           | - | 5,5                              | 195   | 24711.0501 |
| 80             | -              | M10            | 25 | 19,0           | 34,1           | 56,2           | 16,8           | - | 7,5                              | 196   | 24711.0502 |
| 80             | -              | M10            | 32 | 19,0           | 34,1           | 56,2           | 16,8           | - | 4,0                              | 198   | 24711.0503 |
| 80             | -              | M10            | 32 | 19,0           | 34,1           | 56,2           | 16,8           | - | 5,5                              | 199   | 24711.0504 |
| 80             | -              | M10            | 32 | 19,0           | 34,1           | 56,2           | 16,8           | - | 7,5                              | 200   | 24711.0505 |
| 80             | -              | M10            | 40 | 19,0           | 34,1           | 56,2           | 16,8           | - | 4,0                              | 202   | 24711.0506 |
| 80             | -              | M10            | 40 | 19,0           | 34,1           | 56,2           | 16,8           | - | 5,5                              | 203   | 24711.0507 |
| 80             | -              | M10            | 40 | 19,0           | 34,1           | 56,2           | 16,8           | - | 7,5                              | 204   | 24711.0508 |
| 80             | -              | M10            | 50 | 19,0           | 34,1           | 56,2           | 16,8           | - | 4,0                              | 208   | 24711.0509 |
| 80             | -              | M10            | 50 | 19,0           | 34,1           | 56,2           | 16,8           | - | 5,5                              | 209   | 24711.0510 |
| 80             | -              | M10            | 50 | 19,0           | 34,1           | 56,2           | 16,8           | - | 7,5                              | 210   | 24711.0511 |
| 80             | -              | M10            | 63 | 19,0           | 34,1           | 56,2           | 16,8           | - | 4,0                              | 213   | 24711.0512 |
| 80             | -              | M10            | 63 | 19,0           | 34,1           | 56,2           | 16,8           | - | 5,5                              | 223   | 24711.0513 |
| 80             | -              | M10            | 63 | 19,0           | 34,1           | 56,2           | 16,8           | - | 7,5                              | 215   | 24711.0514 |
| 80             | -              | M12            | 25 | 19,0           | 34,1           | 56,2           | 16,8           | - | 4,0                              | 206   | 24711.0515 |
| 80             | -              | M12            | 25 | 19,0           | 34,1           | 56,2           | 16,8           | - | 5,5                              | 202   | 24711.0516 |
| 80             | -              | M12            | 25 | 19,0           | 34,1           | 56,2           | 16,8           | - | 7,5                              | 203   | 24711.0517 |
| 80             | -              | M12            | 32 | 19,0           | 34,1           | 56,2           | 16,8           | - | 4,0                              | 205   | 24711.0518 |
| 80             | -              | M12            | 32 | 19,0           | 34,1           | 56,2           | 16,8           | - | 5,5                              | 206   | 24711.0519 |
| 80             | -              | M12            | 32 | 19,0           | 34,1           | 56,2           | 16,8           | - | 7,5                              | 207   | 24711.0520 |
| 80             | -              | M12            | 40 | 19,0           | 34,1           | 56,2           | 16,8           | - | 4,0                              | 210   | 24711.0521 |
| 80             | -              | M12            | 40 | 19,0           | 34,1           | 56,2           | 16,8           | - | 5,5                              | 211   | 24711.0522 |
| 80             | -              | M12            | 40 | 19,0           | 34,1           | 56,2           | 16,8           | - | 7,5                              | 212   | 24711.0523 |
| 80             | -              | M12            | 50 | 19,0           | 34,1           | 56,2           | 16,8           | - | 4,0                              | 218   | 24711.0524 |
| 80             | -              | M12            | 50 | 19,0           | 34,1           | 56,2           | 16,8           | - | 5,5                              | 219   | 24711.0525 |
| 80             | -              | M12            | 50 | 19,0           | 34,1           | 56,2           | 16,8           | - | 7,5                              | 220   | 24711.0526 |
| 80             | -              | M12            | 63 | 19,0           | 34,1           | 56,2           | 16,8           | - | 4,0                              | 227   | 24711.0527 |
| 80             | -              | M12            | 63 | 19,0           | 34,1           | 56,2           | 16,8           | - | 5,5                              | 228   | 24711.0528 |
| 80             | -              | M12            | 63 | 19,0           | 34,1           | 56,2           | 16,8           | - | 7,5                              | 229   | 24711.0529 |

应用范例



## 遵守

### 符合 RoHS

含铅 - 符合例外 6a / 6b / 6c

### 含有 >0.1% w/w 的 SVHC 物质

含铅 - SVHC [REACH] 清单截至 2024 年 6 月 27 日

### 包含 65 号提案的物质



铅暴露会导致癌症和生殖伤害

<https://www.P65Warnings.ca.gov/>

### 不含冲突矿物

„本产品不含来自刚果民主共和国或邻近国家的任何被指定为“冲突矿物”的物质，例如钽、锡、金或钨。