

## 夹持螺帽 · 焊接

EH 24470.



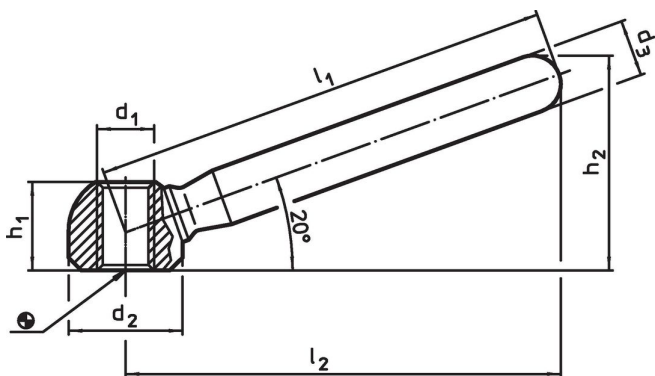
### 产品描述

适用于 DIN 99 之低价型式

### 材质

- 钢，镀锌
- 不锈钢 1.4301，喷砂处理

### 图面



### 订单信息

l <sub>1</sub>	l <sub>2</sub> ~	d <sub>1</sub>	尺寸			h <sub>1</sub>	h <sub>2</sub> ~	[g]	品号
			d <sub>2</sub>	d <sub>3</sub>	[mm]				
<b>钢</b>									
63	60	M 8	16	10		12,5	30,5	39	<a href="#">24470.0506</a>
80	76	M10	20	12		15,0	37,0	83	<a href="#">24470.0508</a>
100	95	M12	25	14		19,0	46,0	149	<a href="#">24470.0510</a>
125	119	M16	32	18		25,0	58,5	313	<a href="#">24470.0512</a>
160	152	M20	40	20		31,0	73,0	533	<a href="#">24470.0516</a>
<b>不锈钢</b>									
63	60	M 8	16	10		12,5	30,5	39	<a href="#">24470.0606</a>
80	76	M10	20	12		15,0	37,0	83	<a href="#">24470.0608</a>
100	95	M12	25	14		19,0	46,0	149	<a href="#">24470.0610</a>
125	119	M16	32	18		25,0	58,5	313	<a href="#">24470.0612</a>
160	152	M20	40	20		31,0	73,0	533	<a href="#">24470.0616</a>

应用范例



遵守

For detailed compliance information please select the desired article number.