

## 调整式把手 · 有螺丝

EH 24400.



### 产品描述

Adjustable clamping levers find versatile applications when the area of use is confined or a specific lever position is required.

### 材质

#### 把手

- 锌压铸，塑料涂装，橙色 (接近色号 RAL 2004)，无光泽
- 锌压铸，表面涂装，银色，类似 RAL 9006，雾面
- 锌合金压铸、塑料涂层、黑色，近似 RAL 9005 亚光结构

#### 内部零件

- 钢、染黑、品质 5.8

#### 螺丝

- 钢、染黑、品质 5.8

### 操作

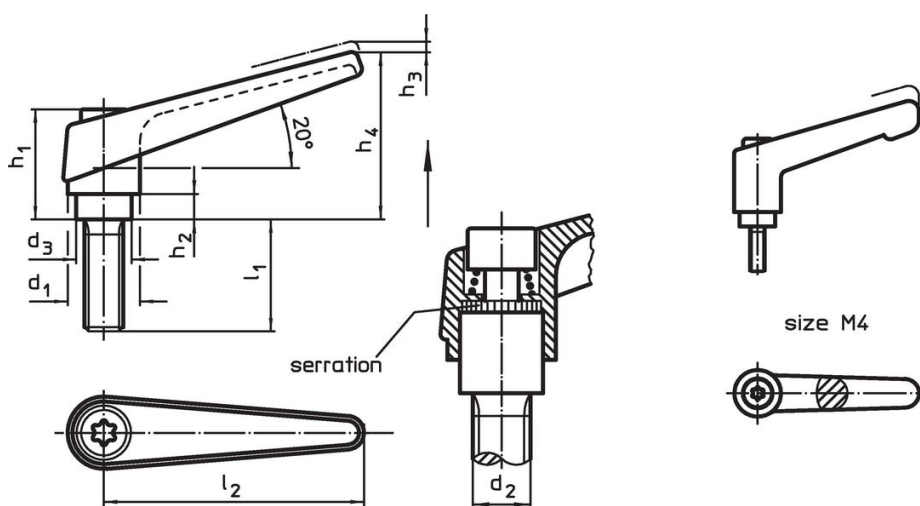
藉由举起控制杆，锯齿脱开。杆可以定位在由锯齿。在松开杆时，细齿将自动重新啮合。

### 更多信息

### 注意事项

螺丝可以替换。

## 图面



## 订单信息

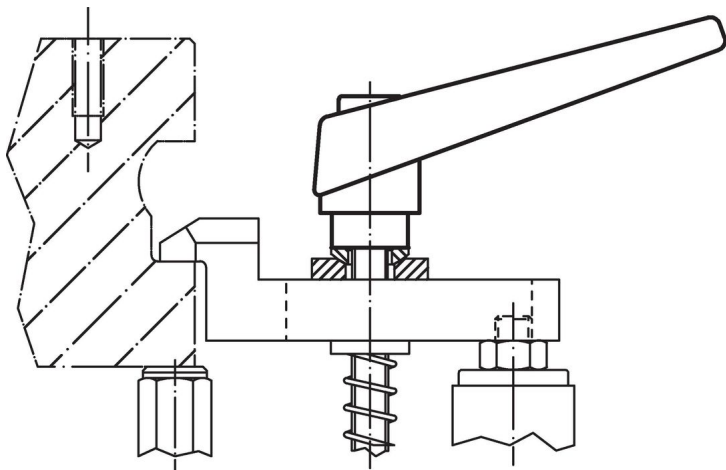
d <sub>1</sub>	d <sub>2</sub>	l <sub>1</sub>	d <sub>3</sub>	尺寸					l <sub>2</sub>	[g]	品号
				h <sub>1</sub>	h <sub>2</sub>	h <sub>3</sub>	h <sub>4</sub>	[mm]			
橘色											
13	M 4	12	10,0	24,5	4,0	3,5	30,5	30	27	24400.0010	
13	M 4	16	10,0	24,5	4,0	3,5	30,5	30	27	24400.0014	
13	M 4	20	10,0	24,5	4,0	3,5	30,5	30	28	24400.0018	
13	M 4	25	10,0	24,5	4,0	3,5	30,5	30	28	24400.0022	
13	M 4	32	10,0	24,5	4,0	3,5	30,5	30	28	24400.0026	
14	M 5	12	10,0	24,5	4,0	3,0	35,0	45	36	24400.0041	
14	M 5	16	10,0	24,5	4,0	3,0	35,0	45	36	24400.0051	
14	M 5	20	10,0	24,5	4,0	3,0	35,0	45	37	24400.0061	
14	M 5	25	10,0	24,5	4,0	3,0	35,0	45	38	24400.0071	
14	M 5	32	10,0	24,5	4,0	3,0	35,0	45	38	24400.0081	
14	M 5	40	10,0	24,5	4,0	3,0	35,0	45	39	24400.0086	
14	M 6	12	10,0	24,5	4,0	3,0	35,0	45	37	24400.0131	
14	M 6	16	10,0	24,5	4,0	3,0	35,0	45	37	24400.0141	
14	M 6	20	10,0	24,5	4,0	3,0	35,0	45	39	24400.0151	
14	M 6	25	10,0	24,5	4,0	3,0	35,0	45	41	24400.0161	
14	M 6	32	10,0	24,5	4,0	3,0	35,0	45	40	24400.0171	
14	M 6	40	10,0	24,5	4,0	3,0	35,0	45	41	24400.0181	
14	M 6	50	10,0	24,5	4,0	3,0	35,0	45	43	24400.0191	

d <sub>1</sub>	d <sub>2</sub>	l <sub>1</sub>	尺寸					l <sub>2</sub>	[g]	品号
			d <sub>3</sub>	h <sub>1</sub> [mm]	h <sub>2</sub>	h <sub>3</sub>	h <sub>4</sub>			
18	M 6	16	13,5	31,0	6,5	3,0	45,0	62	72	24400.0221
18	M 6	20	13,5	31,0	6,5	3,0	45,0	62	72	24400.0231
18	M 6	25	13,5	31,0	6,5	3,0	45,0	62	74	24400.0241
18	M 6	32	13,5	31,0	6,5	3,0	45,0	62	74	24400.0251
18	M 6	40	13,5	31,0	6,5	3,0	45,0	62	76	24400.0261
18	M 6	50	13,5	31,0	6,5	3,0	45,0	62	76	24400.0271
18	M 6	63	13,5	31,0	6,5	3,0	45,0	62	80	24400.0281
18	M 8	16	13,5	31,0	6,5	3,0	45,0	62	74	24400.0331
18	M 8	20	13,5	31,0	6,5	3,0	45,0	62	76	24400.0341
18	M 8	25	13,5	31,0	6,5	3,0	45,0	62	86	24400.0351
18	M 8	32	13,5	31,0	6,5	3,0	45,0	62	86	24400.0361
18	M 8	40	13,5	31,0	6,5	3,0	45,0	62	88	24400.0371
18	M 8	50	13,5	31,0	6,5	3,0	45,0	62	89	24400.0381
18	M 8	63	13,5	31,0	6,5	3,0	45,0	62	96	24400.0391
22	M10	20	16,0	36,0	8,0	3,5	52,0	74	128	24400.0441
22	M10	25	16,0	36,0	8,0	3,5	52,0	74	130	24400.0451
22	M10	32	16,0	36,0	8,0	3,5	52,0	74	134	24400.0461
22	M10	40	16,0	36,0	8,0	3,5	52,0	74	138	24400.0471
22	M10	50	16,0	36,0	8,0	3,5	52,0	74	143	24400.0481
22	M10	63	16,0	36,0	8,0	3,5	52,0	74	152	24400.0486
22	M10	80	16,0	36,0	8,0	3,5	52,0	74	166	24400.0491
25	M12	25	19,0	43,0	11,0	4,0	63,0	89	205	24400.0541
25	M12	32	19,0	43,0	11,0	4,0	63,0	89	209	24400.0551
25	M12	40	19,0	43,0	11,0	4,0	63,0	89	215	24400.0561
25	M12	50	19,0	43,0	11,0	4,0	63,0	89	222	24400.0571
25	M12	63	19,0	43,0	11,0	4,0	63,0	89	232	24400.0581
25	M12	80	19,0	43,0	11,0	4,0	63,0	89	244	24400.0591
30	M16	32	23,0	50,5	12,0	5,0	76,0	108	348	24400.0641
30	M16	40	23,0	50,5	12,0	5,0	76,0	108	357	24400.0651
30	M16	50	23,0	50,5	12,0	5,0	76,0	108	370	24400.0661
30	M16	63	23,0	50,5	12,0	5,0	76,0	108	386	24400.0671
30	M16	80	23,0	50,5	12,0	5,0	76,0	108	407	24400.0681
银										
14	M 5	12	10,0	24,5	4,0	3,0	35,0	45	36	24400.0043
14	M 5	16	10,0	24,5	4,0	3,0	35,0	45	36	24400.0053
14	M 5	20	10,0	24,5	4,0	3,0	35,0	45	37	24400.0063
14	M 5	25	10,0	24,5	4,0	3,0	35,0	45	38	24400.0073
14	M 5	32	10,0	24,5	4,0	3,0	35,0	45	38	24400.0083
14	M 5	40	10,0	24,5	4,0	3,0	35,0	45	39	24400.0088
14	M 6	12	10,0	24,5	4,0	3,0	35,0	45	37	24400.0133
14	M 6	16	10,0	24,5	4,0	3,0	35,0	45	37	24400.0143
14	M 6	20	10,0	24,5	4,0	3,0	35,0	45	39	24400.0153
14	M 6	25	10,0	24,5	4,0	3,0	35,0	45	41	24400.0163
14	M 6	32	10,0	24,5	4,0	3,0	35,0	45	40	24400.0173
14	M 6	40	10,0	24,5	4,0	3,0	35,0	45	41	24400.0183
14	M 6	50	10,0	24,5	4,0	3,0	35,0	45	43	24400.0193
18	M 6	16	13,5	31,0	6,5	3,0	45,0	62	72	24400.0223
18	M 6	20	13,5	31,0	6,5	3,0	45,0	62	72	24400.0233
18	M 6	25	13,5	31,0	6,5	3,0	45,0	62	74	24400.0243
18	M 6	32	13,5	31,0	6,5	3,0	45,0	62	74	24400.0253
18	M 6	40	13,5	31,0	6,5	3,0	45,0	62	76	24400.0263
18	M 6	50	13,5	31,0	6,5	3,0	45,0	62	76	24400.0273
18	M 6	63	13,5	31,0	6,5	3,0	45,0	62	80	24400.0283
18	M 8	16	13,5	31,0	6,5	3,0	45,0	62	74	24400.0333
18	M 8	20	13,5	31,0	6,5	3,0	45,0	62	76	24400.0343
18	M 8	25	13,5	31,0	6,5	3,0	45,0	62	86	24400.0353
18	M 8	32	13,5	31,0	6,5	3,0	45,0	62	86	24400.0363
18	M 8	40	13,5	31,0	6,5	3,0	45,0	62	88	24400.0373
18	M 8	50	13,5	31,0	6,5	3,0	45,0	62	89	24400.0383
18	M 8	63	13,5	31,0	6,5	3,0	45,0	62	96	24400.0393
22	M10	20	16,0	36,0	8,0	3,5	52,0	74	128	24400.0443
22	M10	25	16,0	36,0	8,0	3,5	52,0	74	130	24400.0453

d <sub>1</sub>	d <sub>2</sub>	l <sub>1</sub>	d <sub>3</sub>	尺寸					l <sub>2</sub>	[g]	品号
				h <sub>1</sub>	h <sub>2</sub>	h <sub>3</sub>	h <sub>4</sub>	[mm]			
22	M10	32	16,0	36,0	8,0	3,5	52,0	74	134	24400.0463	
22	M10	40	16,0	36,0	8,0	3,5	52,0	74	138	24400.0473	
22	M10	50	16,0	36,0	8,0	3,5	52,0	74	143	24400.0483	
22	M10	63	16,0	36,0	8,0	3,5	52,0	74	152	24400.0488	
22	M10	80	16,0	36,0	8,0	3,5	52,0	74	166	24400.0493	
25	M12	25	19,0	43,0	11,0	4,0	63,0	89	205	24400.0543	
25	M12	32	19,0	43,0	11,0	4,0	63,0	89	209	24400.0553	
25	M12	40	19,0	43,0	11,0	4,0	63,0	89	215	24400.0563	
25	M12	50	19,0	43,0	11,0	4,0	63,0	89	222	24400.0573	
25	M12	63	19,0	43,0	11,0	4,0	63,0	89	232	24400.0583	
25	M12	80	19,0	43,0	11,0	4,0	63,0	89	244	24400.0593	
30	M16	32	23,0	50,5	12,0	5,0	76,0	108	348	24400.0643	
30	M16	40	23,0	50,5	12,0	5,0	76,0	108	357	24400.0653	
30	M16	50	23,0	50,5	12,0	5,0	76,0	108	370	24400.0663	
30	M16	63	23,0	50,5	12,0	5,0	76,0	108	386	24400.0673	
30	M16	80	23,0	50,5	12,0	5,0	76,0	108	407	24400.0683	
黑色											
13	M 4	12	10,0	24,5	4,0	3,5	30,5	30	27	24400.0012	
13	M 4	16	10,0	24,5	4,0	3,5	30,5	30	27	24400.0016	
13	M 4	20	10,0	24,5	4,0	3,5	30,5	30	28	24400.0020	
13	M 4	25	10,0	24,5	4,0	3,5	30,5	30	28	24400.0024	
13	M 4	32	10,0	24,5	4,0	3,5	30,5	30	28	24400.0028	
14	M 5	12	10,0	24,5	4,0	3,0	35,0	45	36	24400.0044	
14	M 5	16	10,0	24,5	4,0	3,0	35,0	45	36	24400.0054	
14	M 5	20	10,0	24,5	4,0	3,0	35,0	45	37	24400.0064	
14	M 5	25	10,0	24,5	4,0	3,0	35,0	45	38	24400.0074	
14	M 5	32	10,0	24,5	4,0	3,0	35,0	45	38	24400.0084	
14	M 5	40	10,0	24,5	4,0	3,0	35,0	45	39	24400.0089	
14	M 6	12	10,0	24,5	4,0	3,0	35,0	45	37	24400.0134	
14	M 6	16	10,0	24,5	4,0	3,0	35,0	45	37	24400.0144	
14	M 6	20	10,0	24,5	4,0	3,0	35,0	45	39	24400.0154	
14	M 6	25	10,0	24,5	4,0	3,0	35,0	45	41	24400.0164	
14	M 6	32	10,0	24,5	4,0	3,0	35,0	45	40	24400.0174	
14	M 6	40	10,0	24,5	4,0	3,0	35,0	45	41	24400.0184	
14	M 6	50	10,0	24,5	4,0	3,0	35,0	45	43	24400.0194	
18	M 6	16	13,5	31,0	6,5	3,0	45,0	62	72	24400.0224	
18	M 6	20	13,5	31,0	6,5	3,0	45,0	62	72	24400.0234	
18	M 6	25	13,5	31,0	6,5	3,0	45,0	62	74	24400.0244	
18	M 6	32	13,5	31,0	6,5	3,0	45,0	62	74	24400.0254	
18	M 6	40	13,5	31,0	6,5	3,0	45,0	62	76	24400.0264	
18	M 6	50	13,5	31,0	6,5	3,0	45,0	62	76	24400.0274	
18	M 6	63	13,5	31,0	6,5	3,0	45,0	62	80	24400.0284	
18	M 8	16	13,5	31,0	6,5	3,0	45,0	62	74	24400.0334	
18	M 8	20	13,5	31,0	6,5	3,0	45,0	62	76	24400.0344	
18	M 8	25	13,5	31,0	6,5	3,0	45,0	62	86	24400.0354	
18	M 8	32	13,5	31,0	6,5	3,0	45,0	62	86	24400.0364	
18	M 8	40	13,5	31,0	6,5	3,0	45,0	62	88	24400.0374	
18	M 8	50	13,5	31,0	6,5	3,0	45,0	62	89	24400.0384	
18	M 8	63	13,5	31,0	6,5	3,0	45,0	62	96	24400.0394	
22	M10	20	16,0	36,0	8,0	3,5	52,0	74	128	24400.0444	
22	M10	25	16,0	36,0	8,0	3,5	52,0	74	130	24400.0454	
22	M10	32	16,0	36,0	8,0	3,5	52,0	74	134	24400.0464	
22	M10	40	16,0	36,0	8,0	3,5	52,0	74	138	24400.0474	
22	M10	50	16,0	36,0	8,0	3,5	52,0	74	143	24400.0484	
22	M10	63	16,0	36,0	8,0	3,5	52,0	74	152	24400.0489	
22	M10	80	16,0	36,0	8,0	3,5	52,0	74	166	24400.0494	
25	M12	25	19,0	43,0	11,0	4,0	63,0	89	205	24400.0544	
25	M12	32	19,0	43,0	11,0	4,0	63,0	89	209	24400.0554	
25	M12	40	19,0	43,0	11,0	4,0	63,0	89	215	24400.0564	
25	M12	50	19,0	43,0	11,0	4,0	63,0	89	222	24400.0574	
25	M12	63	19,0	43,0	11,0	4,0	63,0	89	232	24400.0584	
25	M12	80	19,0	43,0	11,0	4,0	63,0	89	244	24400.0594	

d <sub>1</sub>	d <sub>2</sub>	l <sub>1</sub>	d <sub>3</sub>	尺寸					l <sub>2</sub>	🏠 [g]	品号
				h <sub>1</sub>	h <sub>2</sub>	h <sub>3</sub>	h <sub>4</sub>	[mm]			
30	M16	32	23,0	50,5	12,0	5,0	76,0	108	348	24400.0644	
30	M16	40	23,0	50,5	12,0	5,0	76,0	108	357	24400.0654	
30	M16	50	23,0	50,5	12,0	5,0	76,0	108	370	24400.0664	
30	M16	63	23,0	50,5	12,0	5,0	76,0	108	386	24400.0674	
30	M16	80	23,0	50,5	12,0	5,0	76,0	108	407	24400.0684	

### 应用范例



### 遵守

#### 符合 RoHS

含铅 - 符合例外 6a / 6b / 6c

#### 含有 >0.1% w/w 的 SVHC 物质

含铅 - SVHC [REACH] 清单截至 2024 年 6 月 27 日

#### 包含 65 号提案的物质



铅暴露会导致癌症和生殖伤害

<https://www.P65Warnings.ca.gov/>

#### 不含冲突矿物

„本产品不含来自刚果民主共和国或邻近国家的任何被指定为“冲突矿物”的物质，例如钽、锡、金或钨。