

调整式把手 · 有母牙

EH 24400.



产品描述

Adjustable clamping levers find versatile applications when the area of use is confined or a specific lever position is required.

材质

把手

- 锌压铸，塑料涂装，橙色 (接近色号 RAL 2004)，无光泽
- 锌压铸，表面涂装，银色，类似 RAL 9006，雾面
- 锌合金压铸、塑料涂层、黑色，近似 RAL 9005 亚光结构

螺纹零件

- 钢，涂黑，质量 5

内部零件

- 钢、染黑、品质 5.8

操作

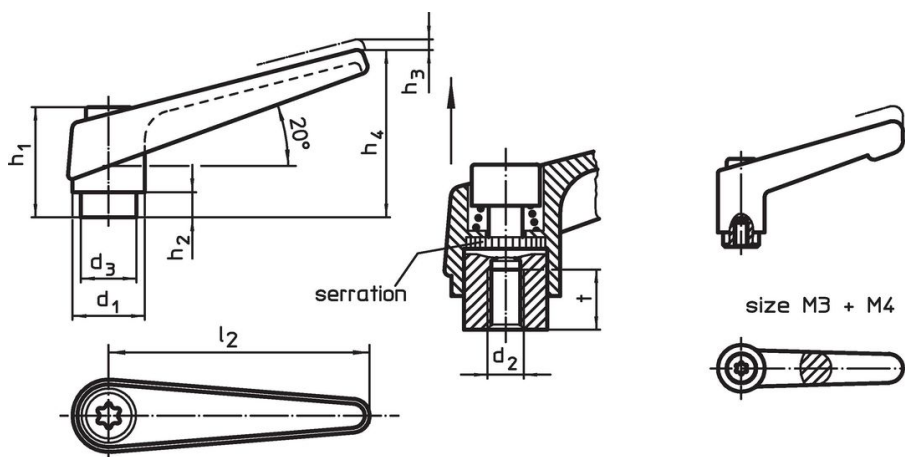
藉由举起控制杆，锯齿脱开。杆可以定位在由锯齿。在松开杆时，细齿将自动重新啮合。

更多信息


注意事项


牙部可以交换。

图面

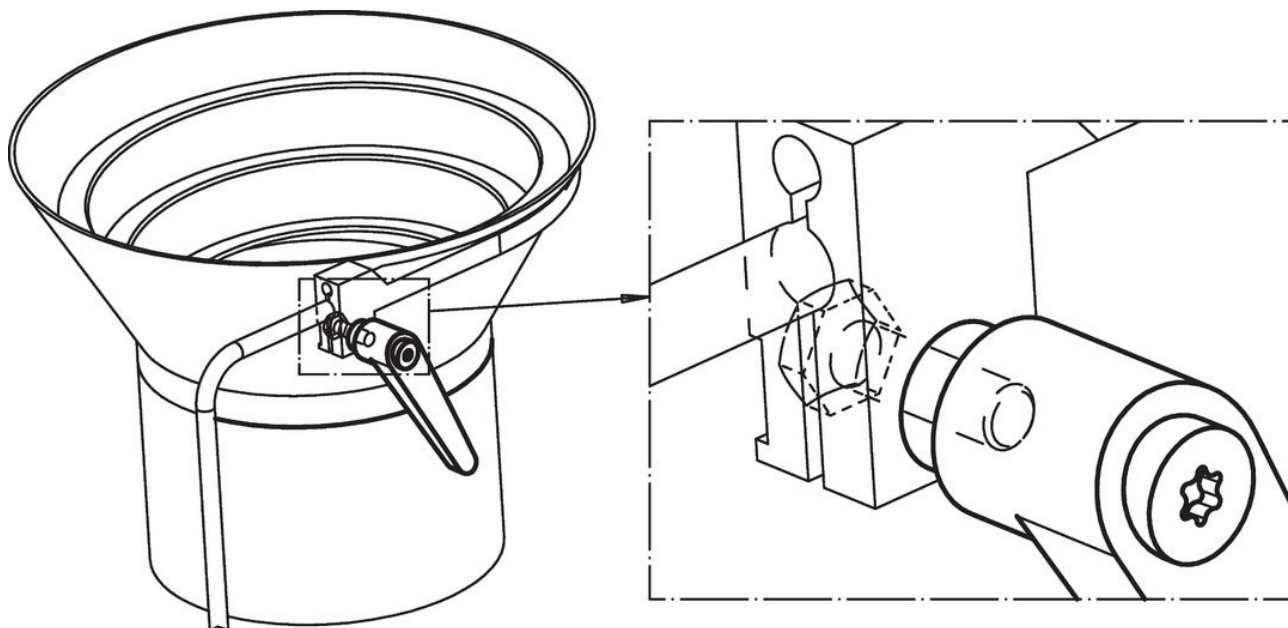


订单信息

d ₁	d ₂	d ₃	h ₁	尺寸 h ₂	h ₃	h ₄	l ₂	t ≥	 [g]	品号
[mm]										
橘色										
13	M 3	10,0	24,5	4,0	3,5	30,5	30	7	26	24400.0032
13	M 4	10,0	24,5	4,0	3,5	30,5	30	9	25	24400.0036
14	M 5	10,0	24,5	4,0	3,0	35,0	45	8	33	24400.0111
14	M 6	10,0	24,5	4,0	3,0	35,0	45	8	33	24400.0121
18	M 6	13,5	31,0	6,5	3,0	45,0	62	10	67	24400.0311
18	M 8	13,5	31,0	6,5	3,0	45,0	62	10	71	24400.0321
22	M 8	16,0	36,0	8,0	3,5	52,0	74	14	112	24400.0411
22	M10	16,0	36,0	8,0	3,5	52,0	74	14	109	24400.0421
25	M10	19,0	43,0	11,0	4,0	63,0	89	17	176	24400.0511
25	M12	19,0	43,0	11,0	4,0	63,0	89	17	171	24400.0521
30	M12	23,0	50,5	12,0	5,0	76,0	108	22	286	24400.0611
30	M16	23,0	50,5	12,0	5,0	76,0	108	22	269	24400.0621
银										
14	M 5	10,0	24,5	4,0	3,0	35,0	45	8	33	24400.0113
14	M 6	10,0	24,5	4,0	3,0	35,0	45	8	33	24400.0123
18	M 6	13,5	31,0	6,5	3,0	45,0	62	10	67	24400.0313
18	M 8	13,5	31,0	6,5	3,0	45,0	62	10	71	24400.0323
22	M 8	16,0	36,0	8,0	3,5	52,0	74	14	112	24400.0413

d ₁	d ₂	d ₃	h ₁	尺寸 h ₂ [mm]	h ₃	h ₄	l ₂	t ≥	 [g]	品号
22	M10	16,0	36,0	8,0	3,5	52,0	74	14	109	24400.0423
25	M10	19,0	43,0	11,0	4,0	63,0	89	17	176	24400.0513
25	M12	19,0	43,0	11,0	4,0	63,0	89	17	171	24400.0523
30	M12	23,0	50,5	12,0	5,0	76,0	108	22	286	24400.0613
30	M16	23,0	50,5	12,0	5,0	76,0	108	22	269	24400.0623
黑色										
13	M 3	10,0	24,5	4,0	3,5	30,5	30	7	26	24400.0034
13	M 4	10,0	24,5	4,0	3,5	30,5	30	9	25	24400.0038
14	M 5	10,0	24,5	4,0	3,0	35,0	45	8	33	24400.0114
14	M 6	10,0	24,5	4,0	3,0	35,0	45	8	33	24400.0124
18	M 6	13,5	31,0	6,5	3,0	45,0	62	10	67	24400.0314
18	M 8	13,5	31,0	6,5	3,0	45,0	62	10	71	24400.0324
22	M 8	16,0	36,0	8,0	3,5	52,0	74	14	112	24400.0414
22	M10	16,0	36,0	8,0	3,5	52,0	74	14	109	24400.0424
25	M10	19,0	43,0	11,0	4,0	63,0	89	17	176	24400.0514
25	M12	19,0	43,0	11,0	4,0	63,0	89	17	171	24400.0524
30	M12	23,0	50,5	12,0	5,0	76,0	108	22	286	24400.0614
30	M16	23,0	50,5	12,0	5,0	76,0	108	22	269	24400.0624

应用范例



遵守

符合 RoHS

含铅 - 符合例外 6a / 6b / 6c

含有 >0.1% w/w 的 SVHC 物质

含铅 - SVHC [REACH] 清单截至 2024 年 6 月 27 日

包含 65 号提案的物质



铅暴露会导致癌症和生殖伤害

<https://www.P65Warnings.ca.gov/>

不含冲突矿物

„本产品不含来自刚果民主共和国或邻近国家的任何被指定为“冲突矿物”的物质，例如钽、锡、金或钨。