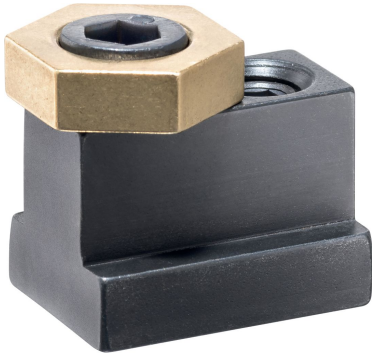


偏心夹持夹具 · with slot tenon
EH 23270.



产品描述

The eccentric clamping clamps can be used for quick and easy workpiece clamping directly on the machine table or a base plate with T-slots.

These eccentric clamping clamps with slot tenon are locked in a T-slot, for example on the machine table, with a thrust screw. Clamping takes place via the clamping screw with eccentric head. The brass basic element ensures gentle and secure clamping.

The eccentric clamping clamps with slot tenon have the following characteristics:

- Brass base element for material-friendly clamping
- Quick clamping thanks to clamping screw with eccentric head
- High clamping force is achieved
- Low design enables the machining of flat workpieces
- The compact dimensions enable space-saving multiple clamping

材质

偏心螺丝

- 钢

螺纹销

- 钢, 染黑

本体

- 黄铜

Slot tenon

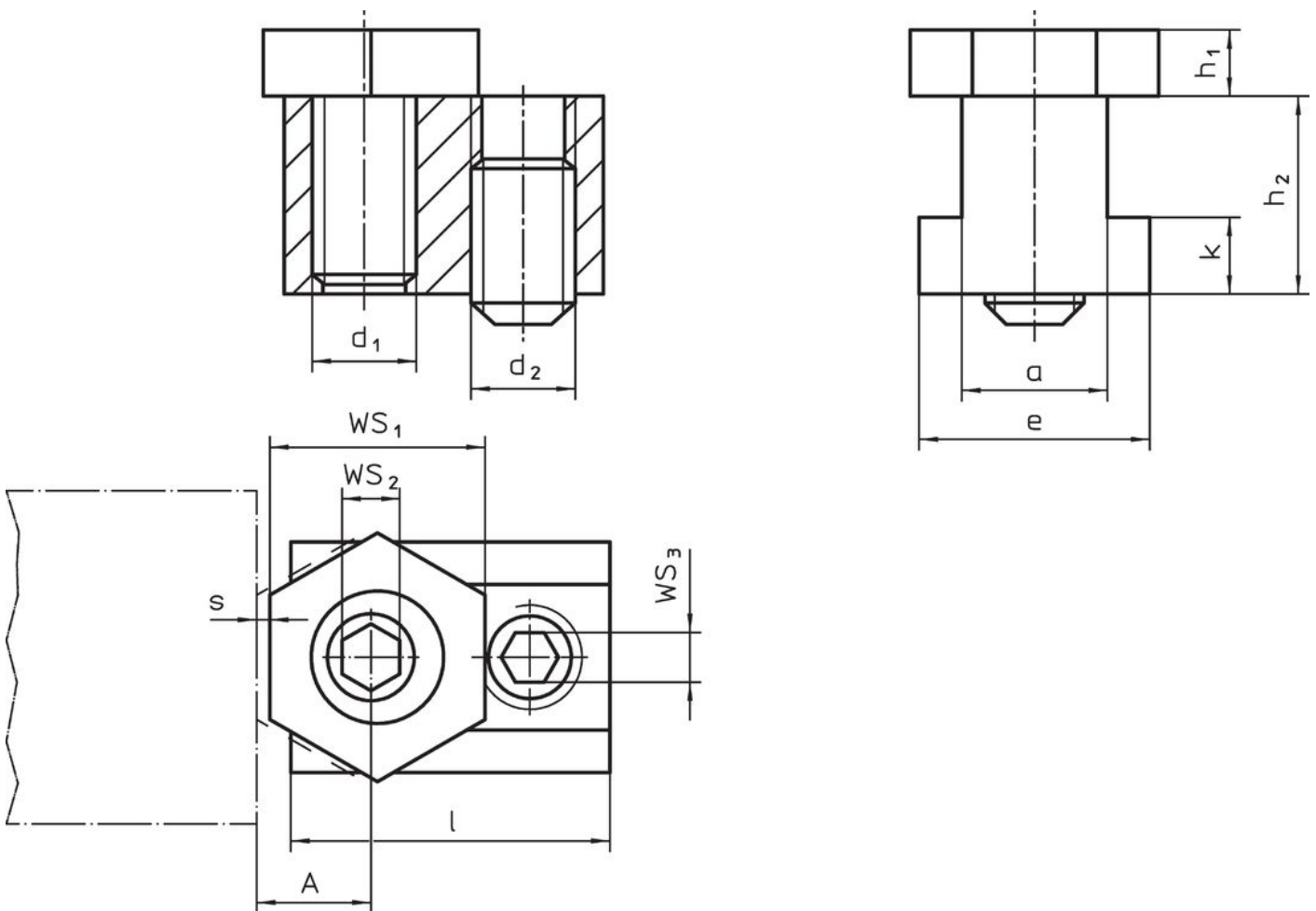
- 钢, 硬化, 染黑

更多信息

注意事项

The head of the eccentric screw can slightly protrude from the body (h_1).

图面



订单信息

T槽 尺寸 [mm]	d ₁	a	e	尺寸					A	WS ₁	WS		夹持力量 max. [kN]	起动 扭力 WS ₂ max. [Nm]	起动 扭力 WS ₃ max. [Nm]	📦	品号
				h ₁	h ₂	k	s	l			WS ₂	WS ₃					
10	M 6	9,8	14,3	4,8	14,3	4,4	1,0	23,2	7,8	16,0	4	3	3,4	10	8	35	23270.0410
14	M10	13,7	22,1	6,4	22,1	8,1	1,3	30,5	10,2	20,6	7	5	7,0	26	35	100	23270.0414
18	M12	17,7	28,5	9,5	28,5	10,5	2,5	34,7	12,7	25,4	8	6	9,0	75	55	190	23270.0418

应用范例

