

压板 · 与可交换的软颚
EH 23190.



产品描述

用于夹紧敏感元件。
由黄铜或塑料制成的软爪可以保护工件免受损坏。

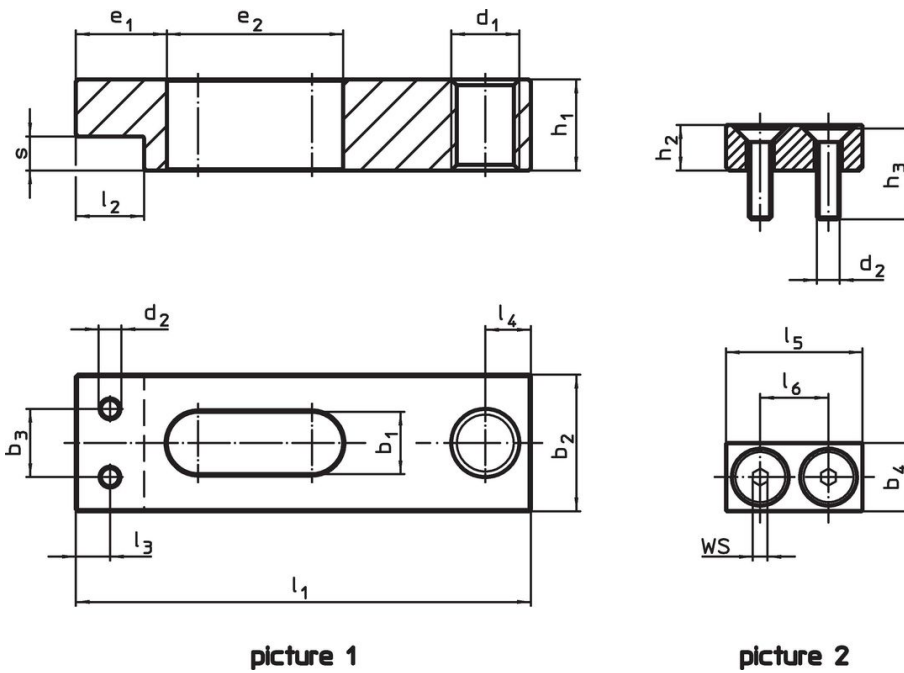
材质

- 软颚
- 黄铜
 - 塑胶
- 钳
- 热处理钢，染黑

组装

软爪可以用两个螺钉安装或拆卸。这些都包含在交货范围内。

图面



picture 1

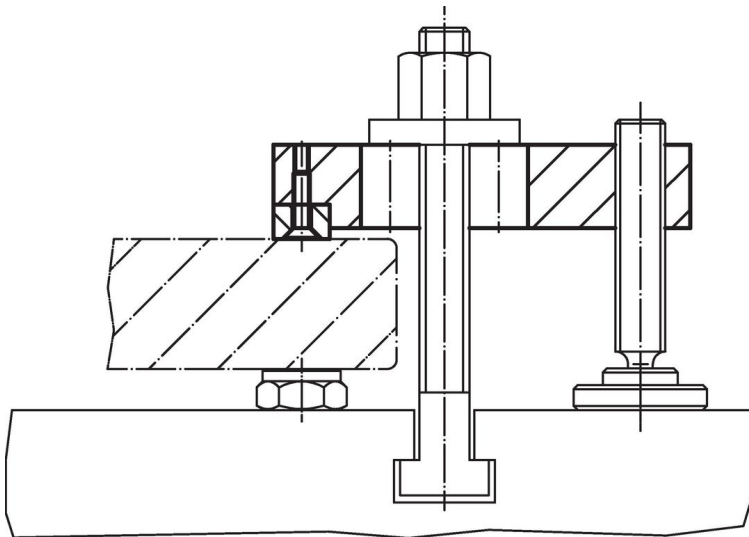
picture 2

订单信息

标称不清。 b ₁ +0,5 [mm]	尺寸																WS [mm]	温度		重量 [g]	品号	
	l ₁	b ₂	b ₃	b ₄	d ₁	d ₂	e ₁	e ₂	h ₁	h ₂	h ₃	l ₂	l ₃	l ₄	l ₅	l ₆		s	min			max.
没有软颚的普通夹子 – 相片 1																						
5,5	40	12	6	–	M 6	M2	8	15,5	8	–	–	6	3,0	4	–	–	3	–	–	–	21,0	23190.0050
7,0	50	16	9	–	M 6	M2,5	10	22,0	10	–	–	8	4,0	5	–	–	4	–	–	–	46,0	23190.0051
9,0	63	20	11	–	M 8	M3	12	29,0	12	–	–	10	5,0	6	–	–	4	–	–	–	86,0	23190.0052
11,0	80	25	14	–	M10	M4	15	36,0	16	–	–	13	6,5	8	–	–	6	–	–	–	183,0	23190.0053
14,0	100	32	16	–	M12	M5	18	44,0	20	–	–	16	8,0	10	–	–	8	–	–	–	366,0	23190.0054
18,0	160	50	30	–	M16	M8	30	63,0	30	–	–	28	14,0	16	–	–	12	–	–	–	1440,0	23190.0055
黄铜软下颚 – 相片 2																						
5,5	–	–	–	6	–	M2	–	–	–	4	8	–	–	–	12	6	–	1,3	–	250	3,9	23190.0060
7,0	–	–	–	8	–	M2,5	–	–	–	6	10	–	–	–	16	9	–	1,5	–	250	7,8	23190.0061
9,0	–	–	–	10	–	M3	–	–	–	6	12	–	–	–	20	11	–	2,0	–	250	11,0	23190.0062
11,0	–	–	–	13	–	M4	–	–	–	9	16	–	–	–	25	14	–	2,5	–	250	26,0	23190.0063
14,0	–	–	–	16	–	M5	–	–	–	12	20	–	–	–	32	16	–	3,0	–	250	53,0	23190.0064
18,0	–	–	–	28	–	M8	–	–	–	16	30	–	–	–	50	30	–	5,0	–	250	187,0	23190.0065

标称 不清。 b ₁ +0,5 [mm]	尺寸																WS		🌡️		📦 [g]	品号	
	l ₁	b ₂	b ₃	b ₄	d ₁	d ₂	e ₁	e ₂	h ₁	h ₂	h ₃	l ₂	l ₃	l ₄	l ₅	l ₆	s	min	max.				
	[mm]																[mm]	[°C]	[g]				
塑料软颚 – 相片 2																							
5,5	-	-	-	6	-	M2	-	-	-	4	8	-	-	-	12	6	-	1,3	0	50	2,2	23190.0070	
7,0	-	-	-	8	-	M2,5	-	-	-	6	10	-	-	-	16	9	-	1,5	0	50	3,4	23190.0071	
9,0	-	-	-	10	-	M3	-	-	-	6	12	-	-	-	20	11	-	2,0	0	50	4,0	23190.0072	
11,0	-	-	-	13	-	M4	-	-	-	9	16	-	-	-	25	14	-	2,5	0	50	7,7	23190.0073	
14,0	-	-	-	16	-	M5	-	-	-	12	20	-	-	-	32	16	-	3,0	0	50	14,0	23190.0074	
18,0	-	-	-	28	-	M8	-	-	-	16	30	-	-	-	50	30	-	5,0	0	50	49,0	23190.0075	

应用范例



遵守

For detailed compliance information please select the desired article number.