

## 轴环螺帽 · DIN 6331 (高1.5d)

EH 23080.



### 产品描述

The collar nuts (flanged nuts) are manufactured according to DIN 6331.

### 材质

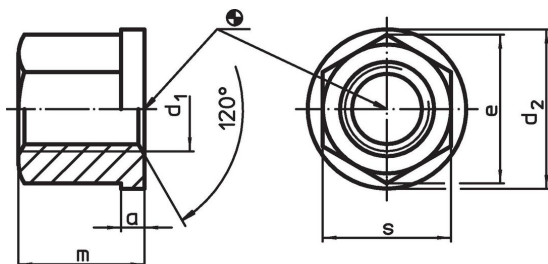
- 钢, quality 10, 磷酸盐处理
- 不锈钢 1.4305

### 更多信息


#### 参考

有关起始扭力和稳定性请参考附件 - 技术数据

### 图面



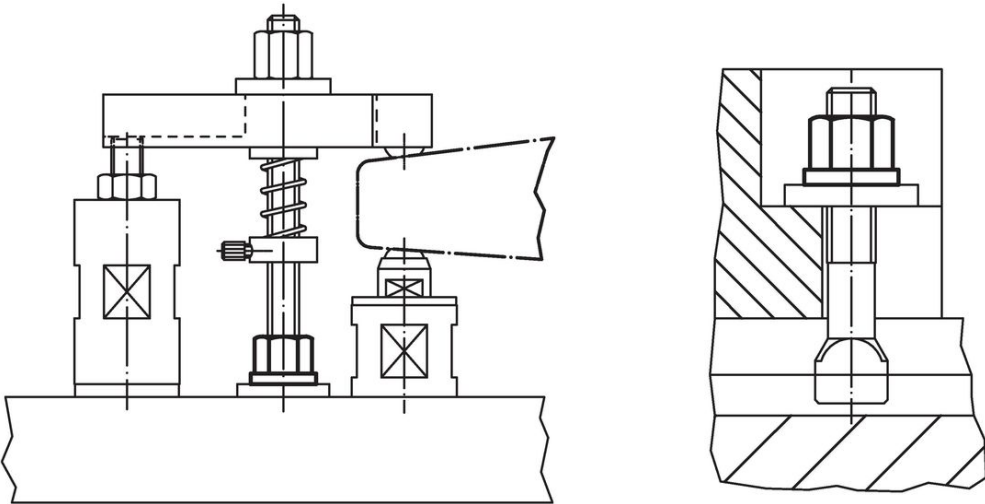
### 订单信息

d <sub>1</sub>	a	尺寸 d <sub>2</sub> [mm]	e	m	s	 [g]	品号
<b>热处理钢</b>							
M 6	3,0	14	11,5	9	10	5,4	23080.0006
M 8	3,5	18	15,0	12	13	12,0	23080.0008
M10	4,0	22	18,5	15	16	22,0	23080.0010
M12	4,0	25	20,8	18	18	30,0	23080.0012
M14	4,5	28	24,2	21	21	47,0	23080.0014 <sup>1)</sup>
M16	5,0	31	27,7	24	24	67,0	23080.0016
M18	5,5	34	31,2	27	27	97,0	23080.0018 <sup>1)</sup>
M20	6,0	37	34,6	30	30	129,0	23080.0020
M22	6,0	40	39,3	33	34	179,0	23080.0022 <sup>1)</sup>
M24	6,0	45	41,6	36	36	213,0	23080.0024
M30	8,0	58	53,1	45	46	468,0	23080.0030
M36	10,0	68	63,5	54	55	783,0	23080.0036
<b>不锈钢</b>							
M 8	3,5	18	15,0	12	13	12,0	23080.0108 <sup>2)</sup>
M10	4,0	22	18,5	15	17	25,0	23080.0110 <sup>2)</sup>
M12	4,0	25	20,8	18	19	36,0	23080.0112 <sup>2)</sup>
M16	5,0	31	27,7	24	24	67,0	23080.0116 <sup>2)</sup>
M20	6,0	37	34,6	30	30	129,0	23080.0120 <sup>2)</sup>

<sup>1)</sup> DIN 标准不包含这些尺寸。

<sup>2)</sup> DIN标准没有包含这些材质。

应用范例



遵守

For detailed compliance information please select the desired article number.