

定位梢 · 有球形端

EH 22630.



产品描述

球形端圆柱梢可有助于工件的插入及避免固夹位置倾斜。

材质

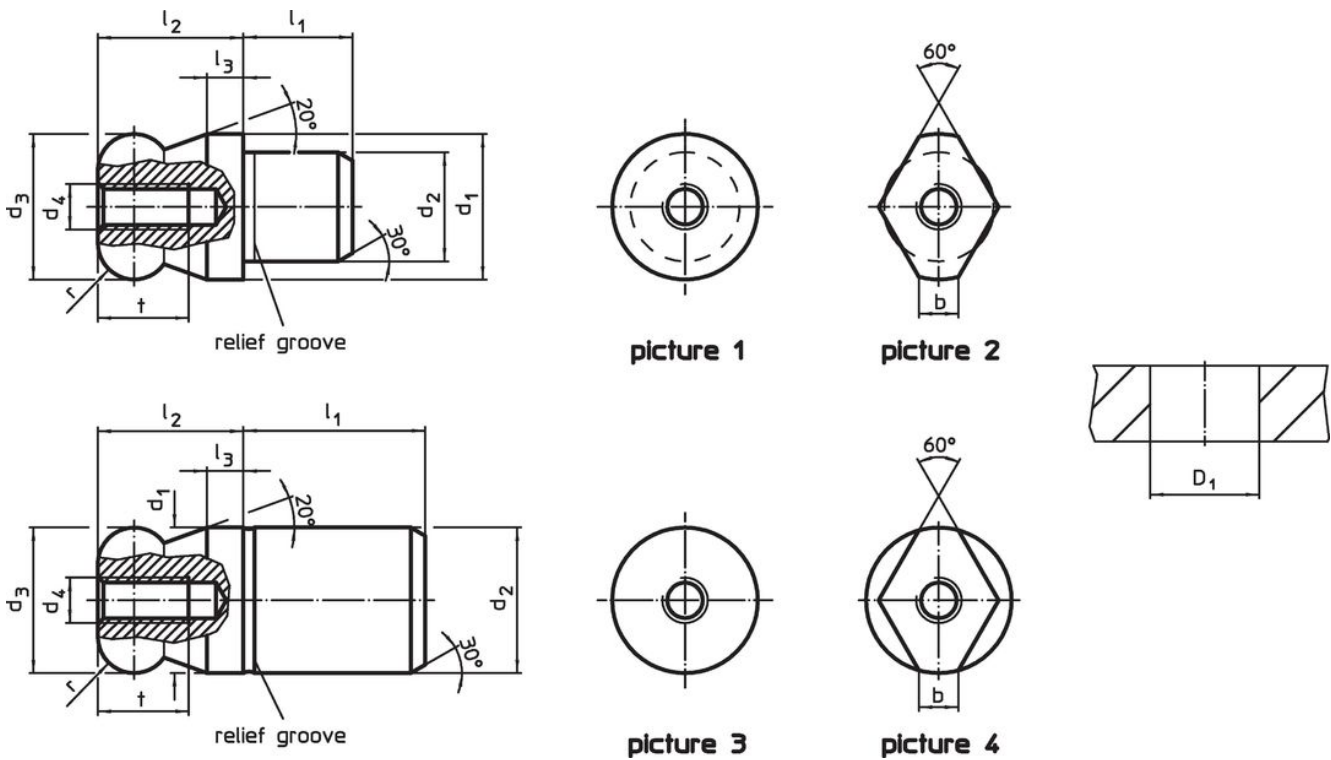
- 工具钢，硬化，研磨和染黑
- 不锈钢 1.4305、地面、表面热处理

更多信息

更多产品


- 定位梢, DIN 6321
- 定位梢, 有孔 类似 DIN 6321


图面



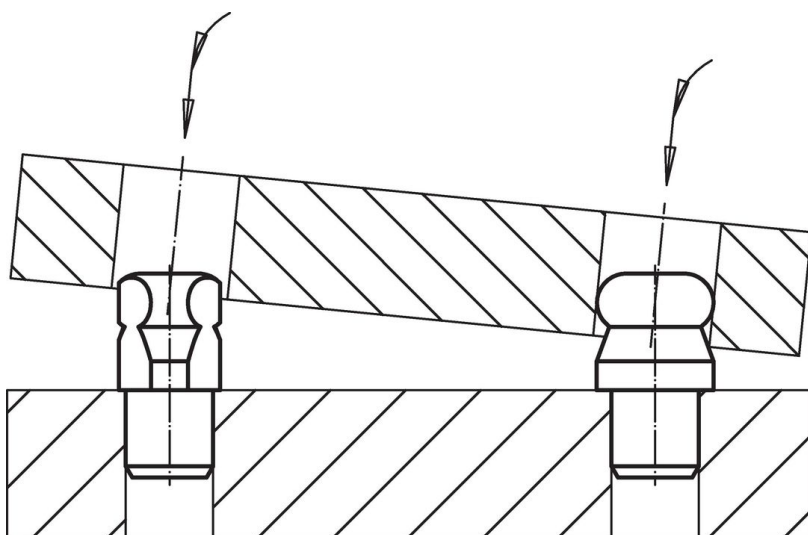
订单信息

d ₁	d ₂	d ₃	d ₄	l ₁	l ₂	l ₃	t	r	b	定位孔 D ₁ H7	品号	
g6	n6	-0,01 -0,05										
尺寸 [mm]										[mm]	[g]	
球端 是平的 – 相片 1, 工具钢												
6	4	6	M2,5	4	6	2,0	4,5	1,0	–	4	1,8	22630.0306
8	6	8	M3	6	8	2,0	6,0	2,0	–	6	3,9	22630.0308
10	7	10	M3	7	10	2,5	6,0	2,5	–	7	6,7	22630.0310
12	8	12	M4	8	12	3,0	8,0	3,0	–	8	11,0	22630.0312
14	10	14	M4	10	14	3,5	8,0	3,5	–	10	20,0	22630.0314
16	12	16	M5	12	16	4,0	10,0	4,0	–	12	31,0	22630.0316
20	14	20	M5	14	20	5,0	10,0	5,0	–	14	58,0	22630.0320
22	16	22	M5	16	22	5,5	10,0	5,5	–	16	81,0	22630.0322
25	18	25	M5	18	25	6,0	10,0	6,0	–	18	118,0	22630.0325

d ₁ g6	d ₂ n6	d ₃ -0,01 -0,05	d ₄	尺寸						定位孔 D ₁ H7		品号
				l ₁	l ₂	l ₃	t	r	b			
[mm]												[g]
球端 是平的 – 相片 1, 不锈钢												
6	4	6	M2,5	4	6	2,0	4,5	1,0	–	4	1,8	22630.0346
8	6	8	M3	6	8	2,0	6,0	2,0	–	6	4,0	22630.0348
10	7	10	M3	7	10	2,5	6,0	2,5	–	7	6,7	22630.0350
12	8	12	M4	8	12	3,0	8,0	3,0	–	8	11,0	22630.0352
14	10	14	M4	10	14	3,5	8,0	3,5	–	10	20,0	22630.0354
16	12	16	M5	12	16	4,0	10,0	4,0	–	12	31,0	22630.0356
20	14	20	M5	14	20	5,0	10,0	5,0	–	14	58,0	22630.0360
球端面 平的 – 相片 2, 工具钢												
6	4	6	M2,5	4	6	2,0	4,5	1,0	1,70	4	1,5	22630.0406
8	6	8	M3	6	8	2,0	6,0	2,0	2,00	6	3,2	22630.0408
10	7	10	M3	7	10	2,5	6,0	2,5	2,50	7	5,3	22630.0410
12	8	12	M4	8	12	3,0	8,0	3,0	2,50	8	8,0	22630.0412
14	10	14	M4	10	14	3,5	8,0	3,5	3,76	10	16,0	22630.0414
16	12	16	M5	12	16	4,0	10,0	4,0	4,30	12	25,0	22630.0416
20	14	20	M5	14	20	5,0	10,0	5,0	5,00	14	46,0	22630.0420
22	16	22	M5	16	22	5,5	10,0	5,5	5,00	16	63,0	22630.0422
25	18	25	M5	18	25	6,0	10,0	6,0	5,60	18	92,0	22630.0425
球端面 平的 – 相片 2, 不锈钢												
6	4	6	M2,5	4	6	2,0	4,5	1,0	1,70	4	1,5	22630.0446
8	6	8	M3	6	8	2,0	6,0	2,0	2,00	6	3,2	22630.0448
10	7	10	M3	7	10	2,5	6,0	2,5	2,50	7	5,3	22630.0450
12	8	12	M4	8	12	3,0	8,0	3,0	2,50	8	8,0	22630.0452
14	10	14	M4	10	14	3,5	8,0	3,5	3,76	10	16,0	22630.0454
16	12	16	M5	12	16	4,0	10,0	4,0	4,30	12	25,0	22630.0456
20	14	20	M5	14	20	5,0	10,0	5,0	5,00	14	46,0	22630.0460
平的球端 非阶梯状 – 相片 3, 工具钢												
5	5	5	M2,5	6	5	2,0	4,5	1,0	–	5	2,4	22630.0505
6	6	6	M3	8	6	2,0	5,0	1,0	–	6	2,9	22630.0506
8	8	8	M3	10	8	2,0	6,0	2,0	–	8	6,0	22630.0508
10	10	10	M3	13	10	2,5	6,0	2,5	–	10	12,0	22630.0510
12	12	12	M4	15	12	3,0	8,0	3,0	–	12	21,0	22630.0512
14	14	14	M4	17	14	3,5	8,0	3,5	–	14	34,0	22630.0514
16	16	16	M5	20	16	4,0	10,0	4,0	–	16	51,0	22630.0516
20	20	20	M5	25	20	5,0	10,0	5,0	–	20	101,0	22630.0520
25	25	25	M5	25	25	6,0	10,0	6,0	–	25	176,0	22630.0525
30	30	30	M6	30	30	8,0	12,0	8,0	–	30	307,0	22630.0530
40	40	40	M6	40	40	10,0	12,0	10,0	–	40	729,0	22630.0540
50	50	50	M6	50	50	12,0	12,0	12,0	–	50	1422,0	22630.0550
平的球端 非阶梯状 – 相片 3, 不锈钢												
5	5	5	M2,5	6	5	2,0	4,5	1,0	–	5	1,8	22630.0565
6	6	6	M3	8	6	2,0	5,0	1,0	–	6	3,4	22630.0566
8	8	8	M3	10	8	2,0	6,0	2,0	–	8	6,0	22630.0568
10	10	10	M3	13	10	2,5	6,0	2,5	–	10	12,0	22630.0570
12	12	12	M4	15	12	3,0	8,0	3,0	–	12	21,0	22630.0572
14	14	14	M4	17	14	3,5	8,0	3,5	–	14	34,0	22630.0574
16	16	16	M5	20	16	4,0	10,0	4,0	–	16	51,0	22630.0576
20	20	20	M5	25	20	5,0	10,0	5,0	–	20	101,0	22630.0580
平的球端面, 非阶梯状 – 相片 4, 工具钢												
5	5	5	M2,5	6	5	2,0	4,5	1,0	1,50	5	1,2	22630.0605
6	6	6	M3	8	6	2,0	5,0	1,0	1,80	6	3,1	22630.0606
8	8	8	M3	10	8	2,0	6,0	2,0	1,90	8	5,0	22630.0608
10	10	10	M3	13	10	2,5	6,0	2,5	2,50	10	11,0	22630.0610
12	12	12	M4	15	12	3,0	8,0	3,0	2,50	12	17,0	22630.0612
14	14	14	M4	17	14	3,5	8,0	3,5	3,90	14	30,0	22630.0614
16	16	16	M5	20	16	4,0	10,0	4,0	4,30	16	44,0	22630.0616
20	20	20	M5	25	20	5,0	10,0	5,0	5,00	20	88,0	22630.0620

d ₁ g6	d ₂ n6	d ₃ -0,01 -0,05	d ₄	尺寸						定位孔 D ₁ H7		品号
				l ₁	l ₂	l ₃	t	r	b			
[mm]										[mm]	[g]	
25	25	25	M5	25	25	6,0	10,0	6,0	5,60	25	149,0	22630.0625
30	30	30	M6	30	30	8,0	12,0	8,0	8,80	30	270,0	22630.0630
40	40	40	M6	40	40	10,0	12,0	10,0	12,80	40	657,0	22630.0640
50	50	50	M6	50	50	12,0	12,0	12,0	16,70	50	1243,0	22630.0650
平的球端面, 非阶梯状 – 相片 4, 不锈钢												
5	5	5	M2,5	6	5	2,0	4,5	1,0	1,50	5	1,1	22630.0665
6	6	6	M3	8	6	2,0	5,0	1,0	1,80	6	2,3	22630.0666
8	8	8	M3	10	8	2,0	6,0	2,0	1,90	8	5,0	22630.0668
10	10	10	M3	13	10	2,5	6,0	2,5	2,50	10	11,0	22630.0670
12	12	12	M4	15	12	3,0	8,0	3,0	2,50	12	17,0	22630.0672
14	14	14	M4	17	14	3,5	8,0	3,5	3,90	14	30,0	22630.0674
16	16	16	M5	20	16	4,0	10,0	4,0	4,30	16	44,0	22630.0676
20	20	20	M5	25	20	5,0	10,0	5,0	5,00	20	88,0	22630.0680

应用范例



遵守

符合 RoHS

符合指令 2011/65/EU 和指令 2015/863

不含 SVHC 物质

不含超过 0.1% w/w 的 SVHC 物质 - 截至 2024 年 6 月 27 日的 SVHC 清单.

不含 65 号提案物质

不包括 65 号提案物质

<https://www.P65Warnings.ca.gov/>

不含冲突矿物

„本产品不含来自刚果民主共和国或邻近国家的任何被指定为“冲突矿物”的物质，例如钽、锡、金或钨。