

支撑脚 · 防滑保护

EH 22593.



产品描述

支撑脚是万用的就像可调整脚一样。
带有橡胶盖的这个版本，灵敏的支撑表面是被保护的，而且防滑。
板件被锁在螺纹销和螺母上，藉由一个不锈钢锁附螺丝，同时胶水沾黏。

材质

螺纹销

- 钢，镀锌，钝化
- 不锈钢 1.4305

橡胶驾驶室

- 橡胶，黑色

螺帽

- 钢，镀锌，钝化
- 不锈钢 1.4305

固定螺帽

- 钢，镀锌，钝化，ISO 4032
- 不锈钢 A2, ISO 4032

脚座

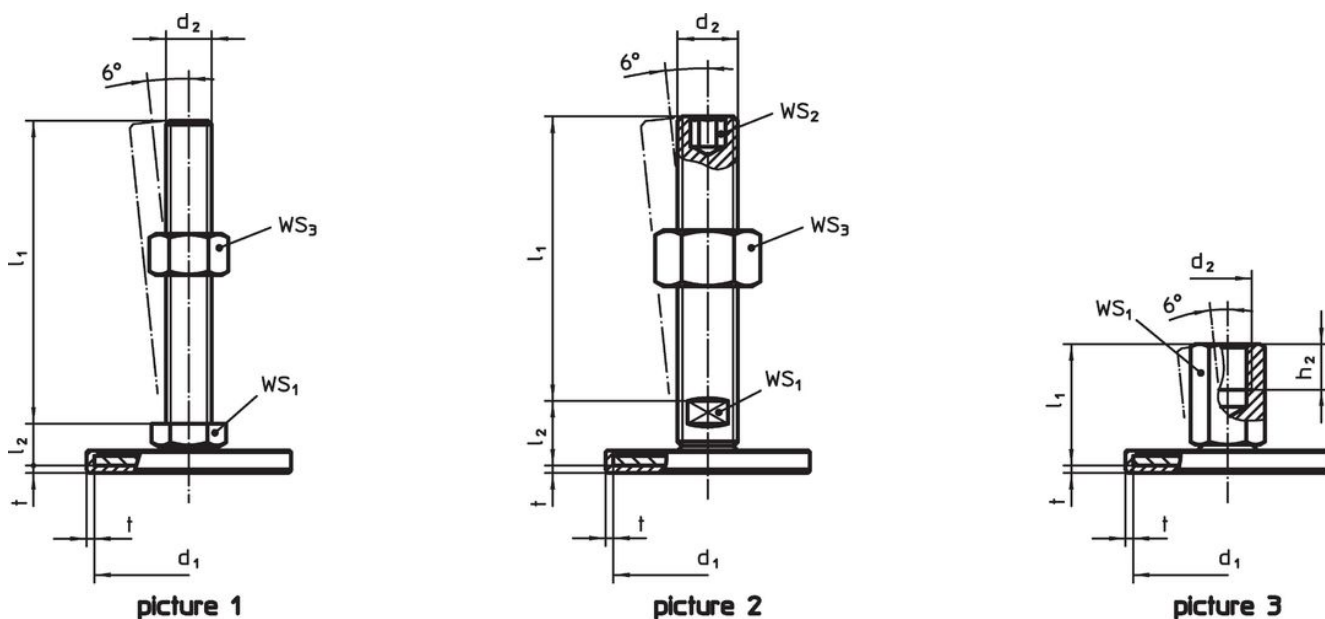
- 钢，镀锌，钝化
- 不锈钢 1.4301，振动研磨

更多信息

更多产品

- 支撑脚

图面



订单信息

d ₁	d ₂	尺寸				t	WS ₁	WS ₂	WS ₃	[g]	品号
		l ₁	h ₂	l ₂	[mm]						
有螺丝 – 相片 1, 钢											
40	M 8	40	–	11	1,5	17	–	13	51	22593.0305	
40	M 8	50	–	11	1,5	17	–	13	51	22593.0310	
40	M 8	63	–	11	1,5	17	–	13	56	22593.0315	
40	M10	50	–	11	1,5	17	–	16	65	22593.0320	
40	M10	60	–	11	1,5	17	–	16	71	22593.0325	
40	M10	80	–	11	1,5	17	–	16	80	22593.0330	
40	M10	100	–	11	1,5	17	–	16	94	22593.0335	
40	M12	60	–	11	1,5	17	–	18	86	22593.0340	
40	M12	80	–	11	1,5	17	–	18	102	22593.0345	

d ₁	d ₂	尺寸				t	WS ₁	WS ₂	WS ₃	📏	品号
		l ₁	h ₂	l ₂	[mm]						
						[mm]	[mm]	[mm]	[g]		
40	M12	100	–	11	1,5	17	–	18	118	22593.0350	
40	M12	125	–	11	1,5	17	–	18	136	22593.0355	
50	M 8	40	–	11	2,0	17	–	13	70	22593.0360	
50	M 8	50	–	11	2,0	17	–	13	74	22593.0365	
50	M 8	63	–	11	2,0	17	–	13	77	22593.0370	
50	M10	50	–	11	2,0	17	–	16	87	22593.0375	
50	M10	60	–	11	2,0	17	–	16	91	22593.0380	
50	M10	80	–	11	2,0	17	–	16	103	22593.0385	
50	M10	100	–	11	2,0	17	–	16	113	22593.0390	
50	M12	60	–	11	2,0	17	–	18	109	22593.0395	
50	M12	80	–	11	2,0	17	–	18	110	22593.0400	
50	M12	100	–	11	2,0	17	–	18	139	22593.0405	
50	M12	125	–	11	2,0	17	–	18	156	22593.0410	
60	M 8	40	–	11	2,0	17	–	13	90	22593.0415	
60	M 8	50	–	11	2,0	17	–	13	91	22593.0420	
60	M 8	63	–	11	2,0	17	–	13	98	22593.0425	
60	M10	50	–	11	2,0	17	–	16	110	22593.0430	
60	M10	60	–	11	2,0	17	–	16	110	22593.0435	
60	M10	80	–	11	2,0	17	–	16	122	22593.0440	
60	M10	100	–	11	2,0	17	–	16	132	22593.0445	
60	M12	60	–	11	2,0	17	–	18	129	22593.0450	
60	M12	80	–	11	2,0	17	–	18	143	22593.0455	
60	M12	100	–	11	2,0	17	–	18	158	22593.0460	
60	M12	125	–	11	2,0	17	–	18	177	22593.0465	
80	M 8	40	–	12	2,0	17	–	13	158	22593.0470	
80	M 8	50	–	12	2,0	17	–	13	164	22593.0475	
80	M 8	63	–	12	2,0	17	–	13	166	22593.0480	
80	M10	50	–	12	2,0	17	–	16	176	22593.0485	
80	M10	60	–	12	2,0	17	–	16	181	22593.0490	
80	M10	80	–	12	2,0	17	–	16	192	22593.0495	
80	M10	100	–	12	2,0	17	–	16	201	22593.0500	
80	M12	60	–	12	2,0	17	–	18	199	22593.0505	
80	M12	80	–	12	2,0	17	–	18	213	22593.0510	
80	M12	100	–	12	2,0	17	–	18	230	22593.0515	
80	M12	125	–	12	2,0	17	–	18	245	22593.0520	
有螺丝 – 相片 2, 钢											
40	M16	75	–	17	1,5	12	8	24	154	22593.0805	
40	M16	100	–	17	1,5	12	8	24	186	22593.0810	
40	M16	125	–	17	1,5	12	8	24	219	22593.0815	
40	M16	150	–	17	1,5	12	8	24	254	22593.0820	
40	M16	200	–	17	1,5	12	8	24	318	22593.0825	
50	M16	75	–	17	2,0	12	8	24	177	22593.0830	
50	M16	100	–	17	2,0	12	8	24	209	22593.0835	
50	M16	125	–	17	2,0	12	8	24	244	22593.0840	
50	M16	150	–	17	2,0	12	8	24	278	22593.0845	
50	M16	200	–	17	2,0	12	8	24	342	22593.0850	
60	M16	75	–	17	2,0	12	8	24	196	22593.0855	
60	M16	100	–	17	2,0	12	8	24	228	22593.0860	
60	M16	125	–	17	2,0	12	8	24	262	22593.0865	
60	M16	150	–	17	2,0	12	8	24	295	22593.0870	
60	M16	200	–	17	2,0	12	8	24	358	22593.0875	
80	M16	75	–	18	2,0	12	8	24	266	22593.0880	
80	M16	100	–	18	2,0	12	8	24	299	22593.0885	
80	M16	125	–	18	2,0	12	8	24	332	22593.0890	
80	M16	150	–	18	2,0	12	8	24	358	22593.0895	
80	M16	200	–	18	2,0	12	8	24	432	22593.0900	
80	M20	75	–	19	2,0	15	10	30	355	22593.0905	
80	M20	100	–	19	2,0	15	10	30	405	22593.0910	
80	M20	125	–	19	2,0	15	10	30	454	22593.0915	
80	M20	150	–	19	2,0	15	10	30	507	22593.0920	
80	M20	200	–	19	2,0	15	10	30	614	22593.0925	

d ₁	d ₂	尺寸				t	WS ₁	WS ₂	WS ₃	📏	品号
		l ₁	h ₂	l ₂	[mm]						
						[mm]	[mm]	[mm]		[g]	
80	M24	100	-	22	2,0	19	12	36	546	22593.0930	
80	M24	125	-	22	2,0	19	12	36	626	22593.0935	
80	M24	150	-	22	2,0	19	12	36	693	22593.0940	
80	M24	200	-	22	2,0	19	12	36	847	22593.0945	
有母牙 – 相片 3, 钢											
40	M 8	25	8	-	1,5	14	-	-	46	22593.1105	
40	M10	28	10	-	1,5	14	-	-	46	22593.1110	
40	M12	31	12	-	1,5	17	-	-	63	22593.1115	
40	M16	37	16	-	1,5	22	-	-	98	22593.1120	
50	M 8	25	8	-	2,0	14	-	-	69	22593.1125	
50	M10	28	10	-	2,0	14	-	-	67	22593.1130	
50	M12	32	12	-	2,0	17	-	-	84	22593.1135	
50	M16	37	16	-	2,0	22	-	-	121	22593.1140	
60	M 8	25	8	-	2,0	14	-	-	88	22593.1145	
60	M10	28	10	-	2,0	14	-	-	88	22593.1150	
60	M12	32	12	-	2,0	17	-	-	104	22593.1155	
60	M16	37	16	-	2,0	22	-	-	142	22593.1160	
80	M 8	26	8	-	2,0	14	-	-	156	22593.1165	
80	M10	29	10	-	2,0	14	-	-	159	22593.1170	
80	M12	32	12	-	2,0	17	-	-	173	22593.1175	
80	M16	38	16	-	2,0	22	-	-	209	22593.1180	
80	M20	45	20	-	2,0	27	-	-	268	22593.1185	
有螺丝 – 相片 1, 不锈钢											
40	M 8	40	-	11	1,5	17	-	13	51	22593.1805	
40	M 8	50	-	11	1,5	17	-	13	51	22593.1810	
40	M 8	63	-	11	1,5	17	-	13	56	22593.1815	
40	M10	50	-	11	1,5	17	-	16	65	22593.1820	
40	M10	60	-	11	1,5	17	-	16	71	22593.1825	
40	M10	80	-	11	1,5	17	-	16	80	22593.1830	
40	M10	100	-	11	1,5	17	-	16	94	22593.1835	
40	M12	60	-	11	1,5	17	-	18	86	22593.1840	
40	M12	80	-	11	1,5	17	-	18	102	22593.1845	
40	M12	100	-	11	1,5	17	-	18	118	22593.1850	
40	M12	125	-	11	1,5	17	-	18	136	22593.1855	
50	M 8	40	-	11	2,0	17	-	13	70	22593.1860	
50	M 8	50	-	11	2,0	17	-	13	74	22593.1865	
50	M 8	63	-	11	2,0	17	-	13	77	22593.1870	
50	M10	50	-	11	2,0	17	-	16	87	22593.1875	
50	M10	60	-	11	2,0	17	-	16	91	22593.1880	
50	M10	80	-	11	2,0	17	-	16	103	22593.1885	
50	M10	100	-	11	2,0	17	-	16	113	22593.1890	
50	M12	60	-	11	2,0	17	-	18	109	22593.1895	
50	M12	80	-	11	2,0	17	-	18	110	22593.1900	
50	M12	100	-	11	2,0	17	-	18	139	22593.1905	
50	M12	125	-	11	2,0	17	-	18	156	22593.1910	
60	M 8	40	-	11	2,0	17	-	13	90	22593.1915	
60	M 8	50	-	11	2,0	17	-	13	91	22593.1920	
60	M 8	63	-	11	2,0	17	-	13	98	22593.1925	
60	M10	50	-	11	2,0	17	-	16	110	22593.1930	
60	M10	60	-	11	2,0	17	-	16	110	22593.1935	
60	M10	80	-	11	2,0	17	-	16	122	22593.1940	
60	M10	100	-	11	2,0	17	-	16	132	22593.1945	
60	M12	60	-	11	2,0	17	-	18	129	22593.1950	
60	M12	80	-	11	2,0	17	-	18	143	22593.1955	
60	M12	100	-	11	2,0	17	-	18	158	22593.1960	
60	M12	125	-	11	2,0	17	-	18	177	22593.1965	
80	M 8	40	-	12	2,0	17	-	13	158	22593.1970	
80	M 8	50	-	12	2,0	17	-	13	164	22593.1975	
80	M 8	63	-	12	2,0	17	-	13	166	22593.1980	
80	M10	50	-	12	2,0	17	-	16	176	22593.1985	
80	M10	60	-	12	2,0	17	-	16	181	22593.1990	
80	M10	80	-	12	2,0	17	-	16	192	22593.1995	

d ₁	d ₂	尺寸				t	WS ₁	WS ₂	WS ₃	📏	品号
		l ₁	h ₂	l ₂	[mm]						
						[mm]	[mm]	[mm]		[g]	
80	M10	100	–	12	2,0	17	–	16	201	22593.2000	
80	M12	60	–	12	2,0	17	–	18	199	22593.2005	
80	M12	80	–	12	2,0	17	–	18	213	22593.2010	
80	M12	100	–	12	2,0	17	–	18	230	22593.2015	
80	M12	125	–	12	2,0	17	–	18	245	22593.2020	
有螺丝 – 相片 2, 不锈钢											
40	M16	75	–	17	1,5	12	8	24	154	22593.2305	
40	M16	100	–	17	1,5	12	8	24	186	22593.2310	
40	M16	125	–	17	1,5	12	8	24	219	22593.2315	
40	M16	150	–	17	1,5	12	8	24	254	22593.2320	
40	M16	200	–	17	1,5	12	8	24	318	22593.2325	
50	M16	75	–	17	2,0	12	8	24	177	22593.2330	
50	M16	100	–	17	2,0	12	8	24	209	22593.2335	
50	M16	125	–	17	2,0	12	8	24	244	22593.2340	
50	M16	150	–	17	2,0	12	8	24	278	22593.2345	
50	M16	200	–	17	2,0	12	8	24	342	22593.2350	
60	M16	75	–	17	2,0	12	8	24	196	22593.2355	
60	M16	100	–	17	2,0	12	8	24	228	22593.2360	
60	M16	125	–	17	2,0	12	8	24	262	22593.2365	
60	M16	150	–	17	2,0	12	8	24	295	22593.2370	
60	M16	200	–	17	2,0	12	8	24	358	22593.2375	
80	M16	75	–	18	2,0	12	8	24	266	22593.2380	
80	M16	100	–	18	2,0	12	8	24	299	22593.2385	
80	M16	125	–	18	2,0	12	8	24	332	22593.2390	
80	M16	150	–	18	2,0	12	8	24	358	22593.2395	
80	M16	200	–	18	2,0	12	8	24	432	22593.2400	
80	M20	75	–	19	2,0	15	10	30	355	22593.2405	
80	M20	100	–	19	2,0	15	10	30	405	22593.2410	
80	M20	125	–	19	2,0	15	10	30	454	22593.2415	
80	M20	150	–	19	2,0	15	10	30	507	22593.2420	
80	M20	200	–	19	2,0	15	10	30	614	22593.2425	
80	M24	100	–	22	2,0	19	12	36	546	22593.2430	
80	M24	125	–	22	2,0	19	12	36	626	22593.2435	
80	M24	150	–	22	2,0	19	12	36	693	22593.2440	
80	M24	200	–	22	2,0	19	12	36	847	22593.2445	
有母牙 – 相片 3, 不锈钢											
40	M 8	25	8	–	1,5	14	–	–	46	22593.2605	
40	M10	28	10	–	1,5	14	–	–	46	22593.2610	
40	M12	31	12	–	1,5	17	–	–	63	22593.2615	
40	M16	37	16	–	1,5	22	–	–	98	22593.2620	
50	M 8	25	8	–	2,0	14	–	–	69	22593.2625	
50	M10	28	10	–	2,0	14	–	–	67	22593.2630	
50	M12	32	12	–	2,0	17	–	–	84	22593.2635	
50	M16	37	16	–	2,0	22	–	–	121	22593.2640	
60	M 8	25	8	–	2,0	14	–	–	88	22593.2645	
60	M10	28	10	–	2,0	14	–	–	88	22593.2650	
60	M12	32	12	–	2,0	17	–	–	104	22593.2655	
60	M16	37	16	–	2,0	22	–	–	142	22593.2660	
80	M 8	26	8	–	2,0	14	–	–	156	22593.2665	
80	M10	29	10	–	2,0	14	–	–	159	22593.2670	
80	M12	32	12	–	2,0	17	–	–	173	22593.2675	
80	M16	38	16	–	2,0	22	–	–	209	22593.2680	
80	M20	45	20	–	2,0	27	–	–	268	22593.2685	

遵守

For detailed compliance information please select the desired article number.