

## 水平脚座 · 防滑保护 EH 22590.



### 产品描述

用来当作推力脚垫或脚座。  
在嵌装垫外的塑料套可预防滑动。

### 材质

#### 滚珠轴承

- 切削钢, 表面硬化, 染黑。
- 不锈钢 1.4305

#### 有杆滚珠轴承

- 热处理钢, 染黑
- 不锈钢 1.4305

#### 橡胶驾驶室

- 橡胶, 黑色

#### 固定螺帽

- 钢, 染黑, ISO 4032
- 钢, 染黑, DIN 934
- 不锈钢 A2, ISO 4032
- 不锈钢 A2, DIN 934

#### 脚座

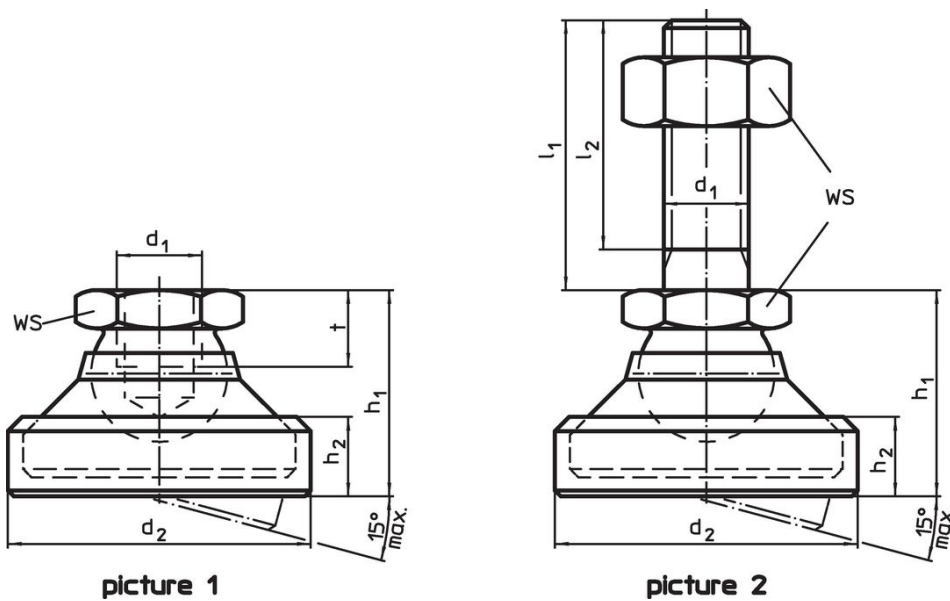
- 钢, 热处理, 染黑
- 不锈钢 1.4305
- 得林白塑料 (POM)

### 更多信息


#### 注意事项


对于版本  $d_1 = M10$  和  $M12$ , 锁紧螺母符合 DIN 934 标准。

### 图面



### 订单信息

| $d_1$                 | $l_1$ | $d_2$ | 尺寸<br>[mm] |            |       |      | WS<br>[mm] | 静态荷重能力<br>max.<br>[kN] | <br>[g] | 品号         |
|-----------------------|-------|-------|------------|------------|-------|------|------------|------------------------|--|------------|
|                       |       |       | $l_2$      | $h_1$<br>~ | $h_2$ | t    |            |                        |  |            |
| 衬垫和 轴承 钢 – 相片 1, 热处理钢 |       |       |            |            |       |      |            |                        |  |            |
| M 6                   | –     | 22,5  | –          | 16,5       | 6,4   | 5,0  | 10         | 10                     | 19,0   | 22590.1006 |
| M 8                   | –     | 28,0  | –          | 20,6       | 8,3   | 7,0  | 13         | 18                     | 40,0   | 22590.1008 |
| M10                   | –     | 36,0  | –          | 26,0       | 11,0  | 9,0  | 17         | 20                     | 80,0   | 22590.1010 |
| M12                   | –     | 45,0  | –          | 30,5       | 13,2  | 11,0 | 19         | 35                     | 126,0  | 22590.1012 |
| M16                   | –     | 56,0  | –          | 37,5       | 15,5  | 13,5 | 24         | 45                     | 241,0  | 22590.1016 |
| M20                   | –     | 67,0  | –          | 49,5       | 19,5  | 17,0 | 30         | 55                     | 480,0  | 22590.1020 |
| M24                   | –     | 69,0  | –          | 55,0       | 24,0  | 19,0 | 36         | 65                     | 554,0  | 22590.1024 |

| d <sub>1</sub>                          | l <sub>1</sub> | d <sub>2</sub> | 尺寸             |                     |                |      | t  | WS<br>[mm] | 静态荷重能力<br>max.<br>[kN] | <br>[g] | 品号 |
|---|----------------|----------------|----------------|---------------------|----------------|------|----|------------|------------------------|--|----|
|   |                |                | l <sub>2</sub> | h <sub>1</sub><br>~ | h <sub>2</sub> | [mm] |    |            |                        |  |    |
| <b>衬垫和轴承钢 – 相片 1, 不锈钢</b>               |                |                |                |                     |                |      |    |            |                        |  |    |
| M 6                                     | –              | 22,5           | –              | 16,5                | 6,4            | 5,0  | 10 | 8          | 17,0                   | 22590.1206   |    |
| M 8                                     | –              | 28,0           | –              | 20,6                | 8,3            | 7,0  | 13 | 14         | 36,0                   | 22590.1208   |    |
| M10                                     | –              | 36,0           | –              | 26,0                | 11,0           | 9,0  | 17 | 16         | 74,0                   | 22590.1210   |    |
| M12                                     | –              | 45,0           | –              | 30,5                | 13,2           | 11,0 | 19 | 28         | 123,0                  | 22590.1212   |    |
| M16                                     | –              | 56,0           | –              | 37,5                | 15,5           | 13,5 | 24 | 36         | 241,0                  | 22590.1216   |    |
| M20                                     | –              | 67,0           | –              | 49,5                | 19,5           | 17,0 | 30 | 44         | 500,0                  | 22590.1220   |    |
| M24                                     | –              | 69,0           | –              | 55,0                | 24,0           | 19,0 | 36 | 52         | 517,0                  | 22590.1224   |    |
| <b>衬垫 得林塑料, 轴承 不锈钢 – 相片 1, 热塑性的</b>     |                |                |                |                     |                |      |    |            |                        |  |    |
| M 6                                     | –              | 22,5           | –              | 16,5                | 6,4            | 5,0  | 10 | 4          | 7,8                    | 22590.1106   |    |
| M 8                                     | –              | 28,0           | –              | 20,6                | 8,3            | 7,0  | 13 | 7          | 17,0                   | 22590.1108   |    |
| M10                                     | –              | 36,0           | –              | 26,0                | 11,0           | 9,0  | 17 | 10         | 34,0                   | 22590.1110   |    |
| M12                                     | –              | 45,0           | –              | 30,5                | 13,2           | 11,0 | 19 | 18         | 57,0                   | 22590.1112   |    |
| M16                                     | –              | 56,0           | –              | 37,5                | 15,5           | 13,5 | 24 | 20         | 96,0                   | 22590.1116   |    |
| M20                                     | –              | 67,0           | –              | 49,5                | 19,5           | 17,0 | 30 | 22         | 190,0                  | 22590.1120   |    |
| M24                                     | –              | 69,0           | –              | 55,0                | 24,0           | 19,0 | 36 | 25         | 240,0                  | 22590.1124   |    |
| <b>衬垫和轴承 含螺栓钢 – 相片 2, 热处理钢</b>          |                |                |                |                     |                |      |    |            |                        |  |    |
| M 6                                     | 60             | 22,5           | 57,0           | 16,5                | 6,4            | –    | 10 | 10         | 32,0                   | 22590.1410   |    |
| M 8                                     | 80             | 28,0           | 76,0           | 20,6                | 8,3            | –    | 13 | 18         | 69,0                   | 22590.1422   |    |
| M10                                     | 100            | 36,0           | 95,5           | 26,0                | 11,0           | –    | 17 | 20         | 139,0                  | 22590.1438   |    |
| M10                                     | 150            | 36,0           | 145,5          | 26,0                | 11,0           | –    | 17 | 20         | 165,0                  | 22590.1442   |    |
| M12                                     | 100            | 45,0           | 94,5           | 30,5                | 13,2           | –    | 19 | 35         | 252,0                  | 22590.1452   |    |
| M12                                     | 150            | 45,0           | 144,5          | 30,5                | 13,2           | –    | 19 | 35         | 258,0                  | 22590.1456   |    |
| M16                                     | 100            | 56,0           | 94,0           | 37,5                | 15,5           | –    | 24 | 45         | 440,0                  | 22590.1468   |    |
| M16                                     | 200            | 56,0           | 194,0          | 37,5                | 15,5           | –    | 24 | 45         | 600,0                  | 22590.1472   |    |
| M20                                     | 100            | 67,0           | 92,5           | 49,5                | 19,5           | –    | 30 | 55         | 762,0                  | 22590.1482   |    |
| M20                                     | 200            | 67,0           | 192,5          | 49,5                | 19,5           | –    | 30 | 55         | 1080,0                 | 22590.1488   |    |
| M24                                     | 100            | 69,0           | 91,0           | 55,0                | 24,0           | –    | 36 | 65         | 1020,0                 | 22590.1495   |    |
| M24                                     | 200            | 69,0           | 191,0          | 55,0                | 24,0           | –    | 36 | 65         | 1287,0                 | 22590.1498   |    |
| <b>衬垫和轴承 含螺栓钢 – 相片 2, 不锈钢</b>           |                |                |                |                     |                |      |    |            |                        |  |    |
| M 6                                     | 60             | 22,5           | 57,0           | 16,5                | 6,4            | –    | 10 | 8          | 30,0                   | 22590.1610   |    |
| M 8                                     | 80             | 28,0           | 76,0           | 20,6                | 8,3            | –    | 13 | 14         | 71,0                   | 22590.1622   |    |
| M10                                     | 100            | 36,0           | 95,5           | 26,0                | 11,0           | –    | 17 | 16         | 150,0                  | 22590.1638   |    |
| M10                                     | 150            | 36,0           | 145,5          | 26,0                | 11,0           | –    | 17 | 16         | 169,0                  | 22590.1642   |    |
| M12                                     | 100            | 45,0           | 94,5           | 30,5                | 13,2           | –    | 19 | 28         | 227,0                  | 22590.1652   |    |
| M12                                     | 150            | 45,0           | 144,5          | 30,5                | 13,2           | –    | 19 | 28         | 258,0                  | 22590.1656   |    |
| M16                                     | 100            | 56,0           | 94,0           | 37,5                | 15,5           | –    | 24 | 36         | 441,0                  | 22590.1668   |    |
| M16                                     | 200            | 56,0           | 194,0          | 37,5                | 15,5           | –    | 24 | 36         | 630,0                  | 22590.1672   |    |
| M20                                     | 100            | 67,0           | 92,5           | 49,5                | 19,5           | –    | 30 | 44         | 762,0                  | 22590.1682   |    |
| M20                                     | 200            | 67,0           | 192,5          | 49,5                | 19,5           | –    | 30 | 44         | 1065,0                 | 22590.1688   |    |
| M24                                     | 100            | 69,0           | 91,0           | 55,0                | 24,0           | –    | 36 | 52         | 1000,0                 | 22590.1695   |    |
| M24                                     | 200            | 69,0           | 191,0          | 55,0                | 24,0           | –    | 36 | 52         | 1287,0                 | 22590.1698   |    |
| <b>衬垫 得林塑料, 轴承 含螺栓 不锈钢 – 相片 2, 热塑性的</b> |                |                |                |                     |                |      |    |            |                        |  |    |
| M 6                                     | 60             | 22,5           | 57,0           | 16,5                | 6,4            | –    | 10 | 4          | 21,0                   | 22590.1510   |    |
| M 8                                     | 80             | 28,0           | 76,0           | 20,6                | 8,3            | –    | 13 | 7          | 49,0                   | 22590.1522   |    |
| M10                                     | 100            | 36,0           | 95,5           | 26,0                | 11,0           | –    | 17 | 10         | 100,0                  | 22590.1538   |    |
| M10                                     | 150            | 36,0           | 145,5          | 26,0                | 11,0           | –    | 17 | 10         | 124,0                  | 22590.1542   |    |
| M12                                     | 100            | 45,0           | 94,5           | 30,5                | 13,2           | –    | 19 | 18         | 150,0                  | 22590.1552   |    |
| M12                                     | 150            | 45,0           | 144,5          | 30,5                | 13,2           | –    | 19 | 18         | 184,0                  | 22590.1556   |    |
| M16                                     | 100            | 56,0           | 94,0           | 37,5                | 15,5           | –    | 24 | 20         | 285,0                  | 22590.1568   |    |
| M16                                     | 200            | 56,0           | 194,0          | 37,5                | 15,5           | –    | 24 | 20         | 414,0                  | 22590.1572   |    |
| M20                                     | 100            | 67,0           | 92,5           | 49,5                | 19,5           | –    | 30 | 22         | 573,0                  | 22590.1582   |    |
| M20                                     | 200            | 67,0           | 192,5          | 49,5                | 19,5           | –    | 30 | 22         | 704,0                  | 22590.1588   |    |
| M24                                     | 100            | 69,0           | 91,0           | 55,0                | 24,0           | –    | 36 | 25         | 718,0                  | 22590.1595   |    |
| M24                                     | 200            | 69,0           | 191,0          | 55,0                | 24,0           | –    | 36 | 25         | 1016,0                 | 22590.1598   |    |

## 遵守

### 符合 RoHS

符合指令 2011/65/EU 和指令 2015/863

### 不含 SVHC 物质

不含超过 0.1% w/w 的 SVHC 物质 - 截至 2024 年 6 月 27 日的 SVHC 清单.

### 不含 65 号提案物质

不包括 65 号提案物质

<https://www.P65Warnings.ca.gov/>

### 不含冲突矿物

„本产品不含来自刚果民主共和国或邻近国家的任何被指定为“冲突矿物”的物质，例如钽、锡、金或钨。