

水平脚座 EH 22590.



产品描述

用来当作推力脚垫或脚座。

材质

滚珠轴承

- 钢, 热处理, 染黑
- 不锈钢 1.4305

有杆滚珠轴承

- 钢, 热处理, 染黑
- 不锈钢 1.4305

固定螺帽

- 钢, 染黑, ISO 4032
- 钢, 染黑, DIN 934
- 不锈钢 A2, ISO 4032
- 不锈钢 A2, DIN 934

脚座

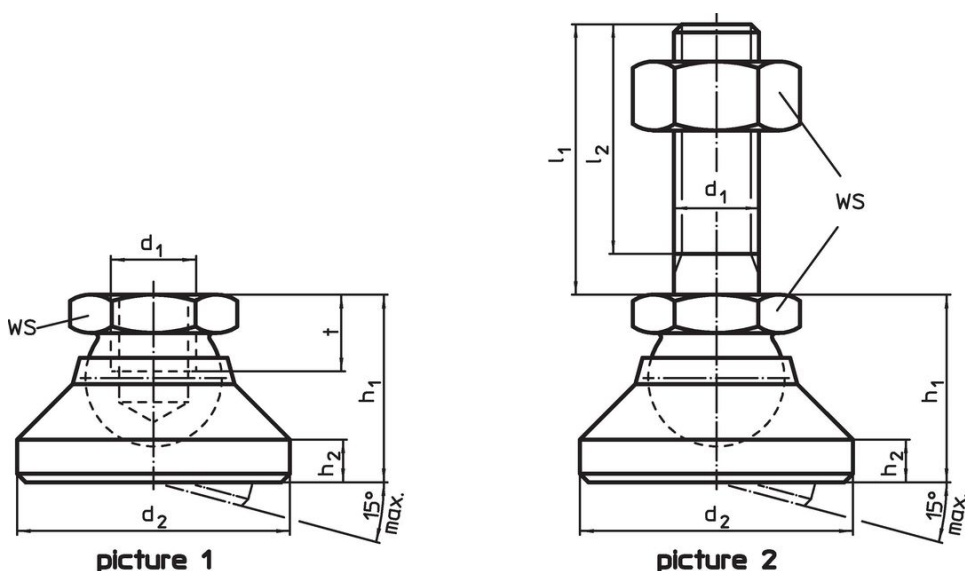
- 热处理钢, 染黑
- 不锈钢 1.4305
- 得林白塑料 (POM)

更多信息

注意事项

对于版本 $d_1 = M10$ 和 $M12$, 锁紧螺母符合DIN 934标准。

图面

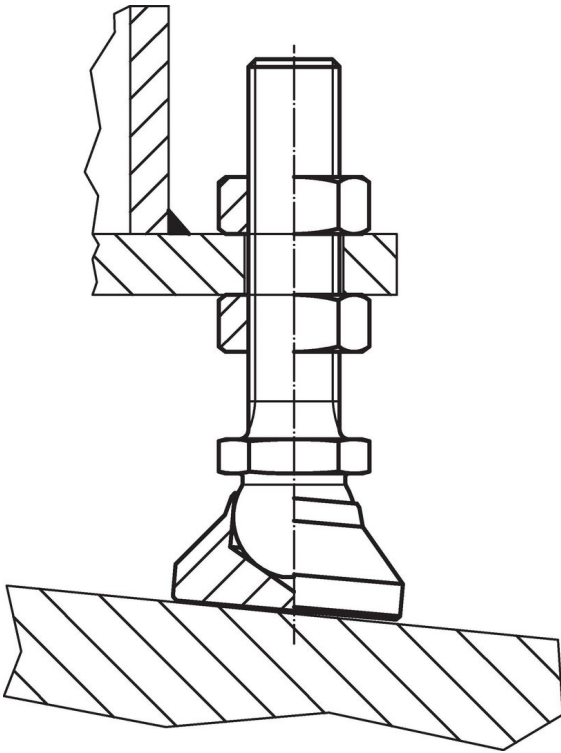


订单信息

d ₁	l ₁	d ₂	尺寸				WS	静态荷重能力 max.	温度		重量 [g]	品号		
			l ₂	h ₁	h ₂	t			min	max.				
[mm]												[kN]	[°C]	[g]
衬垫和轴承钢 – 相片 1, 热处理钢														
M 6	–	20	–	14	2,5	5,0	10	10	–	250	15,0	22590.0006		
M 8	–	25	–	18	4,0	7,0	13	18	–	250	33,0	22590.0008		
M10	–	32	–	22	5,0	9,0	17	20	–	250	67,0	22590.0010		
M12	–	40	–	26	6,0	11,0	19	35	–	250	112,0	22590.0012		
M16	–	50	–	32	7,0	13,5	24	45	–	250	254,0	22590.0016		
M20	–	60	–	42	8,0	17,0	30	55	–	250	451,0	22590.0020		
M24	–	60	–	45	9,5	19,0	36	65	–	250	498,0	22590.0024		
衬垫和轴承钢 – 相片 1, 不锈钢														
M 6	–	20	–	14	2,5	5,0	10	8	–	250	15,0	22590.0206		
M 8	–	25	–	18	4,0	7,0	13	14	–	250	33,0	22590.0208		
M10	–	32	–	22	5,0	9,0	17	16	–	250	67,0	22590.0210		

d ₁	l ₁	d ₂	尺寸				t	WS [mm]	静态荷重能力 max. [kN]	温度		重量 [g]	品号
			l ₂ [mm]	h ₁ ~	h ₂	min				max. [°C]			
M12	-	40	-	26	6,0	11,0	19	28	-	250	113,0	22590.0212	
M16	-	50	-	32	7,0	13,5	24	36	-	250	256,0	22590.0216	
M20	-	60	-	42	8,0	17,0	30	44	-	250	452,0	22590.0220	
M24	-	60	-	45	9,5	19,0	36	52	-	250	504,0	22590.0224	
衬垫 得林塑料, 轴承 不锈钢 - 相片 1, 热塑性的													
M 6	-	20	-	14	2,5	5,0	10	4	-30	80	6,1	22590.0106	
M 8	-	25	-	18	4,0	7,0	13	7	-30	80	13,0	22590.0108	
M10	-	32	-	22	5,0	9,0	17	10	-30	80	26,0	22590.0110	
M12	-	40	-	26	6,0	11,0	19	18	-30	80	40,0	22590.0112	
M16	-	50	-	32	7,0	13,5	24	20	-30	80	75,0	22590.0116	
M20	-	60	-	42	8,0	17,0	30	22	-30	80	150,0	22590.0120	
M24	-	60	-	45	9,5	19,0	36	25	-30	80	184,0	22590.0124	
衬垫 和轴承 含螺栓 钢 - 相片 2, 热处理钢													
M 6	60	20	57,0	14	2,5	-	10	10	-	250	29,0	22590.0410	
M 8	80	25	76,0	18	4,0	-	13	18	-	250	66,0	22590.0422	
M10	100	32	95,5	22	5,0	-	17	20	-	250	133,0	22590.0438	
M10	150	32	145,5	22	5,0	-	17	20	-	250	156,0	22590.0442	
M12	100	40	94,5	26	6,0	-	19	35	-	250	237,0	22590.0452	
M12	150	40	144,5	26	6,0	-	19	35	-	250	283,0	22590.0456	
M16	100	50	94,0	32	7,0	-	24	45	-	250	460,0	22590.0468	
M16	200	50	194,0	32	7,0	-	24	45	-	250	608,0	22590.0472	
M20	100	60	92,5	42	8,0	-	30	55	-	250	781,0	22590.0482	
M20	200	60	192,5	42	8,0	-	30	55	-	250	1015,0	22590.0488	
M24	100	60	91,0	45	9,5	-	36	65	-	250	994,0	22590.0495	
M24	200	60	191,0	45	9,5	-	36	65	-	250	1320,0	22590.0498	
衬垫 和轴承 含螺栓 钢 - 相片 2, 不锈钢													
M 6	60	20	57,0	14	2,5	-	10	8	-	250	29,0	22590.0610	
M 8	80	25	76,0	18	4,0	-	13	14	-	250	66,0	22590.0622	
M10	100	32	95,5	22	5,0	-	17	16	-	250	134,0	22590.0638	
M10	150	32	145,5	22	5,0	-	17	16	-	250	158,0	22590.0642	
M12	100	40	94,5	26	6,0	-	19	28	-	250	212,0	22590.0652	
M12	150	40	144,5	26	6,0	-	19	28	-	250	248,0	22590.0656	
M16	100	50	94,0	32	7,0	-	24	36	-	250	412,0	22590.0668	
M16	200	50	194,0	32	7,0	-	24	36	-	250	624,0	22590.0672	
M20	100	60	92,5	42	8,0	-	30	44	-	250	790,0	22590.0682	
M20	200	60	192,5	42	8,0	-	30	44	-	250	1031,0	22590.0688	
M24	100	60	91,0	45	9,5	-	36	52	-	250	1001,0	22590.0695	
M24	200	60	191,0	45	9,5	-	36	52	-	250	1323,0	22590.0698	
衬垫 得林塑料, 轴承 含螺栓 不锈钢 - 相片 2, 热塑性的													
M 6	60	20	57,0	14	2,5	-	10	4	-30	80	20,0	22590.0510	
M 8	80	25	76,0	18	4,0	-	13	7	-30	80	46,0	22590.0522	
M10	100	32	95,5	22	5,0	-	17	10	-30	80	93,0	22590.0538	
M10	150	32	145,5	22	5,0	-	17	10	-30	80	117,0	22590.0542	
M12	100	40	94,5	26	6,0	-	19	18	-30	80	139,0	22590.0552	
M12	150	40	144,5	26	6,0	-	19	18	-30	80	175,0	22590.0556	
M16	100	50	94,0	32	7,0	-	24	20	-30	80	300,0	22590.0568	
M16	200	50	194,0	32	7,0	-	24	20	-30	80	399,0	22590.0572	
M20	100	60	92,5	42	8,0	-	30	22	-30	80	523,0	22590.0582	
M20	200	60	192,5	42	8,0	-	30	22	-30	80	759,0	22590.0588	
M24	100	60	91,0	45	9,5	-	36	25	-30	80	735,0	22590.0595	
M24	200	60	191,0	45	9,5	-	36	25	-30	80	1041,0	22590.0598	

应用范例



遵守

符合 RoHS

符合指令 2011/65/EU 和指令 2015/863

不含 SVHC 物质

不含超过 0.1% w/w 的 SVHC 物质 - 截至 2024 年 6 月 27 日的 SVHC 清单.

不含 65 号提案物质

不包括 65 号提案物质

<https://www.P65Warnings.ca.gov/>

不含冲突矿物

„本产品不含来自刚果民主共和国或邻近国家的任何被指定为“冲突矿物”的物质，例如钽、锡、金或钨。