

推力脚座 · DIN 6311 和低型 EH 22560.



产品描述

结合型式 S 的 DIN 6332, EH 2254 使用。

材质

- 钢, 表面硬化, 染黑。弹簧保持器嵌入。
- 不锈钢

组装

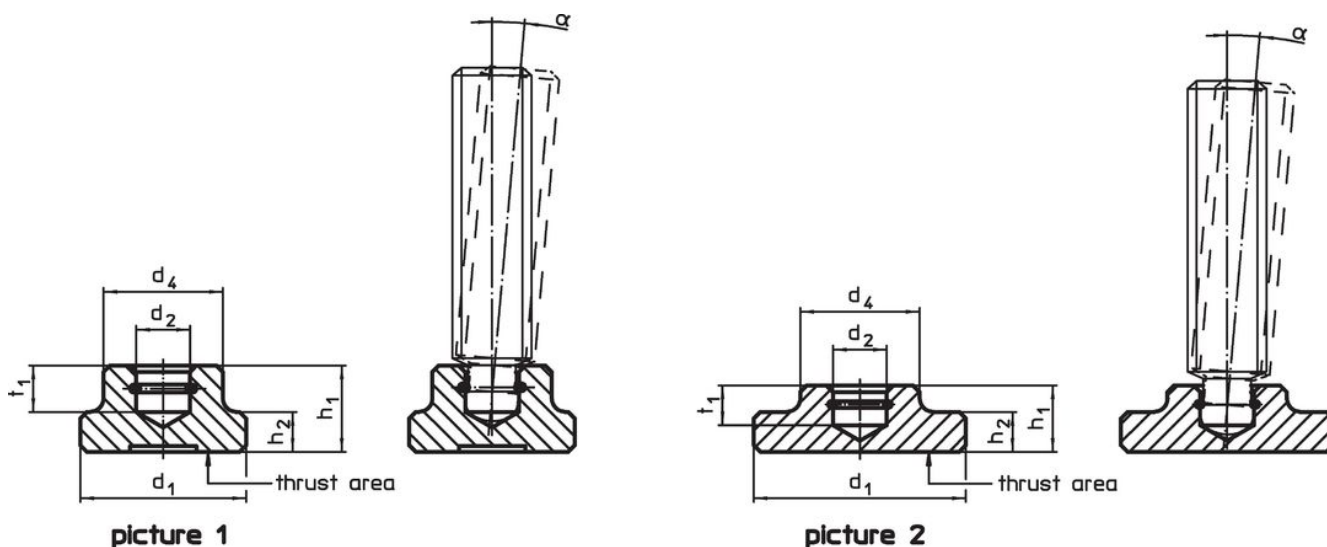
组立: 推力衬垫必须保持在底部开口侧的弹簧保持器内。挖地螺丝尽可能的在开口侧倾斜放入压配之。

更多信息

更多产品


- 脚座螺丝, DIN 6332 有推力点型式 S

图面

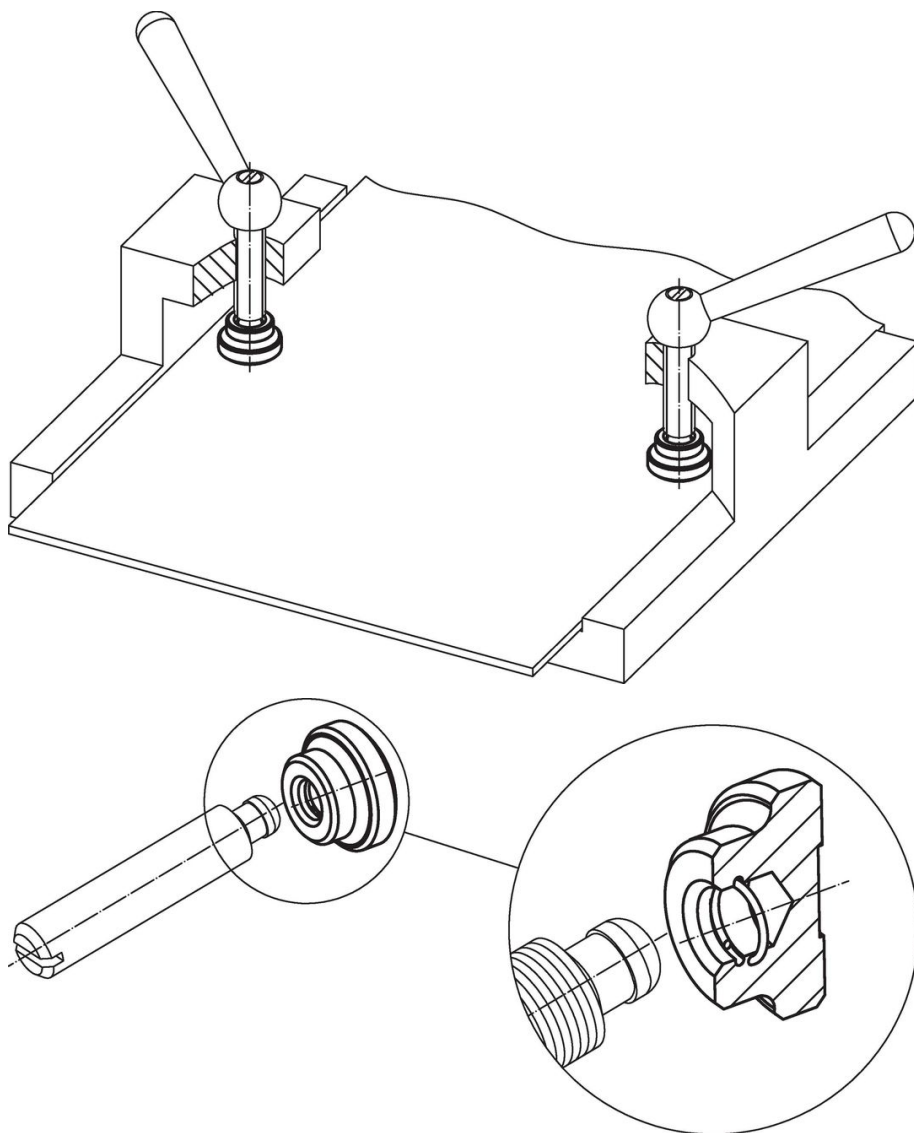


订单信息

| d ₁ | d ₂ H12 | d ₄ | 尺寸 h ₁ | h ₂ | t ₁ | 用于有推力点的止付螺丝 DIN 6332 [mm] | α min |  [g] | 品号 |
|--|-----------------------|----------------|----------------------|----------------|----------------|---------------------------------|----------|--|----------------------------|
| | | | | | | | | | [mm] |
| DIN 6311 含弹簧保持器, 型式 S – 相片 1, 钢 | | | | | | | | | |
| 12 | 4,6 | 10 | 7 | 2,5 | 4,0 | M 6 | 7° | 4,3 | 22560.0012 |
| 16 | 6,1 | 12 | 9 | 4,0 | 5,0 | M 8 | 4° | 9,4 | 22560.0016 |
| 20 | 8,1 | 15 | 11 | 5,0 | 6,0 | M10 | 3° | 18,0 | 22560.0020 |
| 25 | 8,1 | 18 | 13 | 6,0 | 7,0 | M12 | 3° | 33,0 | 22560.0025 |
| 32 | 12,1 | 22 | 15 | 7,0 | 7,5 | M16 | 5° | 58,0 | 22560.0032 |
| 40 | 15,6 | 28 | 16 | 9,0 | 8,0 | M20 | 4° | 105,0 | 22560.0040 |
| DIN 6311 含弹簧保持器, 型式 S – 相片 1, 不锈钢 | | | | | | | | | |
| 12 | 4,6 | 10 | 7 | 2,5 | 4,0 | M 6 | 7° | 4,3 | 22560.0112 |
| 16 | 6,1 | 12 | 9 | 4,0 | 5,0 | M 8 | 4° | 9,4 | 22560.0116 |
| 20 | 8,1 | 15 | 11 | 5,0 | 6,0 | M10 | 3° | 18,0 | 22560.0120 |
| 25 | 8,1 | 18 | 13 | 6,0 | 7,0 | M12 | 3° | 33,0 | 22560.0125 |
| 32 | 12,1 | 22 | 15 | 7,0 | 7,5 | M16 | 5° | 58,0 | 22560.0132 |
| 40 | 15,6 | 28 | 16 | 9,0 | 8,0 | M20 | 4° | 105,0 | 22560.0140 |
| 低型, 增加推力面积和弹簧定位器 – 相片 2, 钢 | | | | | | | | | |
| 25 | 6,1 | 12 | 8 | 4,0 | 4,5 | M 8 | 4° | 18,0 | 22560.0425 |
| 32 | 8,1 | 18 | 10 | 6,0 | 6,0 | M10/M12 | 3° | 43,0 | 22560.0432 |
| 40 | 12,1 | 22 | 12 | 7,0 | 7,0 | M16 | 5° | 75,0 | 22560.0440 |

| d ₁ | d ₂ H12 | 尺寸 | | | | t ₁ | 用于有推力点的止付螺丝 DIN 6332 [mm] | α min |  | 品号 |
|-----------------------------|-----------------------|----------------|----------------|----------------|------|----------------|---------------------------------|----------|---|----|
| | | d ₄ | h ₁ | h ₂ | [mm] | | | | | |
| 低型，增加推力面积和弹簧定位器 - 相片 2, 不锈钢 | | | | | | | | | | |
| 25 | 6,1 | 12 | 8 | 4,0 | 4,5 | M 8 | 4° | 18,0 | 22560.1425 | |
| 32 | 8,1 | 18 | 10 | 6,0 | 6,0 | M10/M12 | 3° | 43,0 | 22560.1432 | |
| 40 | 12,1 | 22 | 12 | 7,0 | 7,0 | M16 | 5° | 75,0 | 22560.1440 | |

应用范例



遵守

For detailed compliance information please select the desired article number.