

绞链 · stainless steel, elongated on both sides

25162.0130



产品描述

These hinges from stainless steel are characterised by the compact design. The hinge pins are form-fit pressed and are therefore suitable for use in case of strong vibrations and shocks. Appropriate friction pairings of the hinge components and the lubrication reduce abrasion to a minimum. The version with centering steps avoids lateral slipping under high loads and thus protects the fixing screws from unacceptable lateral forces.

材质

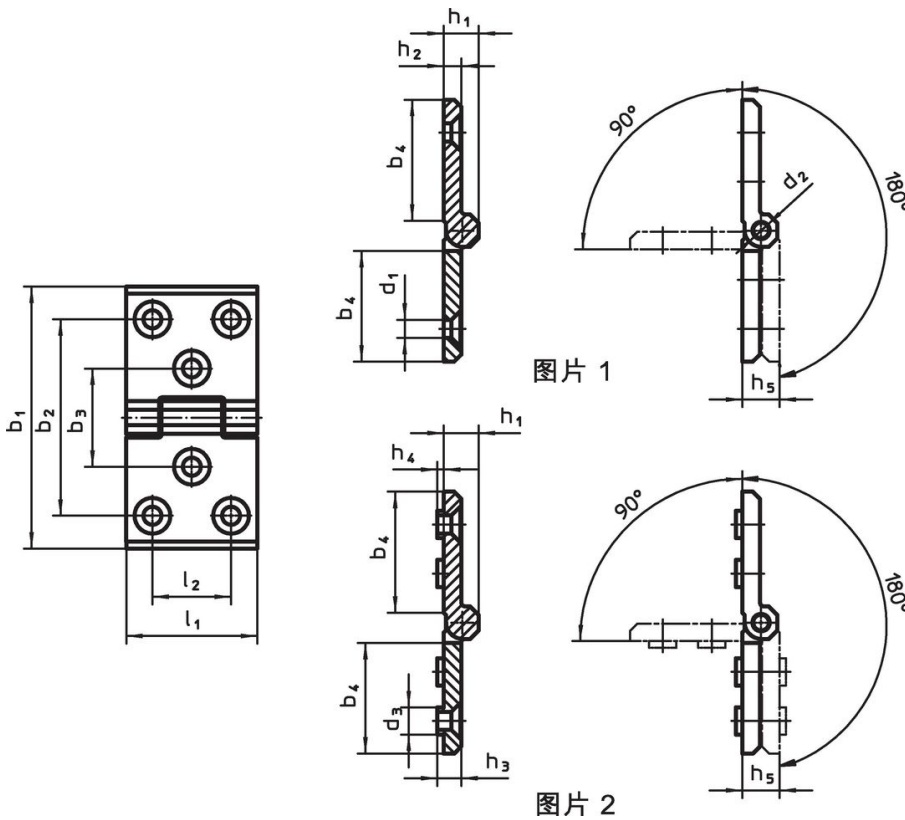
本体

- Stainless steel 1.4405, plastic-coated, black similar to RAL 9005, structure matt

轴

- 不锈钢

图面



订单信息

尺寸															[g]	品号
b ₁	l ₁	b ₂	b ₃	b ₄	d ₁	d ₂	d ₃	h ₁	h ₂	h ₃	h ₄	h ₅	l ₂			
with additional mounting hole and centring inserts on both sides – 相片 2, 黑色																
160	80	120	60	75	10,3	10	14,5	20	10	10,5	4	21	50	906	25162.0130	

遵守

符合 RoHS

符合指令 2011/65/EU 和指令 2015/863

不含 SVHC 物质

不含超过 0.1% w/w 的 SVHC 物质 - 截至 2024 年 6 月 27 日的 SVHC 清单.

不含 65 号提案物质

不包括 65 号提案物质

<https://www.P65Warnings.ca.gov/>

不含冲突矿物

„本产品不含来自刚果民主共和国或邻近国家的任何被指定为“冲突矿物”的物质，例如钽、锡、金或钨。