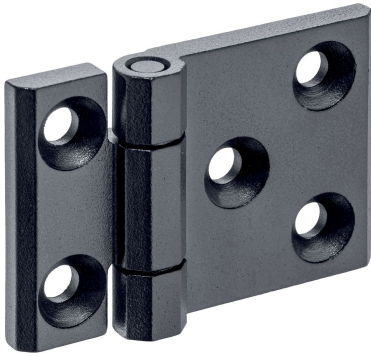


绞链 · stainless steel, elongated on one side

25162.0115



产品描述

These hinges from stainless steel are characterised by the compact design. The hinge pins are form-fit pressed and are therefore suitable for use in case of strong vibrations and shocks. Appropriate friction pairings of the hinge components and the lubrication reduce abrasion to a minimum. The version with centering steps avoids lateral slipping under high loads and thus protects the fixing screws from unacceptable lateral forces.

材质

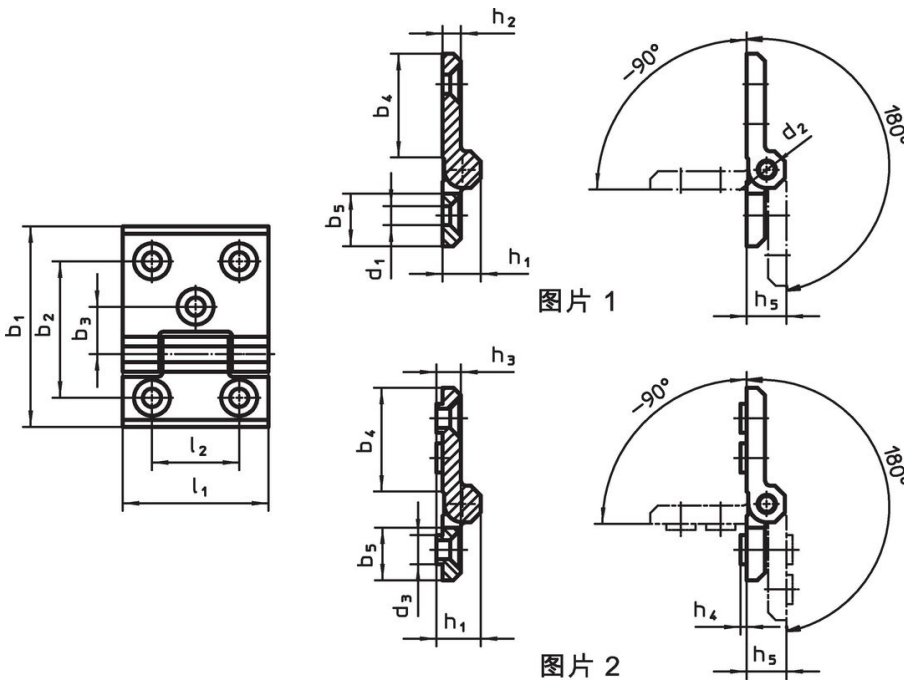
本体

- Stainless steel 1.4405, plastic-coated, black similar to RAL 9005, structure matt

轴

- 不锈钢

图面



订单信息

尺寸 [mm]															[g]	品号
b <sub>1</sub>	l <sub>1</sub>	b <sub>2</sub>	b <sub>3</sub>	b <sub>4</sub>	b <sub>5</sub>	d <sub>1</sub>	d <sub>2</sub>	d <sub>3</sub>	h <sub>1</sub>	h <sub>2</sub>	h <sub>3</sub>	h <sub>4</sub>	h <sub>5</sub>	l <sub>2</sub>		
one-sided with additional mounting hole – 相片 1, 黑色																
120	80	85	30	75	36	10,3	10	14,5	20	10	10,5	4	21	50	677	25162.0115

## 遵守

### 符合 RoHS

符合指令 2011/65/EU 和指令 2015/863

### 不含 SVHC 物质

不含超过 0.1% w/w 的 SVHC 物质 - 截至 2024 年 1 月 23 日的 SVHC 清单.

### 不含 65 号提案物质

不包括 65 号提案物质

<https://www.P65Warnings.ca.gov/>

### 不含冲突矿物

„本产品不含来自刚果民主共和国或邻近国家的任何被指定为“冲突矿物”的物质，例如钽、锡、金或钨。