

下压夹具 · swivelling, size 32 23310.0044



产品描述

藉由手动旋转夹爪，万用机械夹持元件可以快速且舒适的完成工件的更换以及夹持。

The clamps have the following advantages:

- Rapid manual clamping by means of clamping screw, adjustable clamping lever or adjustable eccentric quick clamp.
 - Easy and quick changing of the workpiece by swinging away the clamping claw to the left or right. The positioning ring 23310.0348 allows infinitely variable adjustment.
 - The use of positioning ring 23310.0348 allows a repeatable precise clamping. Here h_1 min. increases by at least 6 mm (stroke minus 6 mm).
 - Compact design, thus little space taken-up for clamping.
 - Easy adjustment even to large clamping heights due to the height adjusting cylinders.
- As the force applied by the operator is not known for the versions with levers, the clamping force is given in the tables as a guide value. The average value was determined by tests.

材质

夹具

- 表面硬化钢，表面硬化，染黑和研磨

组装

向下推力夹具可以用两种不同的方式被紧固：

1. 带有螺母的T形槽 DIN 508 (EH 23010.)
2. 在嵌装板上直接带有固定螺丝。例如一个夹具。

该圆柱必须接触整个表面。

更多信息

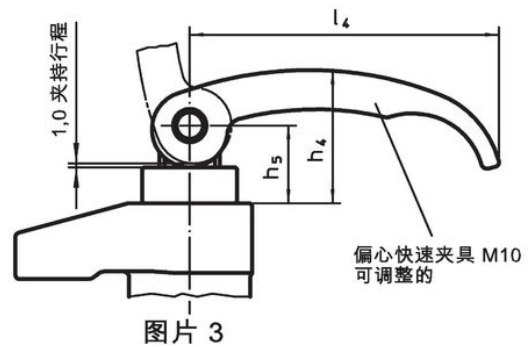
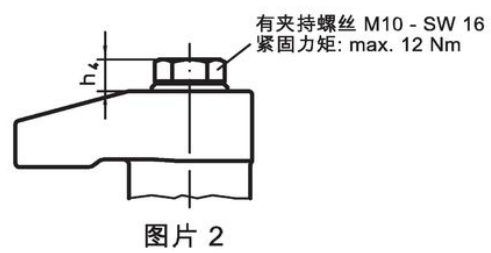
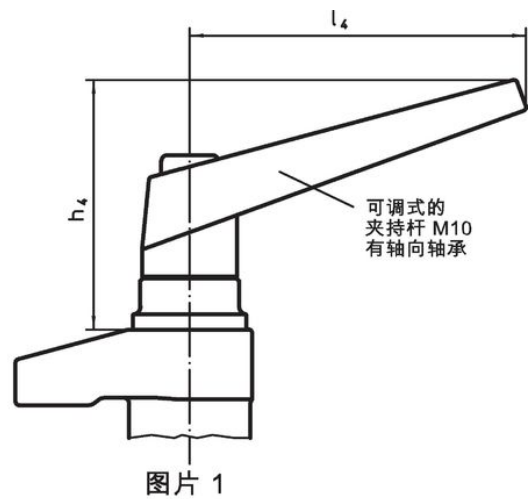
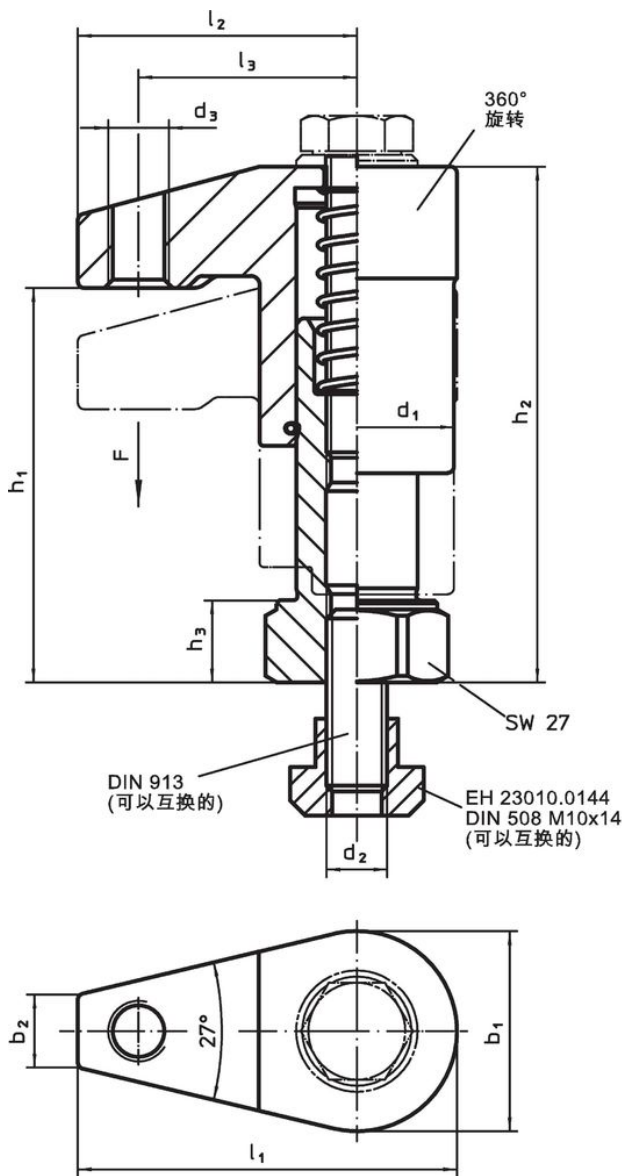
参考

The clamping height can be increased with height adjusting cylinders EH 23310. and reduced with the clamping inserts, e.g. EH 22730.

更多产品

- 定位环，用于下压夹具
- 高度调整圆柱

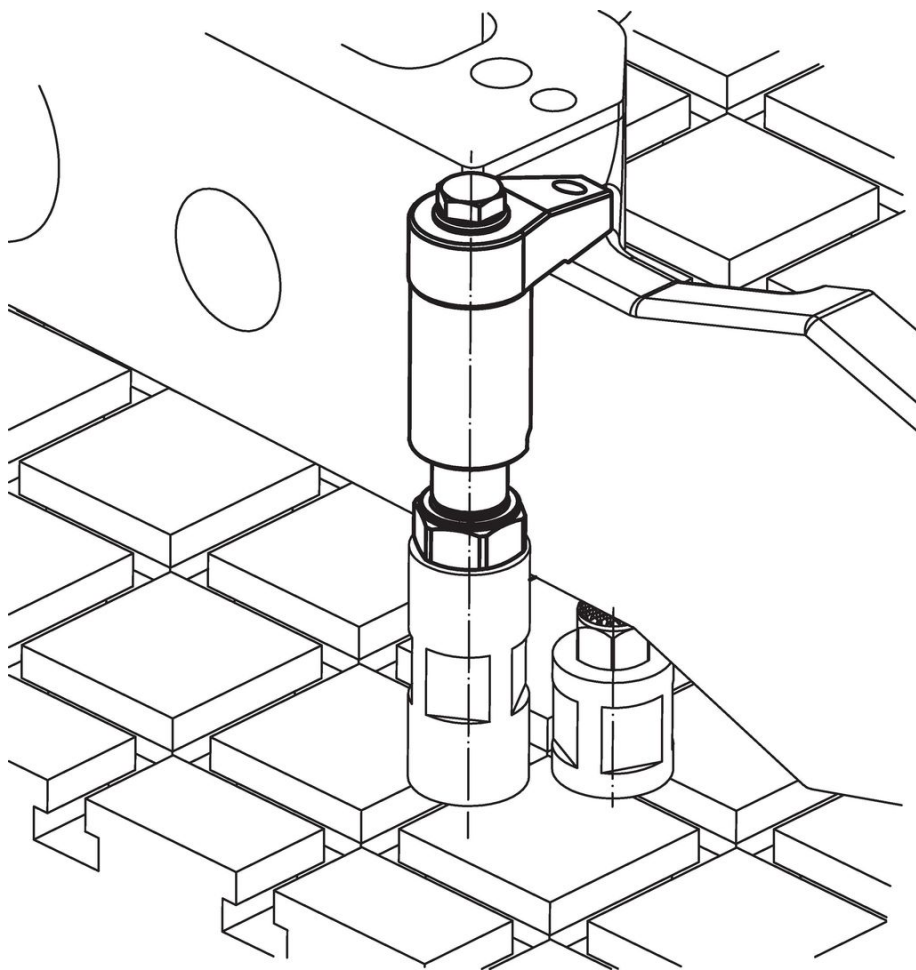
图面



订单信息

尺寸													行程 [mm]	夹持 力量 [kN]	起动 扭力 max. [Nm]	重量 [g]	品号
d ₁	b ₁	b ₂	d ₂	d ₃	h ₁	h ₂	h ₃	h ₄	l ₁	l ₂	l ₃	[mm]					
含夹持螺丝 - 相片 2																	
32	33	12	M10	M10	63 - 88	83 - 108	13	8,4	62,5	46	36	20	7,5	12	620	23310.0044	

应用范例



遵守

符合 RoHS

含铅 - 符合例外 6a / 6b / 6c

含有 >0.1% w/w 的 SVHC 物质

含铅 - SVHC [REACH] 清单截至 2024 年 1 月 23 日

包含 65 号提案的物质



铅暴露会导致癌症和生殖伤害

<https://www.P65Warnings.ca.gov/>

不含冲突矿物

本产品不含来自刚果民主共和国或邻近国家的任何被指定为“冲突矿物”的物质，例如钽、锡、金或钨。