

托座 · 用于定位柱

22045.0010



产品描述

Holders are used to mount spring plungers on the side. Ball-ended thrust screws, thrust screws, grub screws or similar can also be screwed into the thread. The mounting thread is positioned 90° to the mounting direction in the holder. The slotted holes allow precise positioning of the holder during installation.

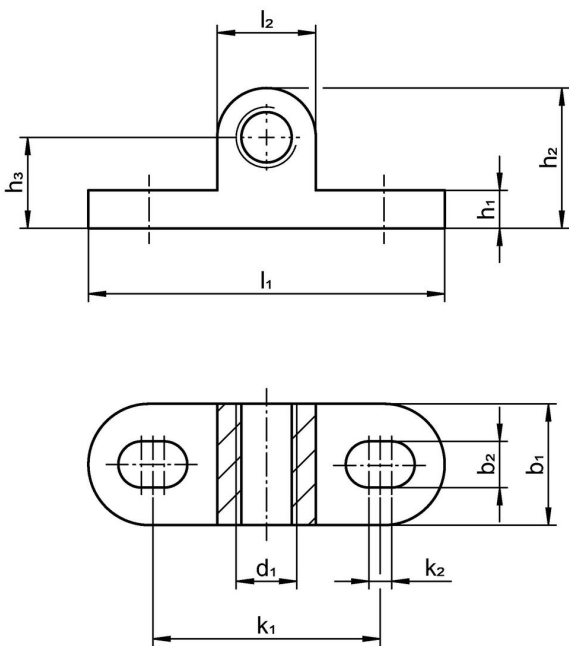
材质

- Stainless steel 1.4308, precision casting, matt blasted

组装

Slotted holes are provided for mounting the holder. This allows it to be positioned precisely in the longitudinal direction. The mounting thread, e.g. for a spring plungers, is continuous. This means that a lock nut can be used to secure it after adjustment.

图面



订单信息

尺寸										螺丝用		品号
d ₁	b ₁	b ₂	h ₁	h ₂	h ₃	k ₁	k ₂	l ₁	l ₂	[mm]	[g]	
[mm]										[mm]	[g]	
M10	20	8	6	23	15	38	4	60	16	M8	58	22045.0010

遵守

符合 RoHS

符合指令 2011/65/EU 和指令 2015/863

不含 SVHC 物质

不含超过 0.1% w/w 的 SVHC 物质 - 截至 2024 年 1 月 23 日的 SVHC 清单.

不含 65 号提案物质

不包括 65 号提案物质

<https://www.P65Warnings.ca.gov/>

不含冲突矿物

„本产品不含来自刚果民主共和国或邻近国家的任何被指定为“冲突矿物”的物质，例如钽、锡、金或钨。