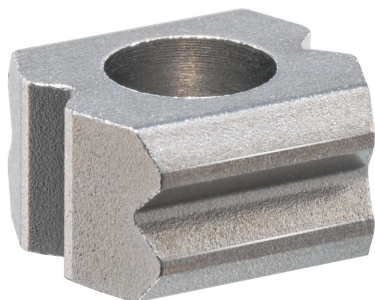


Locators · with bore hole, for spring plungers

22020.0140



产品描述

Locators can be used as a counterpart for all spring plungers with ball. They enable the locking, latching and positioning of the respective workpiece.

These locators with bore hole have 90° notches on all four side surfaces (2x horizontal and 2x vertical to the mounting direction). Thanks to the hardened material, the locators are low-wear and particularly suitable for applications with many repeat cycles.

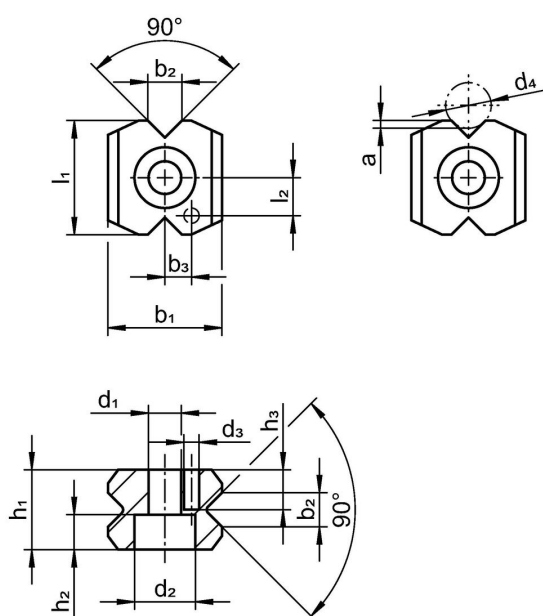
材质

- 烧结钢，表面硬化

组装

We recommend spring plungers with reinforced or heavy spring load. Please consider the insertion depth of the ball (dimension a) into the locator during installation.

图面



订单信息

尺寸													適合於螺栓 DIN 912		品号
b ₂ ±0,1	d ₁	d ₂	d ₃ H12	d ₄	a	b ₁	b ₃ ±0,05	h ₁	h ₂	l ₁	l ₂ ±0,05	[mm]			
4,5	4,3	8	2	6,0 6,5	1	15	3,5	10,5	4,6	15	5	M4	11	22020.0140	

遵守

符合 RoHS

符合指令 2011/65/EU 和指令 2015/863

不含 SVHC 物质

不含超过 0.1% w/w 的 SVHC 物质 - 截至 2024 年 1 月 23 日的 SVHC 清单。

不含 65 号提案物质

不包括 65 号提案物质

<https://www.P65Warnings.ca.gov/>

不含冲突矿物

„本产品不含来自刚果民主共和国或邻近国家的任何被指定为“冲突矿物”的物质，例如钽、锡、金或钨。