

Zylindergriffe • drehbar EH 24530.



Produktbeschreibung

Werkstoff

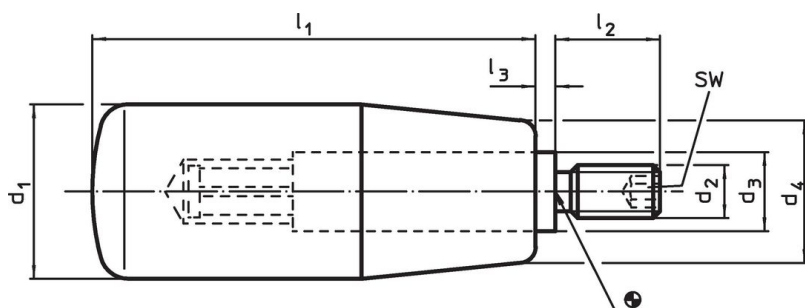
Achsteil

- Stahl, galvanisch verzinkt
- Rostfreier Stahl 1.4305

Zylindergriff

- Thermoplast PA, schwarz, matt
- Duroplast PF 31, schwarz

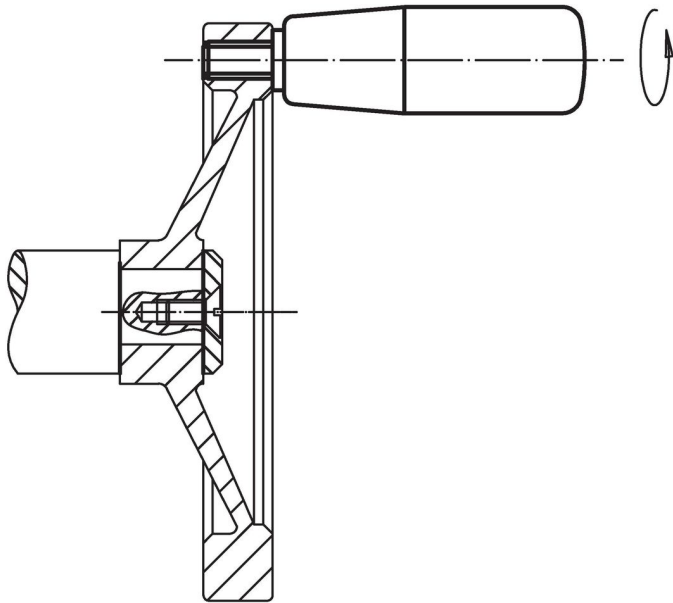
Maßzeichnung



Bestellinformationen

| Abmessungen | | | | | | | SW | max. | | Art.-Nr. |
|------------------------------------|----------------|----------------|----------------|----------------|----------------|----------------|------|------|-----|------------|
| d ₁ | d ₂ | d ₃ | d ₄ | l ₁ | l ₂ | l ₃ | [mm] | [°C] | [g] | |
| Thermoplast, Stahl | | | | | | | | | | |
| 14 | M 6 | 8 | 11 | 28 | 10 | 0,5 | 3 | 80 | 13 | 24530.0008 |
| Duroplast, Stahl | | | | | | | | | | |
| 18 | M 6 | 10 | 15 | 40 | 12 | 2,5 | 3 | 110 | 29 | 24530.0010 |
| 21 | M 6 | 10 | 17 | 50 | 13 | 2,5 | 3 | 110 | 42 | 24530.0020 |
| 21 | M 8 | 10 | 17 | 50 | 13 | 2,5 | 4 | 110 | 43 | 24530.0021 |
| 22 | M 6 | 10 | 18 | 56 | 13 | 2,5 | 3 | 110 | 47 | 24530.0030 |
| 22 | M 8 | 10 | 18 | 56 | 13 | 2,5 | 4 | 110 | 48 | 24530.0031 |
| 23 | M 8 | 13 | 19 | 65 | 14 | 2,5 | 4 | 110 | 79 | 24530.0040 |
| 23 | M10 | 13 | 19 | 65 | 14 | 2,5 | 5 | 110 | 80 | 24530.0041 |
| 26 | M 8 | 13 | 21 | 80 | 16 | 2,5 | 4 | 110 | 107 | 24530.0050 |
| 26 | M10 | 13 | 21 | 80 | 16 | 2,5 | 5 | 110 | 100 | 24530.0051 |
| 28 | M10 | 13 | 22 | 90 | 16 | 2,5 | 5 | 110 | 126 | 24530.0060 |
| 31 | M12 | 14 | 25 | 102 | 20 | 2,5 | 6 | 110 | 177 | 24530.0071 |
| Duroplast, Rostfreier Stahl | | | | | | | | | | |
| 18 | M 6 | 10 | 15 | 40 | 12 | 2,5 | 3 | 110 | 29 | 24530.0210 |
| 21 | M 6 | 10 | 17 | 50 | 13 | 2,5 | 3 | 110 | 42 | 24530.0220 |
| 23 | M 8 | 13 | 19 | 65 | 14 | 2,5 | 4 | 110 | 79 | 24530.0240 |
| 26 | M10 | 13 | 21 | 80 | 16 | 2,5 | 5 | 110 | 100 | 24530.0251 |
| 28 | M10 | 13 | 22 | 90 | 16 | 2,5 | 5 | 110 | 126 | 24530.0260 |
| 31 | M12 | 14 | 25 | 102 | 20 | 2,5 | 6 | 110 | 177 | 24530.0271 |

Anwendungsbeispiel



Compliance

Für detaillierte Compliance Informationen wählen Sie bitte die gewünschte Artikelnummer.