

Verstellbare Klemmhebel • mit Schraube

EH 24400.



Produktbeschreibung

Verstellbare Klemmhebel finden vielseitige Anwendungsmöglichkeiten, wenn der Einsatzbereich beengt oder eine bestimmte Hebelposition erforderlich ist.

Werkstoff

Hebel

- Zink-Druckguss, kunststoffbeschichtet, orange ähnlich RAL 2004, strukturmatt
- Zink-Druckguss, kunststoffbeschichtet, silber ähnlich RAL 9006, strukturmatt
- Zink-Druckguss, kunststoffbeschichtet, schwarz ähnlich RAL 9005, strukturmatt

Innenteile

- Stahl, brüniert, Güte 5.8

Schraube

- Stahl, brüniert, Güte 5.8

Bedienung

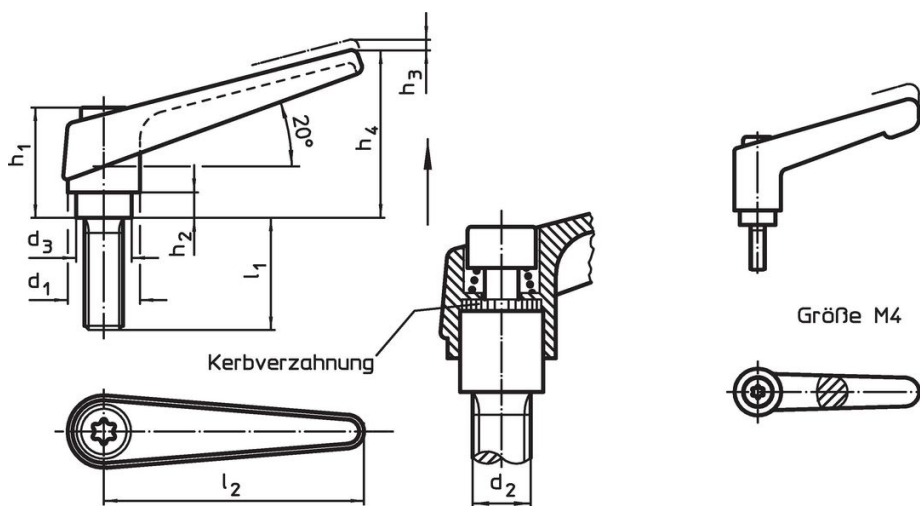
Durch Anheben des Hebels wird die Verzahnung freigegeben. Der Hebel wird über die Verzahnung positioniert. Nach dem Loslassen rastet die Verzahnung ein.

Weiterführende Informationen

Hinweise


Das Schraubenteil kann ausgetauscht werden.


Maßzeichnung



Bestellinformationen

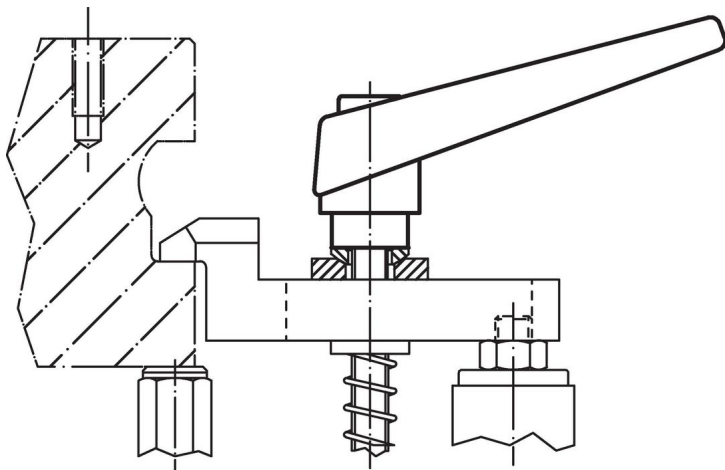
Abmessungen										[g]	Art.-Nr.
d_1	d_2	l_1	d_3	h_1	h_2	h_3	h_4	l_2	[mm]		
orange											
13	M 4	12	10,0	24,5	4,0	3,5	30,5	30	27	24400.0010	
13	M 4	16	10,0	24,5	4,0	3,5	30,5	30	27	24400.0014	
13	M 4	20	10,0	24,5	4,0	3,5	30,5	30	28	24400.0018	
13	M 4	25	10,0	24,5	4,0	3,5	30,5	30	28	24400.0022	
13	M 4	32	10,0	24,5	4,0	3,5	30,5	30	28	24400.0026	
14	M 5	12	10,0	24,5	4,0	3,0	35,0	45	36	24400.0041	
14	M 5	16	10,0	24,5	4,0	3,0	35,0	45	36	24400.0051	
14	M 5	20	10,0	24,5	4,0	3,0	35,0	45	37	24400.0061	
14	M 5	25	10,0	24,5	4,0	3,0	35,0	45	38	24400.0071	
14	M 5	32	10,0	24,5	4,0	3,0	35,0	45	38	24400.0081	
14	M 5	40	10,0	24,5	4,0	3,0	35,0	45	39	24400.0086	
14	M 6	12	10,0	24,5	4,0	3,0	35,0	45	37	24400.0131	
14	M 6	16	10,0	24,5	4,0	3,0	35,0	45	37	24400.0141	
14	M 6	20	10,0	24,5	4,0	3,0	35,0	45	39	24400.0151	
14	M 6	25	10,0	24,5	4,0	3,0	35,0	45	41	24400.0161	
14	M 6	32	10,0	24,5	4,0	3,0	35,0	45	40	24400.0171	
14	M 6	40	10,0	24,5	4,0	3,0	35,0	45	41	24400.0181	
14	M 6	50	10,0	24,5	4,0	3,0	35,0	45	43	24400.0191	

Abmessungen										Art.-Nr.
d ₁	d ₂	l ₁	d ₃	h ₁	h ₂	h ₃	h ₄	l ₂		
[mm]										[g]
18	M 6	16	13,5	31,0	6,5	3,0	45,0	62	72	24400.0221
18	M 6	20	13,5	31,0	6,5	3,0	45,0	62	72	24400.0231
18	M 6	25	13,5	31,0	6,5	3,0	45,0	62	74	24400.0241
18	M 6	32	13,5	31,0	6,5	3,0	45,0	62	74	24400.0251
18	M 6	40	13,5	31,0	6,5	3,0	45,0	62	76	24400.0261
18	M 6	50	13,5	31,0	6,5	3,0	45,0	62	76	24400.0271
18	M 6	63	13,5	31,0	6,5	3,0	45,0	62	80	24400.0281
18	M 8	16	13,5	31,0	6,5	3,0	45,0	62	74	24400.0331
18	M 8	20	13,5	31,0	6,5	3,0	45,0	62	76	24400.0341
18	M 8	25	13,5	31,0	6,5	3,0	45,0	62	86	24400.0351
18	M 8	32	13,5	31,0	6,5	3,0	45,0	62	86	24400.0361
18	M 8	40	13,5	31,0	6,5	3,0	45,0	62	88	24400.0371
18	M 8	50	13,5	31,0	6,5	3,0	45,0	62	89	24400.0381
18	M 8	63	13,5	31,0	6,5	3,0	45,0	62	96	24400.0391
22	M10	20	16,0	36,0	8,0	3,5	52,0	74	128	24400.0441
22	M10	25	16,0	36,0	8,0	3,5	52,0	74	130	24400.0451
22	M10	32	16,0	36,0	8,0	3,5	52,0	74	134	24400.0461
22	M10	40	16,0	36,0	8,0	3,5	52,0	74	138	24400.0471
22	M10	50	16,0	36,0	8,0	3,5	52,0	74	143	24400.0481
22	M10	63	16,0	36,0	8,0	3,5	52,0	74	152	24400.0486
22	M10	80	16,0	36,0	8,0	3,5	52,0	74	166	24400.0491
25	M12	25	19,0	43,0	11,0	4,0	63,0	89	205	24400.0541
25	M12	32	19,0	43,0	11,0	4,0	63,0	89	209	24400.0551
25	M12	40	19,0	43,0	11,0	4,0	63,0	89	215	24400.0561
25	M12	50	19,0	43,0	11,0	4,0	63,0	89	222	24400.0571
25	M12	63	19,0	43,0	11,0	4,0	63,0	89	232	24400.0581
25	M12	80	19,0	43,0	11,0	4,0	63,0	89	244	24400.0591
30	M16	32	23,0	50,5	12,0	5,0	76,0	108	348	24400.0641
30	M16	40	23,0	50,5	12,0	5,0	76,0	108	357	24400.0651
30	M16	50	23,0	50,5	12,0	5,0	76,0	108	370	24400.0661
30	M16	63	23,0	50,5	12,0	5,0	76,0	108	386	24400.0671
30	M16	80	23,0	50,5	12,0	5,0	76,0	108	407	24400.0681
silber										
14	M 5	12	10,0	24,5	4,0	3,0	35,0	45	36	24400.0043
14	M 5	16	10,0	24,5	4,0	3,0	35,0	45	36	24400.0053
14	M 5	20	10,0	24,5	4,0	3,0	35,0	45	37	24400.0063
14	M 5	25	10,0	24,5	4,0	3,0	35,0	45	38	24400.0073
14	M 5	32	10,0	24,5	4,0	3,0	35,0	45	38	24400.0083
14	M 5	40	10,0	24,5	4,0	3,0	35,0	45	39	24400.0088
14	M 6	12	10,0	24,5	4,0	3,0	35,0	45	37	24400.0133
14	M 6	16	10,0	24,5	4,0	3,0	35,0	45	37	24400.0143
14	M 6	20	10,0	24,5	4,0	3,0	35,0	45	39	24400.0153
14	M 6	25	10,0	24,5	4,0	3,0	35,0	45	41	24400.0163
14	M 6	32	10,0	24,5	4,0	3,0	35,0	45	40	24400.0173
14	M 6	40	10,0	24,5	4,0	3,0	35,0	45	41	24400.0183
14	M 6	50	10,0	24,5	4,0	3,0	35,0	45	43	24400.0193
18	M 6	16	13,5	31,0	6,5	3,0	45,0	62	72	24400.0223
18	M 6	20	13,5	31,0	6,5	3,0	45,0	62	72	24400.0233
18	M 6	25	13,5	31,0	6,5	3,0	45,0	62	74	24400.0243
18	M 6	32	13,5	31,0	6,5	3,0	45,0	62	74	24400.0253
18	M 6	40	13,5	31,0	6,5	3,0	45,0	62	76	24400.0263
18	M 6	50	13,5	31,0	6,5	3,0	45,0	62	76	24400.0273
18	M 6	63	13,5	31,0	6,5	3,0	45,0	62	80	24400.0283
18	M 8	16	13,5	31,0	6,5	3,0	45,0	62	74	24400.0333
18	M 8	20	13,5	31,0	6,5	3,0	45,0	62	76	24400.0343
18	M 8	25	13,5	31,0	6,5	3,0	45,0	62	86	24400.0353
18	M 8	32	13,5	31,0	6,5	3,0	45,0	62	86	24400.0363
18	M 8	40	13,5	31,0	6,5	3,0	45,0	62	88	24400.0373
18	M 8	50	13,5	31,0	6,5	3,0	45,0	62	89	24400.0383
18	M 8	63	13,5	31,0	6,5	3,0	45,0	62	96	24400.0393
22	M10	20	16,0	36,0	8,0	3,5	52,0	74	128	24400.0443
22	M10	25	16,0	36,0	8,0	3,5	52,0	74	130	24400.0453

Abmessungen										Art.-Nr.
d ₁	d ₂	l ₁	d ₃	h ₁	h ₂	h ₃	h ₄	l ₂		
[mm]										[g]
22	M10	32	16,0	36,0	8,0	3,5	52,0	74	134	24400.0463
22	M10	40	16,0	36,0	8,0	3,5	52,0	74	138	24400.0473
22	M10	50	16,0	36,0	8,0	3,5	52,0	74	143	24400.0483
22	M10	63	16,0	36,0	8,0	3,5	52,0	74	152	24400.0488
22	M10	80	16,0	36,0	8,0	3,5	52,0	74	166	24400.0493
25	M12	25	19,0	43,0	11,0	4,0	63,0	89	205	24400.0543
25	M12	32	19,0	43,0	11,0	4,0	63,0	89	209	24400.0553
25	M12	40	19,0	43,0	11,0	4,0	63,0	89	215	24400.0563
25	M12	50	19,0	43,0	11,0	4,0	63,0	89	222	24400.0573
25	M12	63	19,0	43,0	11,0	4,0	63,0	89	232	24400.0583
25	M12	80	19,0	43,0	11,0	4,0	63,0	89	244	24400.0593
30	M16	32	23,0	50,5	12,0	5,0	76,0	108	348	24400.0643
30	M16	40	23,0	50,5	12,0	5,0	76,0	108	357	24400.0653
30	M16	50	23,0	50,5	12,0	5,0	76,0	108	370	24400.0663
30	M16	63	23,0	50,5	12,0	5,0	76,0	108	386	24400.0673
30	M16	80	23,0	50,5	12,0	5,0	76,0	108	407	24400.0683
schwarz										
13	M 4	12	10,0	24,5	4,0	3,5	30,5	30	27	24400.0012
13	M 4	16	10,0	24,5	4,0	3,5	30,5	30	27	24400.0016
13	M 4	20	10,0	24,5	4,0	3,5	30,5	30	28	24400.0020
13	M 4	25	10,0	24,5	4,0	3,5	30,5	30	28	24400.0024
13	M 4	32	10,0	24,5	4,0	3,5	30,5	30	28	24400.0028
14	M 5	12	10,0	24,5	4,0	3,0	35,0	45	36	24400.0044
14	M 5	16	10,0	24,5	4,0	3,0	35,0	45	36	24400.0054
14	M 5	20	10,0	24,5	4,0	3,0	35,0	45	37	24400.0064
14	M 5	25	10,0	24,5	4,0	3,0	35,0	45	38	24400.0074
14	M 5	32	10,0	24,5	4,0	3,0	35,0	45	38	24400.0084
14	M 5	40	10,0	24,5	4,0	3,0	35,0	45	39	24400.0089
14	M 6	12	10,0	24,5	4,0	3,0	35,0	45	37	24400.0134
14	M 6	16	10,0	24,5	4,0	3,0	35,0	45	37	24400.0144
14	M 6	20	10,0	24,5	4,0	3,0	35,0	45	39	24400.0154
14	M 6	25	10,0	24,5	4,0	3,0	35,0	45	41	24400.0164
14	M 6	32	10,0	24,5	4,0	3,0	35,0	45	40	24400.0174
14	M 6	40	10,0	24,5	4,0	3,0	35,0	45	41	24400.0184
14	M 6	50	10,0	24,5	4,0	3,0	35,0	45	43	24400.0194
18	M 6	16	13,5	31,0	6,5	3,0	45,0	62	72	24400.0224
18	M 6	20	13,5	31,0	6,5	3,0	45,0	62	72	24400.0234
18	M 6	25	13,5	31,0	6,5	3,0	45,0	62	74	24400.0244
18	M 6	32	13,5	31,0	6,5	3,0	45,0	62	74	24400.0254
18	M 6	40	13,5	31,0	6,5	3,0	45,0	62	76	24400.0264
18	M 6	50	13,5	31,0	6,5	3,0	45,0	62	76	24400.0274
18	M 6	63	13,5	31,0	6,5	3,0	45,0	62	80	24400.0284
18	M 8	16	13,5	31,0	6,5	3,0	45,0	62	74	24400.0334
18	M 8	20	13,5	31,0	6,5	3,0	45,0	62	76	24400.0344
18	M 8	25	13,5	31,0	6,5	3,0	45,0	62	86	24400.0354
18	M 8	32	13,5	31,0	6,5	3,0	45,0	62	86	24400.0364
18	M 8	40	13,5	31,0	6,5	3,0	45,0	62	88	24400.0374
18	M 8	50	13,5	31,0	6,5	3,0	45,0	62	89	24400.0384
18	M 8	63	13,5	31,0	6,5	3,0	45,0	62	96	24400.0394
22	M10	20	16,0	36,0	8,0	3,5	52,0	74	128	24400.0444
22	M10	25	16,0	36,0	8,0	3,5	52,0	74	130	24400.0454
22	M10	32	16,0	36,0	8,0	3,5	52,0	74	134	24400.0464
22	M10	40	16,0	36,0	8,0	3,5	52,0	74	138	24400.0474
22	M10	50	16,0	36,0	8,0	3,5	52,0	74	143	24400.0484
22	M10	63	16,0	36,0	8,0	3,5	52,0	74	152	24400.0489
22	M10	80	16,0	36,0	8,0	3,5	52,0	74	166	24400.0494
25	M12	25	19,0	43,0	11,0	4,0	63,0	89	205	24400.0544
25	M12	32	19,0	43,0	11,0	4,0	63,0	89	209	24400.0554
25	M12	40	19,0	43,0	11,0	4,0	63,0	89	215	24400.0564
25	M12	50	19,0	43,0	11,0	4,0	63,0	89	222	24400.0574
25	M12	63	19,0	43,0	11,0	4,0	63,0	89	232	24400.0584
25	M12	80	19,0	43,0	11,0	4,0	63,0	89	244	24400.0594

d ₁	d ₂	l ₁	d ₃	Abmessungen					l ₂	[g]	Art.-Nr.
				h ₁	h ₂	h ₃	h ₄	[mm]			
30	M16	32	23,0	50,5	12,0	5,0	76,0	108	348	24400.0644	
30	M16	40	23,0	50,5	12,0	5,0	76,0	108	357	24400.0654	
30	M16	50	23,0	50,5	12,0	5,0	76,0	108	370	24400.0664	
30	M16	63	23,0	50,5	12,0	5,0	76,0	108	386	24400.0674	
30	M16	80	23,0	50,5	12,0	5,0	76,0	108	407	24400.0684	

Anwendungsbeispiel



Compliance

RoHS-konform

Enthält Blei – Konform gemäß den Ausnahmen 6a / 6b / 6c.

Enthält SVHC-Stoffe >0,1% w/w

Enthält Blei – SVHC Liste [REACH] Stand 27.06.2024.

Enthält Proposition 65 Stoffe



Blei kann bei Exposition zu Krebs und Fortpflanzungsschäden führen.

<https://www.P65Warnings.ca.gov/>

Frei von Konfliktmineralien

Dieses Produkt enthält keine als "Konfliktmineralien" bezeichneten Stoffe wie Tantal, Zinn, Gold oder Wolfram aus der demokratischen Republik Kongo oder angrenzender Länder.