

## Verstellbare Klemmhebel · Innenteile aus rostfreiem Stahl, mit Schraube

EH 24390.



### Produktbeschreibung

Verstellbare Klemmhebel mit rostfreien Innenteilen. Vielseitige Anwendungs- und Einsatzmöglichkeiten, z. B. in der Medizintechnik, chemischen Industrie u.a..

### Werkstoff

#### Hebel

- Zink-Druckguss, kunststoffbeschichtet, orange ähnlich RAL 2004, strukturmatt
- Zink-Druckguss, kunststoffbeschichtet, schwarz ähnlich RAL 9005, strukturmatt

#### Innenteile

- Rostfreier Stahl 1.4305

#### Schraube

- Rostfreier Stahl 1.4305

### Bedienung

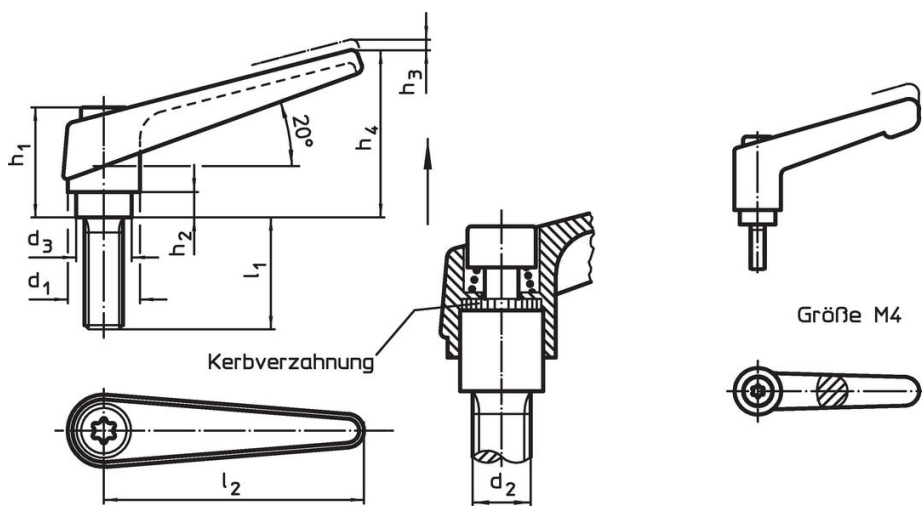
**Durch Anheben des Hebels** wird die Verzahnung freigegeben. Der Hebel wird über die Verzahnung positioniert. Nach dem Loslassen rastet die Verzahnung ein.

### Weiterführende Informationen

#### Hinweise


Das Schraubenteil kann ausgetauscht werden.

### Maßzeichnung



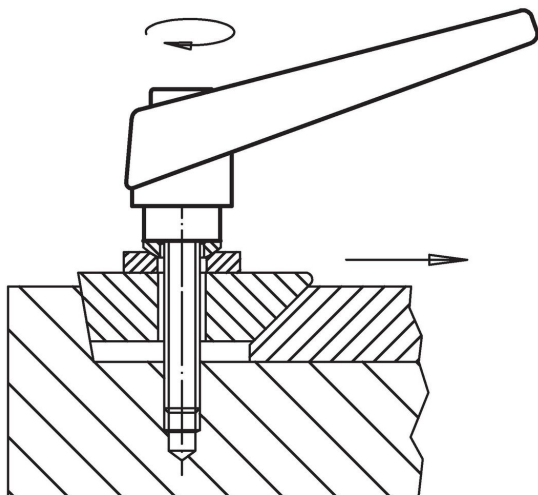
### Bestellinformationen

d <sub>1</sub>	d <sub>2</sub>	l <sub>1</sub>	d <sub>3</sub>	Abmessungen					l <sub>2</sub>	[g]	Art.-Nr.
				h <sub>1</sub>	h <sub>2</sub>	h <sub>3</sub>	h <sub>4</sub>	[mm]			
<b>orange</b>											
13	M 4	12	10,0	24,5	4,0	3,5	30,5	30	27	24390.0010	
13	M 4	16	10,0	24,5	4,0	3,5	30,5	30	30	24390.0014	
13	M 4	20	10,0	24,5	4,0	3,5	30,5	30	28	24390.0018	
13	M 4	25	10,0	24,5	4,0	3,5	30,5	30	28	24390.0022	
13	M 4	32	10,0	24,5	4,0	3,5	30,5	30	29	24390.0026	
14	M 5	12	10,0	24,5	4,0	3,0	35,0	45	36	24390.0041	
14	M 5	16	10,0	24,5	4,0	3,0	35,0	45	36	24390.0051	
14	M 5	20	10,0	24,5	4,0	3,0	35,0	45	37	24390.0061	
14	M 5	25	10,0	24,5	4,0	3,0	35,0	45	38	24390.0071	
14	M 5	32	10,0	24,5	4,0	3,0	35,0	45	38	24390.0081	
14	M 5	40	10,0	24,5	4,0	3,0	35,0	45	39	24390.0086	
14	M 6	12	10,0	24,5	4,0	3,0	35,0	45	37	24390.0131	
14	M 6	16	10,0	24,5	4,0	3,0	35,0	45	37	24390.0141	
14	M 6	20	10,0	24,5	4,0	3,0	35,0	45	38	24390.0151	
14	M 6	25	10,0	24,5	4,0	3,0	35,0	45	39	24390.0161	
14	M 6	32	10,0	24,5	4,0	3,0	35,0	45	40	24390.0171	
14	M 6	40	10,0	24,5	4,0	3,0	35,0	45	41	24390.0181	
14	M 6	50	10,0	24,5	4,0	3,0	35,0	45	43	24390.0191	
18	M 8	16	13,5	31,0	6,5	3,0	45,0	62	74	24390.0331	

d <sub>1</sub>	d <sub>2</sub>	l <sub>1</sub>	Abmessungen					l <sub>2</sub>		Art.-Nr.
			d <sub>3</sub>	h <sub>1</sub> [mm]	h <sub>2</sub>	h <sub>3</sub>	h <sub>4</sub>			
18	M 8	20	13,5	31,0	6,5	3,0	45,0	62	76	24390.0341
18	M 8	25	13,5	31,0	6,5	3,0	45,0	62	77	24390.0351
18	M 8	32	13,5	31,0	6,5	3,0	45,0	62	79	24390.0361
18	M 8	40	13,5	31,0	6,5	3,0	45,0	62	81	24390.0371
18	M 8	50	13,5	31,0	6,5	3,0	45,0	62	84	24390.0381
18	M 8	63	13,5	31,0	6,5	3,0	45,0	62	89	24390.0391
22	M10	20	16,0	36,0	8,0	3,5	52,0	74	128	24390.0441
22	M10	25	16,0	36,0	8,0	3,5	52,0	74	130	24390.0451
22	M10	32	16,0	36,0	8,0	3,5	52,0	74	134	24390.0461
22	M10	40	16,0	36,0	8,0	3,5	52,0	74	138	24390.0471
22	M10	50	16,0	36,0	8,0	3,5	52,0	74	143	24390.0481
22	M10	63	16,0	36,0	8,0	3,5	52,0	74	148	24390.0486
22	M10	80	16,0	36,0	8,0	3,5	52,0	74	157	24390.0491
25	M12	25	19,0	43,0	11,0	4,0	63,0	89	205	24390.0541
25	M12	32	19,0	43,0	11,0	4,0	63,0	89	209	24390.0551
25	M12	40	19,0	43,0	11,0	4,0	63,0	89	215	24390.0561
25	M12	50	19,0	43,0	11,0	4,0	63,0	89	222	24390.0571
25	M12	63	19,0	43,0	11,0	4,0	63,0	89	232	24390.0581
25	M12	80	19,0	43,0	11,0	4,0	63,0	89	240	24390.0591
30	M16	32	23,0	50,5	12,0	5,0	76,0	108	348	24390.0641
30	M16	40	23,0	50,5	12,0	5,0	76,0	108	357	24390.0651
30	M16	50	23,0	50,5	12,0	5,0	76,0	108	370	24390.0661
30	M16	63	23,0	50,5	12,0	5,0	76,0	108	386	24390.0671
30	M16	80	23,0	50,5	12,0	5,0	76,0	108	407	24390.0681
<b>schwarz</b>										
13	M 4	12	10,0	24,5	4,0	3,5	30,5	30	27	24390.0012
13	M 4	16	10,0	24,5	4,0	3,5	30,5	30	30	24390.0016
13	M 4	20	10,0	24,5	4,0	3,5	30,5	30	28	24390.0020
13	M 4	25	10,0	24,5	4,0	3,5	30,5	30	28	24390.0024
13	M 4	32	10,0	24,5	4,0	3,5	30,5	30	29	24390.0028
14	M 5	12	10,0	24,5	4,0	3,0	35,0	45	36	24390.0044
14	M 5	16	10,0	24,5	4,0	3,0	35,0	45	36	24390.0054
14	M 5	20	10,0	24,5	4,0	3,0	35,0	45	37	24390.0064
14	M 5	25	10,0	24,5	4,0	3,0	35,0	45	38	24390.0074
14	M 5	32	10,0	24,5	4,0	3,0	35,0	45	38	24390.0084
14	M 5	40	10,0	24,5	4,0	3,0	35,0	45	39	24390.0089
14	M 6	12	10,0	24,5	4,0	3,0	35,0	45	37	24390.0134
14	M 6	16	10,0	24,5	4,0	3,0	35,0	45	37	24390.0144
14	M 6	20	10,0	24,5	4,0	3,0	35,0	45	38	24390.0154
14	M 6	25	10,0	24,5	4,0	3,0	35,0	45	39	24390.0164
14	M 6	32	10,0	24,5	4,0	3,0	35,0	45	40	24390.0174
14	M 6	40	10,0	24,5	4,0	3,0	35,0	45	41	24390.0184
14	M 6	50	10,0	24,5	4,0	3,0	35,0	45	43	24390.0194
18	M 8	16	13,5	31,0	6,5	3,0	45,0	62	74	24390.0334
18	M 8	20	13,5	31,0	6,5	3,0	45,0	62	76	24390.0344
18	M 8	25	13,5	31,0	6,5	3,0	45,0	62	77	24390.0354
18	M 8	32	13,5	31,0	6,5	3,0	45,0	62	79	24390.0364
18	M 8	40	13,5	31,0	6,5	3,0	45,0	62	81	24390.0374
18	M 8	50	13,5	31,0	6,5	3,0	45,0	62	84	24390.0384
18	M 8	63	13,5	31,0	6,5	3,0	45,0	62	89	24390.0394
22	M10	20	16,0	36,0	8,0	3,5	52,0	74	128	24390.0444
22	M10	25	16,0	36,0	8,0	3,5	52,0	74	130	24390.0454
22	M10	32	16,0	36,0	8,0	3,5	52,0	74	134	24390.0464
22	M10	40	16,0	36,0	8,0	3,5	52,0	74	138	24390.0474
22	M10	50	16,0	36,0	8,0	3,5	52,0	74	143	24390.0484
22	M10	63	16,0	36,0	8,0	3,5	52,0	74	148	24390.0489
22	M10	80	16,0	36,0	8,0	3,5	52,0	74	157	24390.0494
25	M12	25	19,0	43,0	11,0	4,0	63,0	89	205	24390.0544
25	M12	32	19,0	43,0	11,0	4,0	63,0	89	209	24390.0554
25	M12	40	19,0	43,0	11,0	4,0	63,0	89	215	24390.0564
25	M12	50	19,0	43,0	11,0	4,0	63,0	89	222	24390.0574
25	M12	63	19,0	43,0	11,0	4,0	63,0	89	232	24390.0584

d <sub>1</sub>	d <sub>2</sub>	l <sub>1</sub>	d <sub>3</sub>	Abmessungen					l <sub>2</sub>	[g]	Art.-Nr.
				h <sub>1</sub>	h <sub>2</sub>	h <sub>3</sub>	h <sub>4</sub>	[mm]			
25	M12	80	19,0	43,0	11,0	4,0	63,0	89	240	24390.0594	
30	M16	32	23,0	50,5	12,0	5,0	76,0	108	348	24390.0644	
30	M16	40	23,0	50,5	12,0	5,0	76,0	108	357	24390.0654	
30	M16	50	23,0	50,5	12,0	5,0	76,0	108	370	24390.0664	
30	M16	63	23,0	50,5	12,0	5,0	76,0	108	386	24390.0674	
30	M16	80	23,0	50,5	12,0	5,0	76,0	108	407	24390.0684	

### Anwendungsbeispiel



### Compliance

#### RoHS-konform

Enthält Blei – Konform gemäß den Ausnahmen 6a / 6b / 6c.

#### Enthält SVHC-Stoffe >0,1% w/w

Enthält Blei – SVHC Liste [REACH] Stand 23.01.2024.

#### Enthält Proposition 65 Stoffe



Blei kann bei Exposition zu Krebs und Fortpflanzungsschäden führen.

<https://www.P65Warnings.ca.gov/>

#### Frei von Konfliktmineralien

Dieses Produkt enthält keine als "Konfliktmineralien" bezeichneten Stoffe wie Tantal, Zinn, Gold oder Wolfram aus der demokratischen Republik Kongo oder angrenzender Länder.